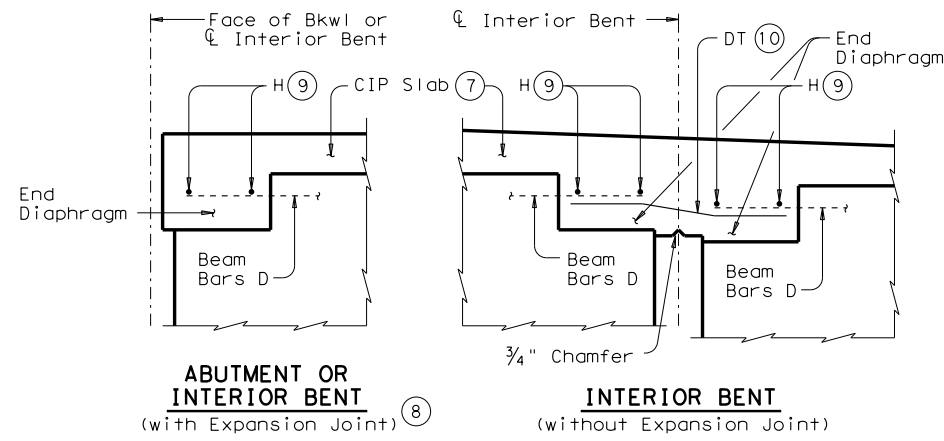


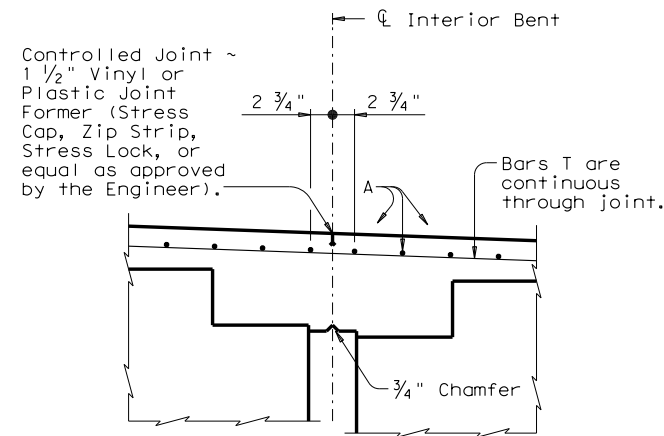
DISCLAIMER: The use of this standard is governed by the "Texas Engineering Practice Act". No warranty of any kind is made by TxDOT for any purpose whatsoever. TxDOT assumes no responsibility for the conversion of this standard to other formats or for incorrect results or damages resulting from its use.

DATE: FILE:



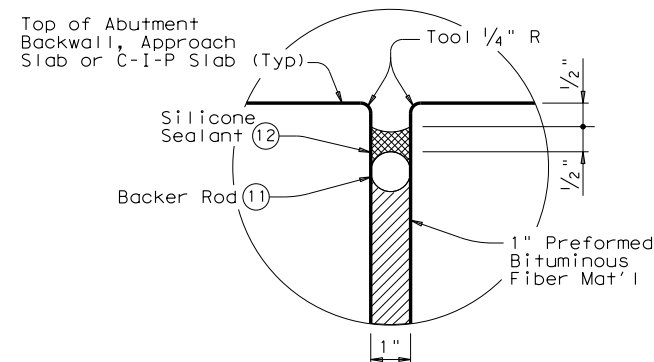
TYPICAL END DIAPHRAGM SECTIONS

(along centerline of Box Beam)



CONTINUOUS SLAB DETAIL

(Diaphragm reinforcing not shown for clarity)



TYPE A JOINT DETAIL 5

TABLE OF ESTIMATED QUANTITIES

SPAN LENGTH	SHEAR KEY	REINF CONC SLAB (BOX BEAM)	PRESTR CONCRETE BOX BEAMS (TY 5B20) (13)	TOTAL REINF STEEL (14)
FT	CY	SF	LF	Lb
30	4.0	905	177.00	1,810
35	4.6	1,056	207.00	2,112
40	5.3	1,207	237.00	2,414
45	6.0	1,357	267.00	2,714
50	6.6	1,508	297.00	3,016
55	7.3	1,659	327.00	3,318
60	8.0	1,810	357.00	3,620
65	8.6	1,961	387.00	3,922

- 5 If using Type A expansion joints, the maximum distance between joints is 100 ft.
- 7 Slab reinforcing omitted for clarity.
- 8 See Bridge Layout for Joint type.
- 9 Provide 1 1/2" end cover to Bars H. After all beams have been placed, weld one Bar H to two Bars D at each end of all beams.
- 10 Lap Bars DT 9" Min with each Beam Bar D at Interior Bents without Expansion Joints. Bars DT shown bent for clarity only.
- 11 Backer rod must be 25% larger than joint opening and must be compatible with the sealant.
- 12 Use Class 7 silicone sealant. Prepare joint and seal in accordance with Item 438 "Cleaning and Sealing Joints".
- 13 Fabricator must adjust beam lengths for beam slopes as required.
- 14 Reinforcing steel weight is based on an approximate factor of 2.0 lbs per square foot of slab.

Texas Department of Transportation
 Bridge Division Standard

PRESTRESSED CONCRETE BOX BEAM SPANS
TYPE B20 28' RDWY (WITH SLAB)
SBBS-B20-28

FILE: bbstds33.dgn	DN: TxDOT	CK: TxDOT	DW: TxDOT	CK: TxDOT
©TxDOT December, 2006	CONT	SECT	JOB	HIGHWAY
REVISIONS				
01-12: Cover	DIST		COUNTY	SHEET NO.
10-15: Table of Est Quantities, Notes.				