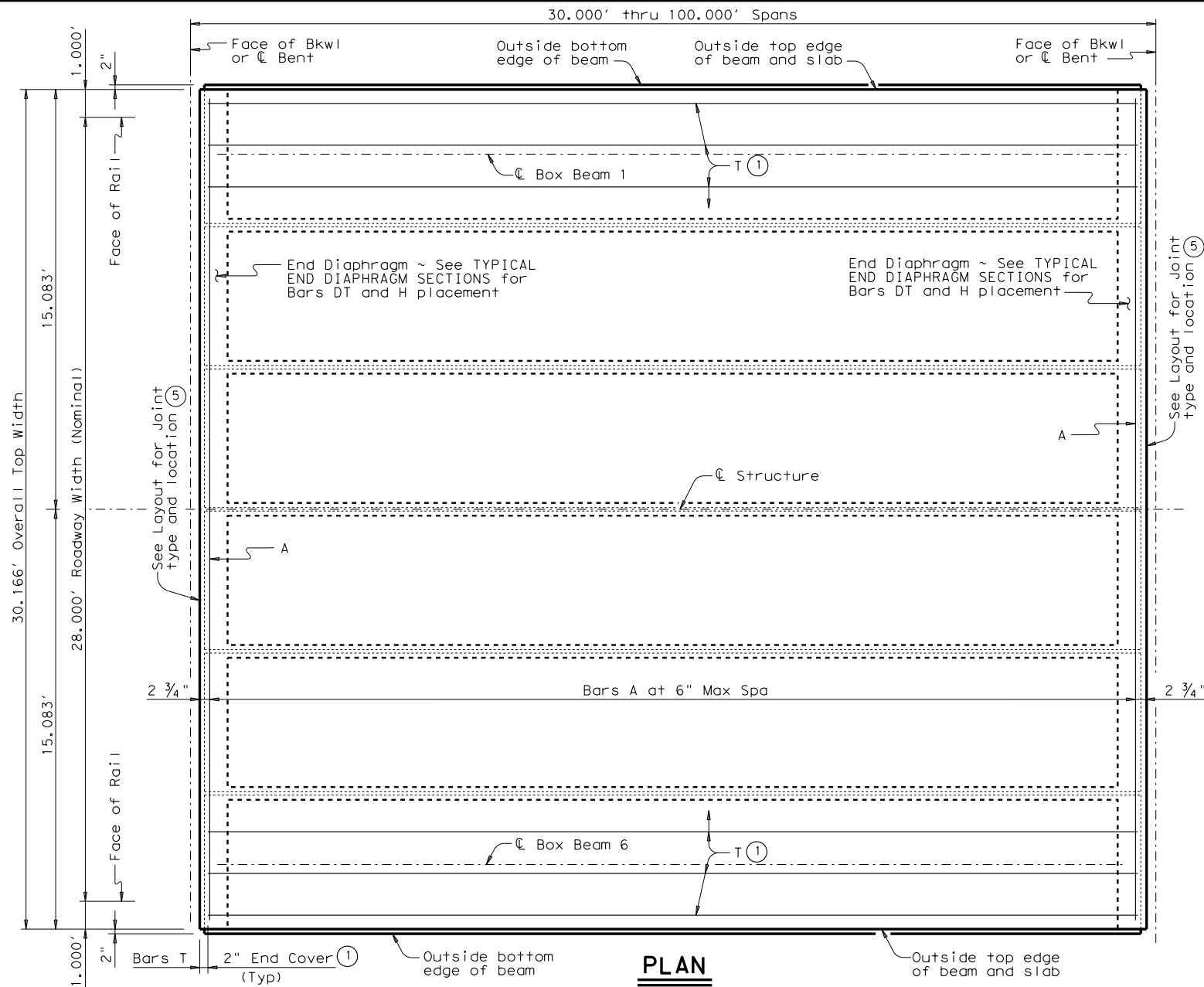
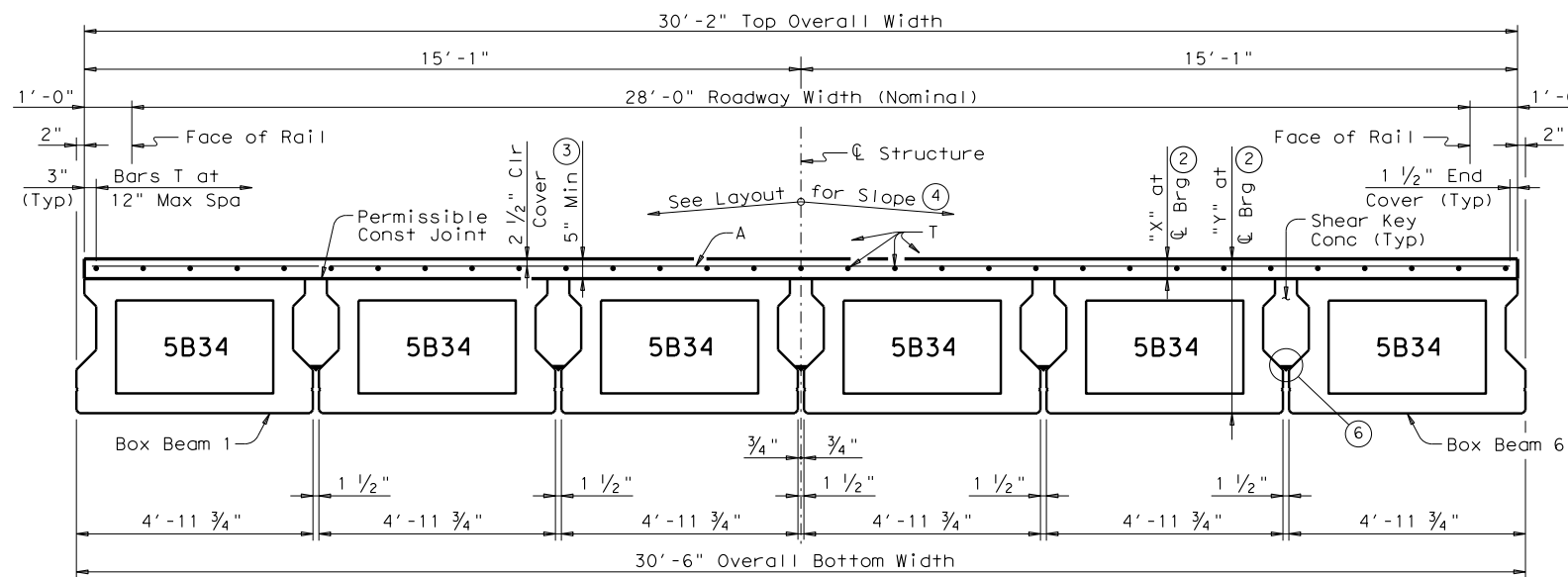


DISCLAIMER: The use of this standard is governed by the "Texas Engineering Practice Act". No warranty of any kind is made by TxDOT for any purpose whatsoever. TxDOT assumes no responsibility for the conversion of this standard to other formats or for incorrect results or damages resulting from its use.

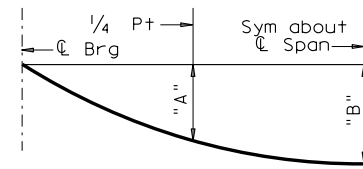
DATE: FILE:



**PLAN**



**TYPICAL TRANSVERSE SECTION**



Note: Deflections shown are due to shear key and concrete slab only, ( $E_c = 5 \times 10^3$  ksi). Calculated deflections shown are theoretical and actual dimension may be less. Deflections may be adjusted based on field observation.

**DEAD LOAD DEFLECTION DIAGRAM**

**BAR TABLE**

BAR	SIZE
A	#4
DT	#4
H	#5
T	#4

**TABLE OF DEFLECTIONS AND SECTION DEPTHS**

SPAN LENGTH (FT)	BEAM NO.	POINT	DEAD LOAD DEFLECTIONS (FT)			SECTION DEPTHS	
			SHEAR KEY	SLAB	TOTAL	"X" AT C BRG (2)	"Y" AT C BRG (2)
30	ALL	"A"	0.000	0.000	0.000	5"	3'-3"
		"B"	0.000	0.001	0.001		
35	ALL	"A"	0.000	0.001	0.001	5 1/4"	3'-3 1/4"
		"B"	0.000	0.001	0.001		
40	ALL	"A"	0.001	0.002	0.003	5 1/4"	3'-3 1/4"
		"B"	0.001	0.002	0.003		
45	ALL	"A"	0.001	0.003	0.004	5 1/4"	3'-3 1/4"
		"B"	0.001	0.003	0.004		
50	ALL	"A"	0.002	0.003	0.005	5 1/4"	3'-3 1/4"
		"B"	0.003	0.005	0.008		
55	ALL	"A"	0.003	0.005	0.008	5 1/4"	3'-3 1/4"
		"B"	0.004	0.007	0.011		
60	ALL	"A"	0.004	0.007	0.011	5 1/4"	3'-3 1/4"
		"B"	0.005	0.010	0.015		
65	ALL	"A"	0.005	0.010	0.015	5 1/4"	3'-3 1/4"
		"B"	0.007	0.014	0.021		
70	ALL	"A"	0.007	0.014	0.021	5 1/2"	3'-3 1/2"
		"B"	0.010	0.019	0.029		
75	ALL	"A"	0.009	0.018	0.027	5 3/4"	3'-3 3/4"
		"B"	0.013	0.025	0.038		
80	ALL	"A"	0.012	0.023	0.035	6"	3'-4"
		"B"	0.019	0.031	0.050		
85	ALL	"A"	0.017	0.028	0.045	6 1/4"	3'-4 1/4"
		"B"	0.024	0.040	0.064		
90	ALL	"A"	0.021	0.036	0.057	6 1/2"	3'-4 1/2"
		"B"	0.030	0.050	0.080		
95	ALL	"A"	0.027	0.045	0.072	6 3/4"	3'-4 3/4"
		"B"	0.037	0.063	0.100		
100	ALL	"A"	0.033	0.055	0.088	6 3/4"	3'-4 3/4"
		"B"	0.046	0.077	0.123		

- ① If multi-span units (with slab continuous over Interior Bents) are indicated on the Bridge Layout, Bars T must be continuous through joint. See Continuous Slab Detail.
- ② Based on theoretical beam camber, dead load deflections of 5" Cast-in-place slab, shear key dead load and a constant grade. The contractor must adjust these values for any vertical curve.
- ③ Slab thickness at midspan of Beams may not exceed 7 inches.
- ④ This standard does not provide for changes in roadway cross slopes within the structure.
- ⑤ If using Type A expansion joints, the maximum distance between joints is 100 feet.
- ⑥ Form bottom of shear keys with foam backer rod or other material acceptable to the Engineer.

**GENERAL NOTES:**

Designed according to AASHTO LRFD Specifications.  
 Provide Class S concrete ( $f'_c = 4,000$  psi) for slab and shear key. Provide Class S (HPC) concrete if shown elsewhere in the plans.  
 All reinforcing must be Grade 60.  
 Two-span or three-span units, with the slab continuous over Interior Bents, may be formed with the details on this standard. Unit Length cannot exceed 3.5 times length of the shortest end span.  
 Bar laps, where required, will be as follows:  
 Uncoated ~ #4 = 1'-5"  
 Epoxy coated ~ #4 = 2'-1"  
 It is recommended, with crown cross-slope, to erect beams adjacent to crown point first. For structures without a crown point, it is recommended to erect beams on the high side of cross-slope first and progress to the low side.  
 This sheet does not support the use of Transition Bents.  
 See railing details and standard BBRAS for rail anchorage.

HL93 LOADING SHEET 1 OF 2

**Texas Department of Transportation** Bridge Division Standard

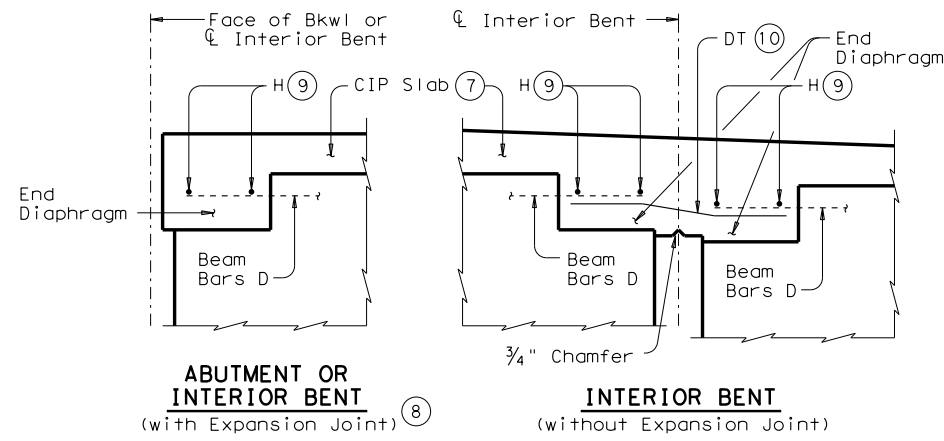
**PRESTRESSED CONCRETE BOX BEAM SPANS**  
**TYPE B34 28' RDWY**  
**(WITH SLAB)**

**SBBS-B34-28**

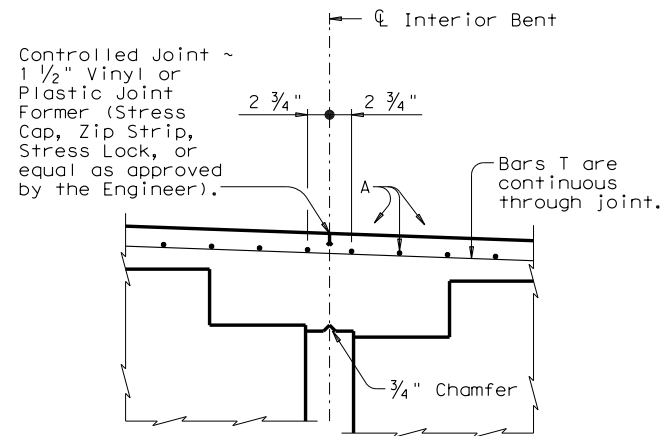
FILE: bbstds37.dgn	DN: TxDOT	CK: TxDOT	DW: TxDOT	CK: TxDOT
©TxDOT December, 2006	CONT	SECT	JOB	HIGHWAY
REVISIONS				
01-12: Cover				
10-15: Table of Est Quantities, Notes.	DIST	COUNTY	SHEET NO.	

DISCLAIMER: The use of this standard is governed by the "Texas Engineering Practice Act". No warranty of any kind is made by TxDOT for any purpose whatsoever. TxDOT assumes no responsibility for the conversion of this standard to other formats or for incorrect results or damages resulting from its use.

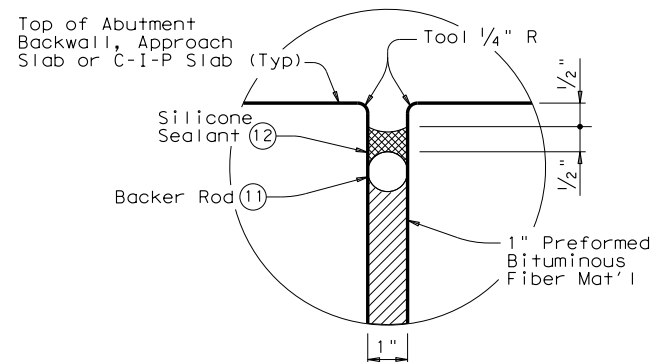
DATE: FILE:



**TYPICAL END DIAPHRAGM SECTIONS**  
 (along centerline of Box Beam)



**CONTINUOUS SLAB DETAIL**  
 (Diaphragm reinforcing not shown for clarity)



**TYPE A JOINT DETAIL ⑤**

**TABLE OF ESTIMATED QUANTITIES**

SPAN LENGTH	SHEAR KEY	REINF CONC SLAB (BOX BEAM)	PRESTR CONCRETE BOX BEAMS (TY 5B34) ⑬	TOTAL REINF STEEL ⑭
FT	CY	SF	LF	Lb
30	7.9	905	177.00	1,810
35	9.3	1,056	207.00	2,112
40	10.6	1,207	237.00	2,414
45	12.0	1,357	267.00	2,714
50	13.3	1,508	297.00	3,016
55	14.7	1,659	327.00	3,318
60	16.0	1,810	357.00	3,620
65	17.4	1,961	387.00	3,922
70	18.7	2,112	417.00	4,224
75	20.0	2,262	447.00	4,524
80	21.4	2,413	477.00	4,826
85	22.7	2,564	507.00	5,128
90	24.1	2,715	537.00	5,430
95	25.4	2,866	567.00	5,732
100	26.8	3,017	597.00	6,034

- ⑤ If using Type A expansion joints, the maximum distance between joints is 100 ft.
- ⑦ Slab reinforcing omitted for clarity.
- ⑧ See Bridge Layout for Joint type.
- ⑨ Provide 1 1/2\" end cover to Bars H. After all beams have been placed, weld one Bar H to two Bars D at each end of all beams.
- ⑩ Lap Bars DT 9\" Min with each Beam Bar D at Interior Bents without Expansion Joints. Bars DT shown bent for clarity only.
- ⑪ Backer rod must be 25% larger than joint opening and must be compatible with the sealant.
- ⑫ Use Class 7 silicone sealant. Prepare joint and seal in accordance with Item 438 "Cleaning and Sealing Joints".
- ⑬ Fabricator must adjust beam lengths for beam slopes as required.
- ⑭ Reinforcing steel weight is based on an approximate factor of 2.0 lbs per square foot of slab.

HL93 LOADING SHEET 2 OF 2

Texas Department of Transportation
Bridge Division Standard

PRESTRESSED CONCRETE BOX BEAM SPANS  
 TYPE B34 28' RDWY (WITH SLAB)

SBBS-B34-28

FILE: bbstds37.dgn	DN: TxDOT	CK: TxDOT	DW: TxDOT	CK: TxDOT
©TxDOT December, 2006	CONT	SECT	JOB	HIGHWAY
REVISIONS				
01-12: Cover				
10-15: Table of Est Quantities, Notes.	DIST	COUNTY	SHEET NO.	