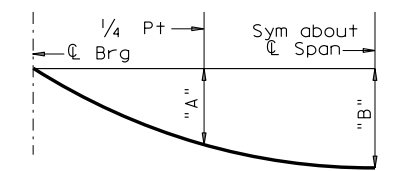
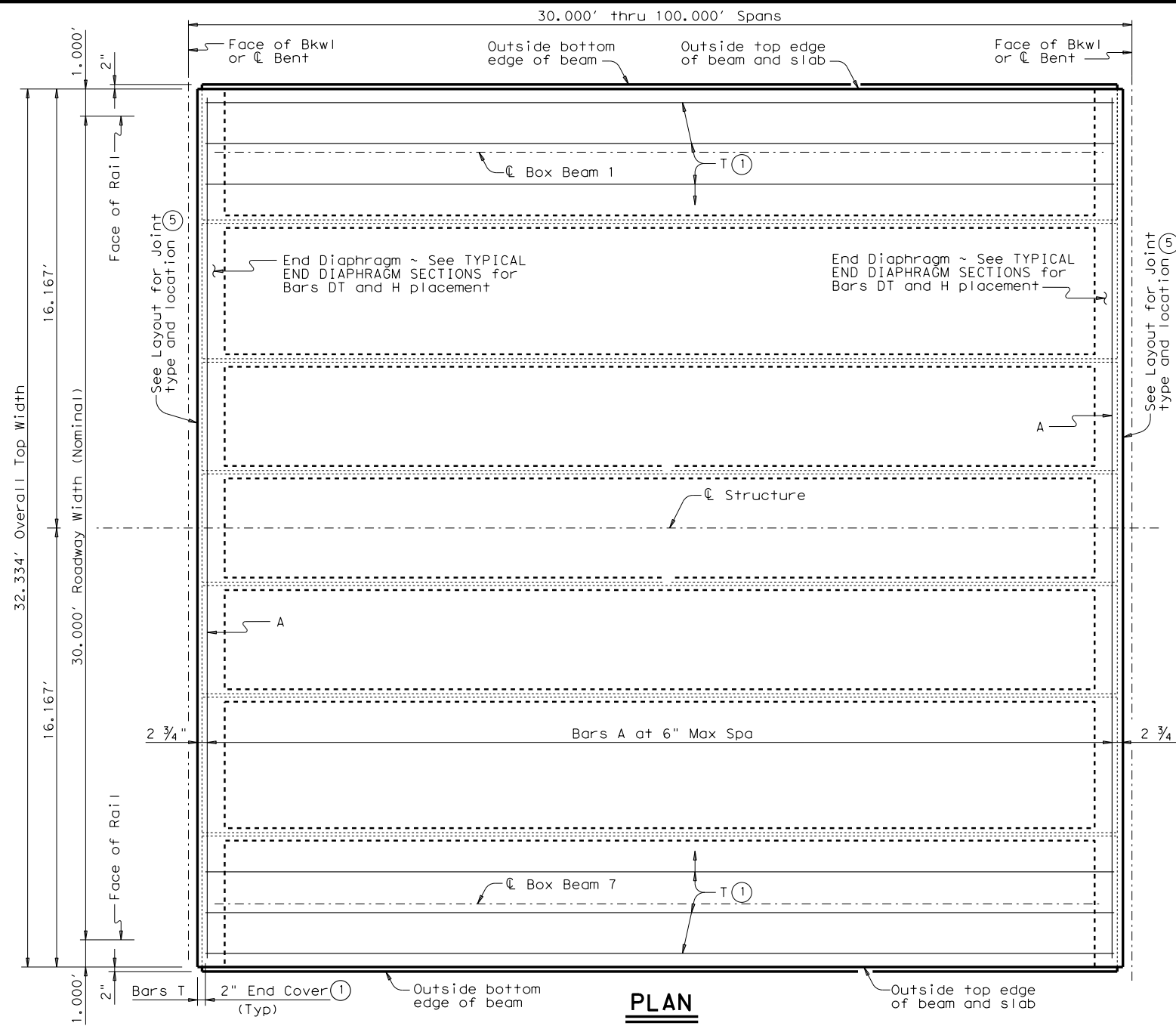


DISCLAIMER: The use of this standard is governed by the "Texas Engineering Practice Act". No warranty of any kind is made by TxDOT for any purpose whatsoever. TxDOT assumes no responsibility for the conversion of this standard to other formats or for incorrect results or damages resulting from its use.

DATE: FILE:



Note: Deflections shown are due to shear key and concrete slab only, ($E_c = 5 \times 10^3$ ksi). Calculated deflections shown are theoretical and actual dimension may be less. Deflections may be adjusted based on field observation.

DEAD LOAD DEFLECTION DIAGRAM

BAR TABLE

BAR	SIZE
A	#4
DT	#4
H	#5
T	#4

TABLE OF DEFLECTIONS AND SECTION DEPTHS

SPAN LENGTH (FT)	BEAM NO.	POINT	DEAD LOAD DEFLECTIONS (FT)			SECTION DEPTHS	
			SHEAR KEY	SLAB	TOTAL	"X" AT ℓ BRG (2)	"Y" AT ℓ BRG (2)
30	ALL	"A"	0.000	0.000	0.000	5 1/4"	3'-3 1/4"
		"B"	0.000	0.001	0.001	5 1/4"	3'-3 1/4"
35	ALL	"A"	0.001	0.001	0.002	5 1/4"	3'-3 1/4"
		"B"	0.001	0.001	0.002	5 1/4"	3'-3 1/4"
40	ALL	"A"	0.001	0.002	0.003	5 1/4"	3'-3 1/4"
		"B"	0.001	0.002	0.003	5 1/4"	3'-3 1/4"
45	ALL	"A"	0.001	0.003	0.004	5 1/4"	3'-3 1/4"
		"B"	0.002	0.003	0.005	5 1/4"	3'-3 1/4"
50	ALL	"A"	0.002	0.003	0.005	5 1/4"	3'-3 1/4"
		"B"	0.003	0.005	0.008	5 1/4"	3'-3 1/4"
55	ALL	"A"	0.003	0.005	0.008	5 1/4"	3'-3 1/4"
		"B"	0.004	0.007	0.011	5 1/4"	3'-3 1/4"
60	ALL	"A"	0.004	0.007	0.011	5 1/4"	3'-3 1/4"
		"B"	0.006	0.010	0.016	5 1/4"	3'-3 1/4"
65	ALL	"A"	0.006	0.010	0.016	5 1/2"	3'-3 1/2"
		"B"	0.009	0.014	0.023	5 1/2"	3'-3 1/2"
70	ALL	"A"	0.008	0.014	0.022	5 3/4"	3'-3 3/4"
		"B"	0.012	0.019	0.031	5 3/4"	3'-3 3/4"
75	ALL	"A"	0.011	0.018	0.029	5 3/4"	3'-3 3/4"
		"B"	0.017	0.024	0.041	5 3/4"	3'-3 3/4"
80	ALL	"A"	0.016	0.022	0.038	6"	3'-4"
		"B"	0.023	0.031	0.054	6"	3'-4"
85	ALL	"A"	0.021	0.028	0.049	6 1/2"	3'-4 1/2"
		"B"	0.029	0.039	0.068	6 1/2"	3'-4 1/2"
90	ALL	"A"	0.026	0.035	0.061	6 1/2"	3'-4 1/2"
		"B"	0.037	0.050	0.087	6 1/2"	3'-4 1/2"
95	ALL	"A"	0.033	0.044	0.077	7"	3'-5"
		"B"	0.046	0.062	0.108	7"	3'-5"
100	ALL	"A"	0.040	0.054	0.094	7"	3'-5"
		"B"	0.056	0.076	0.132	7"	3'-5"

- ① If multi-span units (with slab continuous over Interior Bents) are indicated on the Bridge Layout, Bars T must be continuous through joint. See Continuous Slab Detail.
- ② Based on theoretical beam camber, dead load deflections of 5" Cast-in-place slab, shear key dead load and a constant grade. The contractor must adjust these values for any vertical curve.
- ③ Slab thickness at midspan of Beams may not exceed 7 inches.
- ④ This standard does not provide for changes in roadway cross slopes within the structure.
- ⑤ If using Type A expansion joints, the maximum distance between joints is 100 feet.
- ⑥ Form bottom of shear keys with foam backer rod or other material acceptable to the Engineer.

GENERAL NOTES:

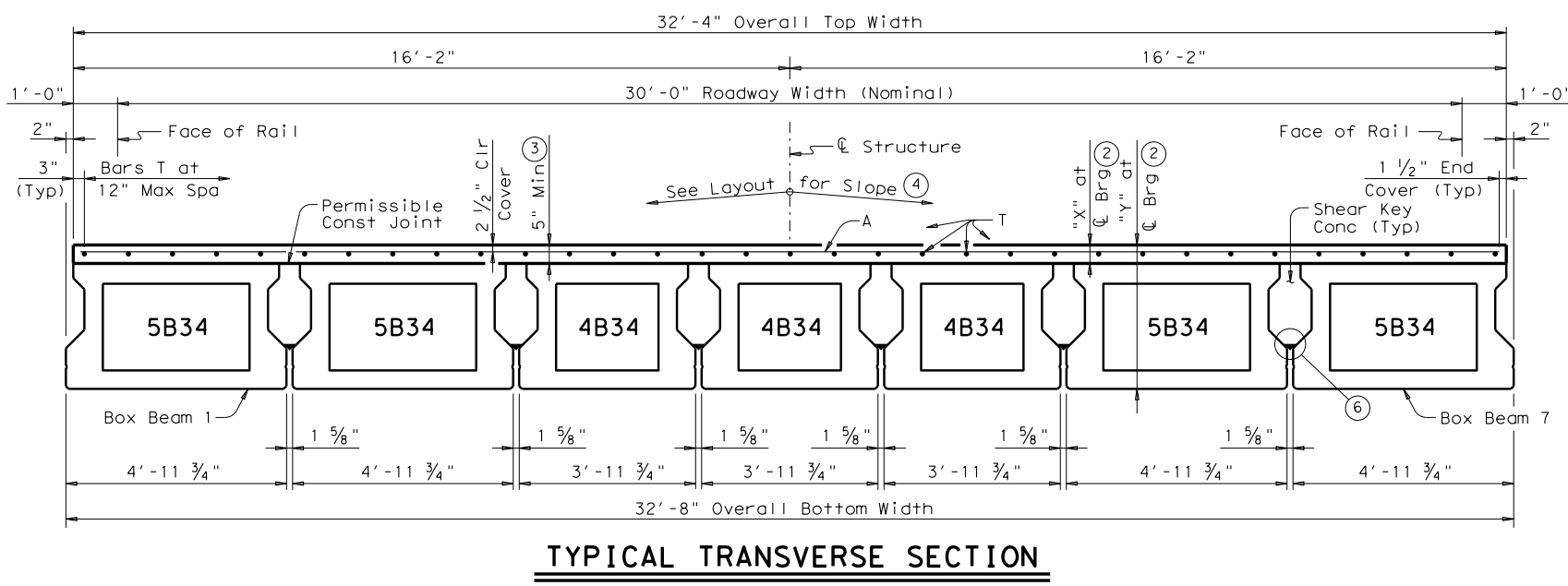
Designed according to AASHTO LRFD Specifications.
 Provide Class S concrete ($f'_c = 4,000$ psi) for slab and shear key. Provide Class S (HPC) concrete if shown elsewhere in the plans.
 All reinforcing must be Grade 60.
 Two-span or three-span units, with the slab continuous over Interior Bents, may be formed with the details on this standard. Unit Length cannot exceed 3.5 times length of the shortest end span.
 Bar laps, where required, will be as follows:
 Uncoated ~ #4 = 1'-5"
 Epoxy coated ~ #4 = 2'-1"
 It is recommended, with crown cross-slope, to erect beams adjacent to crown point first. For structures without a crown point, it is recommended to erect beams on the high side of cross-slope first and progress to the low side.
 This sheet does not support the use of Transition Bents.
 See railing details and standard BBRAS for rail anchorage.

HL93 LOADING SHEET 1 OF 2

Texas Department of Transportation Bridge Division Standard

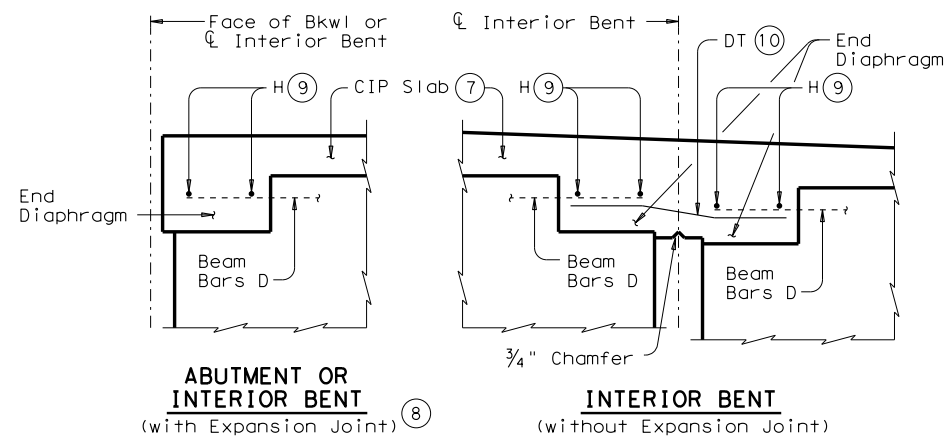
PRESTRESSED CONCRETE BOX BEAM SPANS
 TYPE B34 30' RDWY (WITH SLAB)
 SBBS-B34-30

FILE: bbstas1.dgn	DN: TxDOT	CK: TxDOT	DW: TxDOT	CK: TxDOT
©TxDOT December, 2006	CONT	SECT	JOB	HIGHWAY
REVISIONS				
01-12: Cover	DIST	COUNTY	SHEET NO.	
10-15: Table of Est Quantities, Notes.				

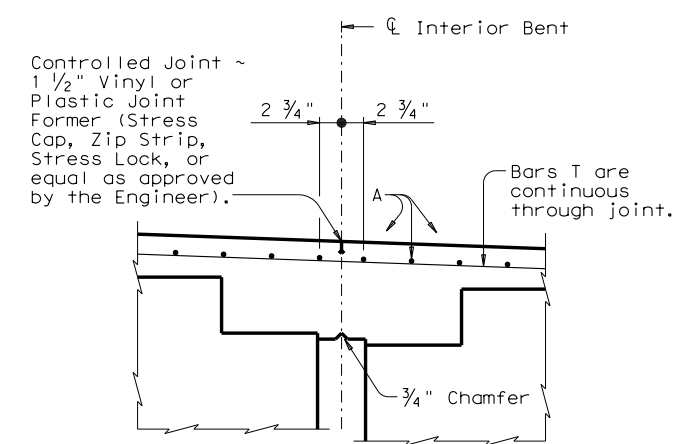


DISCLAIMER: The use of this standard is governed by the "Texas Engineering Practice Act". No warranty of any kind is made by TxDOT for any purpose whatsoever. TxDOT assumes no responsibility for the conversion of this standard to other formats or for incorrect results or damages resulting from its use.

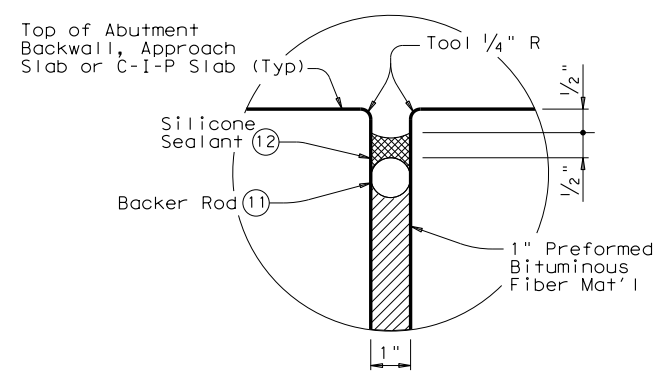
DATE: FILE:



TYPICAL END DIAPHRAGM SECTIONS
 (along centerline of Box Beam)



CONTINUOUS SLAB DETAIL
 (Diaphragm reinforcing not shown for clarity)



TYPE A JOINT DETAIL (5)

TABLE OF ESTIMATED QUANTITIES					
SPAN LENGTH	SHEAR KEY	REINF CONC SLAB (BOX BEAM)	PRESTR CONCRETE BOX BEAMS (TY 4B34) (13)	PRESTR CONCRETE BOX BEAMS (TY 5B34) (13)	TOTAL REINF STEEL (14)
FT	CY	SF	LF	LF	Lb
30	9.5	970	88.50	118.00	1,940
35	11.1	1,132	103.50	138.00	2,264
40	12.8	1,293	118.50	158.00	2,586
45	14.4	1,455	133.50	178.00	2,910
50	16.0	1,617	148.50	198.00	3,234
55	17.6	1,778	163.50	218.00	3,556
60	19.2	1,940	178.50	238.00	3,880
65	20.8	2,102	193.50	258.00	4,204
70	22.4	2,263	208.50	278.00	4,526
75	24.1	2,425	223.50	298.00	4,850
80	25.7	2,587	238.50	318.00	5,174
85	27.3	2,748	253.50	338.00	5,496
90	28.9	2,910	268.50	358.00	5,820
95	30.5	3,072	283.50	378.00	6,144
100	32.1	3,233	298.50	398.00	6,466

- (5) If using Type A expansion joints, the maximum distance between joints is 100 ft.
- (7) Slab reinforcing omitted for clarity.
- (8) See Bridge Layout for Joint type.
- (9) Provide 1 1/2" end cover to Bars H. After all beams have been placed, weld one Bar H to two Bars D at each end of all beams.
- (10) Lap Bars DT 9" Min with each Beam Bar D at Interior Bents without Expansion Joints. Bars DT shown bent for clarity only.
- (11) Backer rod must be 25% larger than joint opening and must be compatible with the sealant.
- (12) Use Class 7 silicone sealant. Prepare joint and seal in accordance with Item 438 "Cleaning and Sealing Joints".
- (13) Fabricator must adjust beam lengths for beam slopes as required.
- (14) Reinforcing steel weight is based on an approximate factor of 2.0 lbs per square foot of slab.

		Bridge Division Standard	
PRESTRESSED CONCRETE BOX BEAM SPANS TYPE B34 30' RDWY (WITH SLAB) SBBS-B34-30			
FILE: bbstas1.dgn	DN: TxDOT	CK: TxDOT	DW: TxDOT
©TxDOT December, 2006	CONT	SECT	JOB
REVISIONS 01-12: Cover 10-15: Table of Est Quantities, Notes.		DIST	COUNTY
		SHEET NO.	