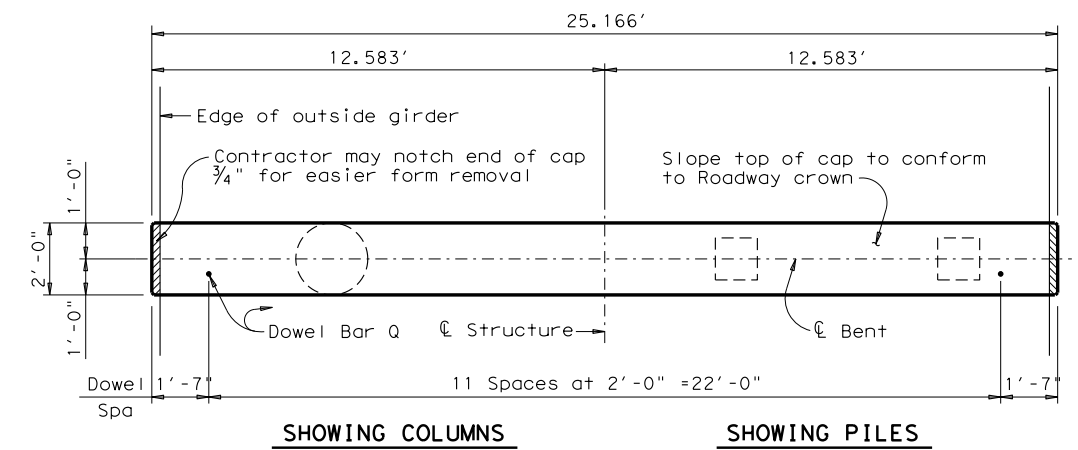
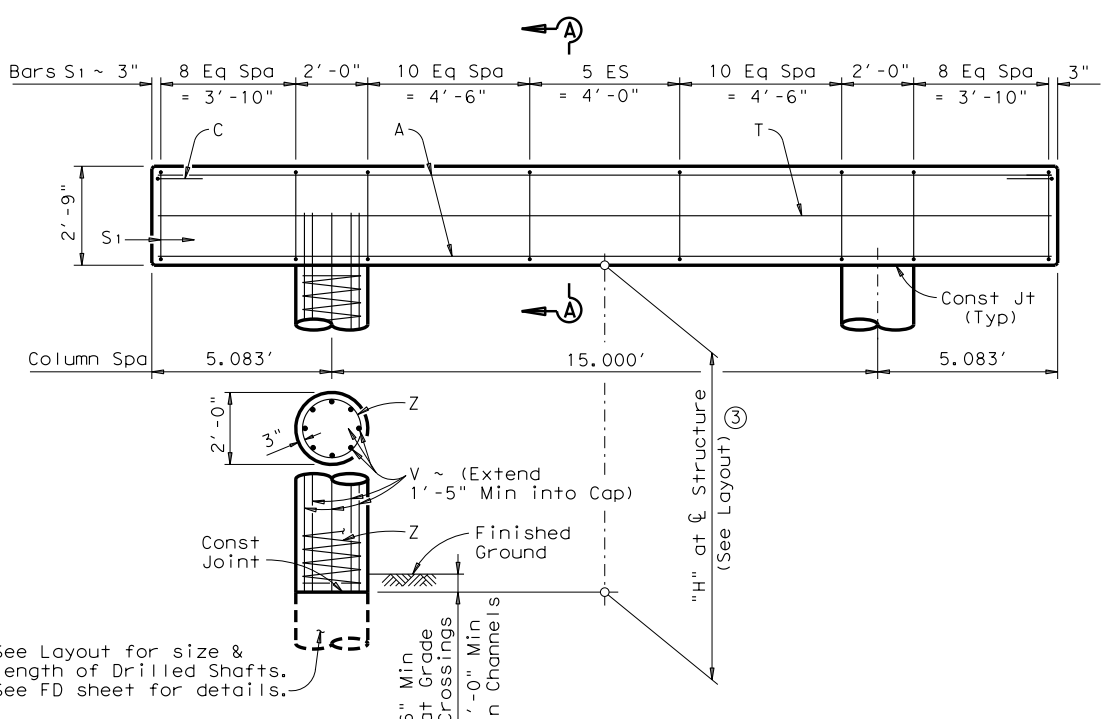


DISCLAIMER: The use of this standard is governed by the "Texas Engineering Practice Act". No warranty of any kind is made by TxDOT for any purpose whatsoever. TxDOT assumes no responsibility for the conversion of this standard to other formats or for incorrect results or damages resulting from its use.

DATE: FILE:

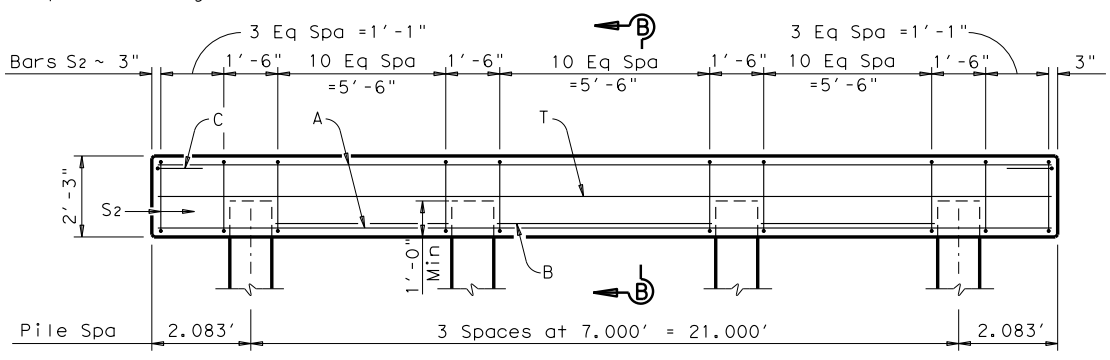


PLAN

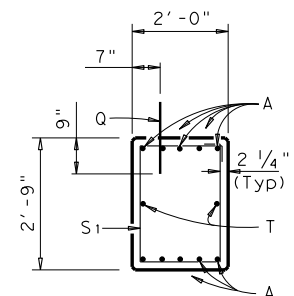


ELEVATION ~ 2 COLUMN BENT

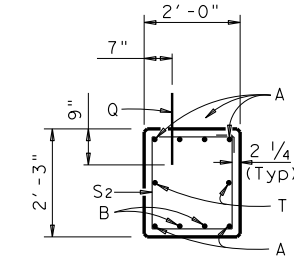
Note: For piling larger than 16", adjust bars S and/or strip back piling as required to clear cap reinforcing.



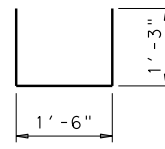
ELEVATION ~ 4 PILE BENT



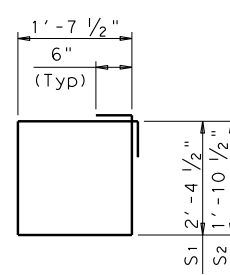
SECTION A-A



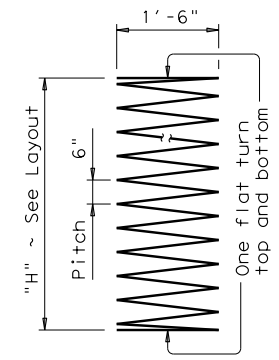
SECTION B-B



BARS C



BARS S



BARS Z

Pile Type		Max Ht
Concrete	Steel	Ft
16" Sq	HP14x73	16
18" Sq	HP14x117	20

2 COLUMN BENT				
Bar	No.	Size	Length	Weight
A	10	#11	24'-10"	1,319
C	2	# 5	4'- 0"	8
Q	12	# 6	1'-6"	27
S <sub>1</sub>	44	# 5	9'-0"	413
T	2	# 5	24'-10"	52
Reinforcing Steel			Lb	1,819
Class "C" Concrete			CY	5.1

4 PILE BENT				
Bar	No.	Size	Length	Weight
A	6	#11	24'-10"	792
B	6	#11	5'-6"	175
C	2	# 5	4'-0"	8
Q	12	# 6	1'-6"	27
S <sub>2</sub>	41	# 5	8'-0"	342
T	2	# 5	24'-10"	52
Reinforcing Steel			Lb	1,396
Class "C" Concrete			CY	4.2

"H"	Class "C" Conc (Cols)	Bars V 16 ~ #7	Bars Z 2 ~ #3 Spiral
Ft	CY	Length	Weight
24	5.6	25'-5"	831
			237'
			178

Reinf Steel	Class "C" Conc
Lb	CY
2,828	10.7

- Adjust Bars V length by 1 Ft and Bars Z length by 9.4777 Ft for each linear foot of variation in "H" value.
- Adjust Reinforcing Steel Total by 40 Lbs and Class "C" Conc by 0.2328 CY for each linear foot of variation in "H" value.
- This standard may not be used for "H" heights or exposed pile heights exceeding the values shown in the tables. In areas of very soft soil or where scour is anticipated, allowable "H" heights or exposed pile heights shall be evaluated by the Engineer prior to the use of this standard.
- When HP14x117 steel piling is specified in the plans, the Contractor has the option of furnishing either HP14x117 or HP16x101 steel piling.

**GENERAL NOTES:**  
 Designed according to AASHTO LRFD Specifications.  
 All cap reinforcing shall be Grade 60.  
 Column and drilled shaft reinforcing may be Grade 40.  
 Concrete strength f'c = 3,600 psi.  
 See Layout for foundation type, size and length.  
 See standard FD for foundation details and notes.  
 Concrete Slab and Girder Bents do not support the use of multi-pile footings as shown on the FD standard.  
 For usual soil and construction conditions, forms may be supported from the sides of bent caps if one of the following is satisfied:  
 1) For column bents, a maximum "H" height of 24'.  
 2) For pile bents, a maximum exposed pile height of 20'.  
 Calculated Foundation Loads:  
 30'-4" Span = 85 Tons/Drilled Shaft  
                   = 40 Tons/Pile  
 40'-0" Span = 113 Tons/Drilled Shaft  
                   = 54 Tons/Pile

HL93 LOADING

Texas Department of Transportation  
 Bridge Division Standard

**BENTS FOR CONCRETE SLAB AND GIRDER SPANS**

24 FT ROADWAY

BCG-24

FILE: bcg01ste.dgn	DN: TxDOT	CK: TxDOT	DW: TxDOT	CK: TxDOT
©TxDOT October 2005	CONT	SECT	JOB	HIGHWAY
REVISIONS				
02-2012: Piles	DIST	COUNTY	SHEET NO.	