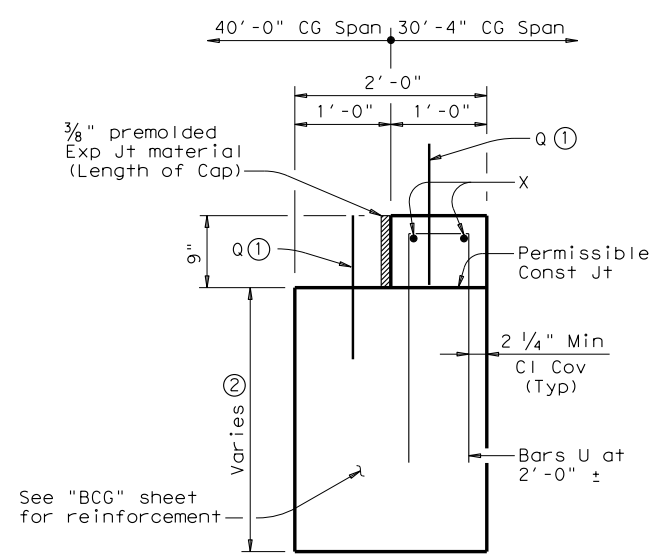


DISCLAIMER: The use of this standard is governed by the "Texas Engineering Practice Act". No warranty of any kind is made by TxDOT for any purpose whatsoever. TxDOT assumes no responsibility for the conversion of this standard to other formats or for incorrect results or damages resulting from its use.

TABLE OF ADDITIONAL ESTIMATED QUANTITIES

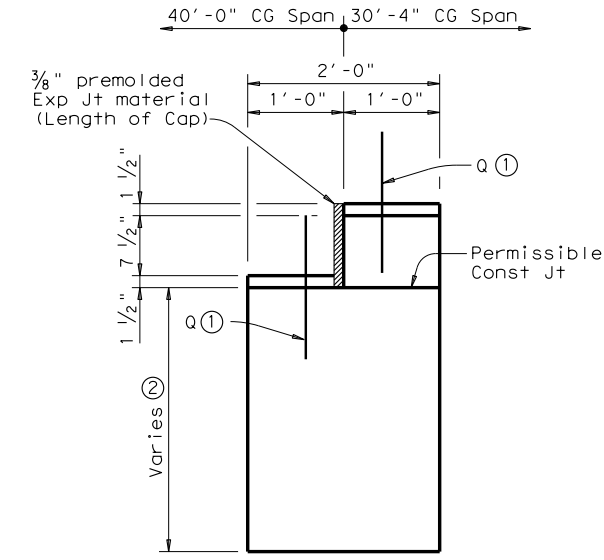
TRANSITION BENT TO BE USED WITH:	STANDARD TO BE MODIFIED	NORMAL					14' 02'					26' 34'					36' 52'					45' 00'				
		Bill of Add'l Quantities					Bill of Add'l Quantities					Bill of Add'l Quantities					Bill of Add'l Quantities					Bill of Add'l Quantities				
		Bar	No.	Size	Length	Weight	Bar	No.	Size	Length	Weight	Bar	No.	Size	Length	Weight	Bar	No.	Size	Length	Weight	Bar	No.	Size	Length	Weight
CG-30-24 CG-40-24	BCG-24	U	14	#4	5'-6"	51	U	14	#4	5'-6"	51	U	16	#4	5'-6"	59	U	18	#4	5'-6"	66	U	20	#4	5'-6"	73
		X	2	#5	24'-10"	52	X	2	#5	26'-0"	54	X	2	#5	28'-8"	60	X	2	#5	32'-6"	68	X	2	#5	37'-0"	77
		Add'l Reinf Steel Lb 103					Add'l Reinf Steel Lb 105					Add'l Reinf Steel Lb 119					Add'l Reinf Steel Lb 134					Add'l Reinf Steel Lb 150				
		Add'l CI "C" Conc CY 0.7					Add'l CI "C" Conc CY 0.7					Add'l CI "C" Conc CY 0.8					Add'l CI "C" Conc CY 0.9					Add'l CI "C" Conc CY 1.0				
CG-30-28 CG-40-28	BCG-28	U	15	#4	5'-6"	55	U	16	#4	5'-6"	59	U	17	#4	5'-6"	62	U	19	#4	5'-6"	70	U	22	#4	5'-6"	81
		X	2	#5	27'-10"	58	X	2	#5	29'-2"	61	X	2	#5	32'-0"	67	X	2	#5	36'-2"	75	X	2	#5	41'-4"	86
		Add'l Reinf Steel Lb 113					Add'l Reinf Steel Lb 120					Add'l Reinf Steel Lb 129					Add'l Reinf Steel Lb 145					Add'l Reinf Steel Lb 167				
		Add'l CI "C" Conc CY 0.8					Add'l CI "C" Conc CY 0.8					Add'l CI "C" Conc CY 0.9					Add'l CI "C" Conc CY 1.0					Add'l CI "C" Conc CY 1.2				
CG-30-30 CG-40-30	BCG-30	U	17	#4	5'-6"	62	U	17	#4	5'-6"	62	U	19	#4	5'-6"	70	U	21	#4	5'-6"	77	U	24	#4	5'-6"	88
		X	2	#5	30'-10"	64	X	2	#5	32'-2"	67	X	2	#5	35'-4"	74	X	2	#5	40'-0"	83	X	2	#5	45'-6"	95
		Add'l Reinf Steel Lb 126					Add'l Reinf Steel Lb 129					Add'l Reinf Steel Lb 144					Add'l Reinf Steel Lb 160					Add'l Reinf Steel Lb 183				
		Add'l CI "C" Conc CY 0.9					Add'l CI "C" Conc CY 0.9					Add'l CI "C" Conc CY 1.0					Add'l CI "C" Conc CY 1.1					Add'l CI "C" Conc CY 1.3				
CG-30-38 CG-40-38	BCG-38	U	21	#4	5'-6"	77	U	22	#4	5'-6"	81	U	24	#4	5'-6"	88	U	27	#4	5'-6"	99	U	31	#4	5'-6"	114
		X	2	#5	39'-10"	83	X	2	#5	41'-6"	87	X	2	#5	45'-6"	95	X	2	#5	51'-4"	107	X	2	#5	58'-4"	122
		Add'l Reinf Steel Lb 160					Add'l Reinf Steel Lb 168					Add'l Reinf Steel Lb 183					Add'l Reinf Steel Lb 206					Add'l Reinf Steel Lb 236				
		Add'l CI "C" Conc CY 1.1					Add'l CI "C" Conc CY 1.2					Add'l CI "C" Conc CY 1.3					Add'l CI "C" Conc CY 1.4					Add'l CI "C" Conc CY 1.6				
CG-30-44 CG-40-44	BCG-44	U	24	#4	5'-6"	88	U	25	#4	5'-6"	92	U	28	#4	5'-6"	103	U	31	#4	5'-6"	114	U	35	#4	5'-6"	129
		X	2	#5	45'-10"	96	X	2	#5	47'-10"	100	X	2	#5	52'-4"	109	X	2	#5	58'-10"	123	X	2	#5	67'-10"	141
		Add'l Reinf Steel Lb 184					Add'l Reinf Steel Lb 192					Add'l Reinf Steel Lb 212					Add'l Reinf Steel Lb 237					Add'l Reinf Steel Lb 270				
		Add'l CI "C" Conc CY 1.3					Add'l CI "C" Conc CY 1.3					Add'l CI "C" Conc CY 1.5					Add'l CI "C" Conc CY 1.6					Add'l CI "C" Conc CY 1.9				



TRANSITION BENT

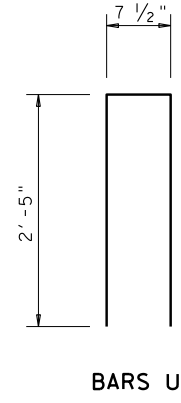
Reinforcing in Cap shall be located as shown on the standard to be modified. See details above for location of bars in pedestal wall of Cap

- ① Dowel Bars Q at fixed end only. See standard for spacing and quantity of Dowel Bars Q.
- ② See standard for depth of Bent Cap.



DETAIL AT SHEAR KEY

(SKEWED BENTS ONLY)
Note: See standard for length and location of Shear Key



BARS U

ERECTION NOTES:
The 30'-4" CG span shall be placed before placing the 40'-0" CG span to avoid excessive bending stress in the piles or columns in transition bent.
Forms for spans may be supported from bent cap under conditions stated on standard to be modified.

GENERAL NOTES:
Details shown are valid for either column bents or piling bents.
For details, dimensions and notes not shown, see Bent standard to be modified.
Total quantities for Transition Bent may be obtained by adding quantities from above table to quantities shown on the Bent standard to be modified.
Bar lengths in excess of 60 ft shown above include a 1'-0" lap.
All reinforcing shall be Grade 60.
Concrete strength f'c = 3,600 psi.

HL93 LOADING

		Bridge Division Standard	
TRANSITION BENTS FOR CONCRETE SLAB AND GIRDER SPANS ALL ROADWAYS			
BCGT			
FILE: bcg26ste.dgn	DN: TxDOT	CK: TxDOT	DW: TxDOT
©TxDOT October 2005	CONT	SECT	JOB
REVISIONS		HIGHWAY	
DIST		COUNTY	
SHEET NO.			

DATE:
FILE: