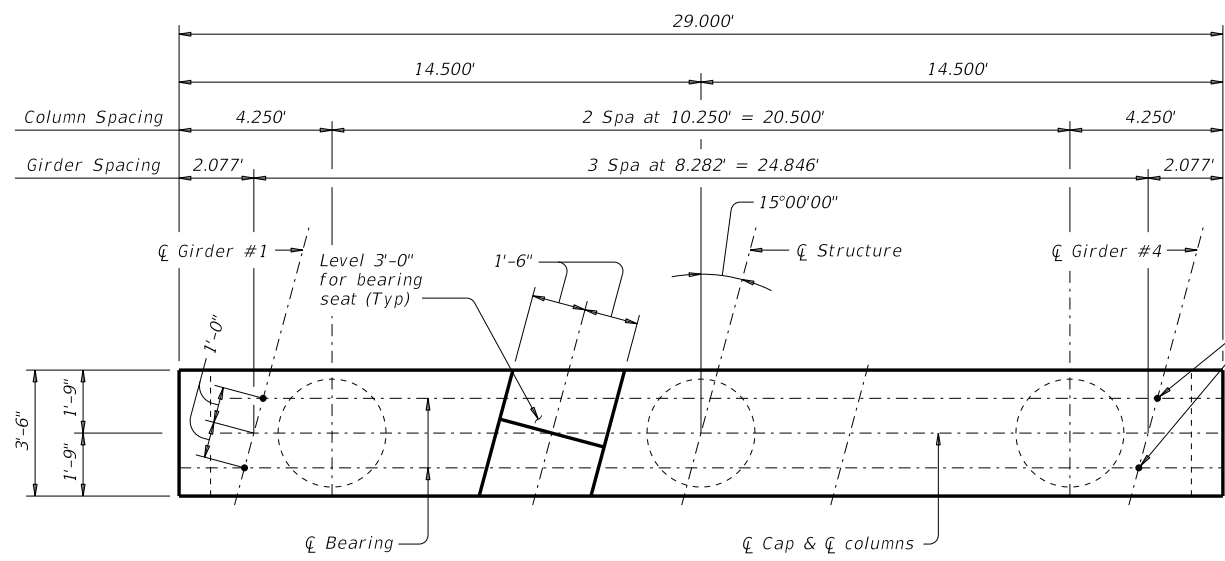
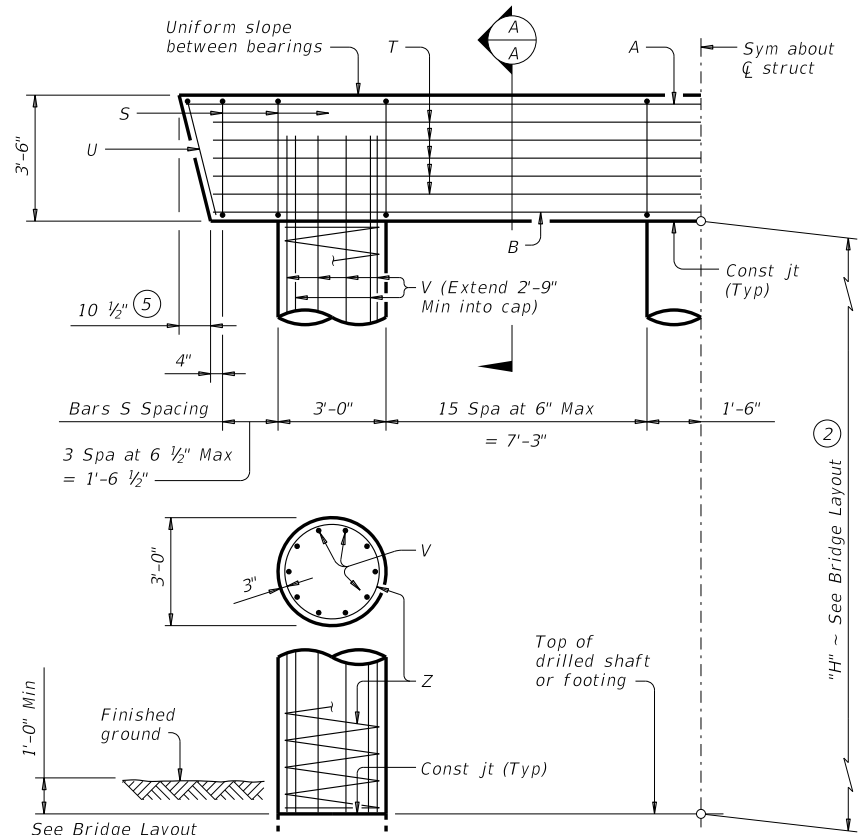


DISCLAIMER: The use of this standard is governed by the "Texas Engineering Practice Act". No warranty of any kind is made by TxDOT for any purpose whatsoever. TxDOT assumes no responsibility for the conversion of this standard to other formats or for incorrect results or damages resulting from its use.

DATE: FILE:

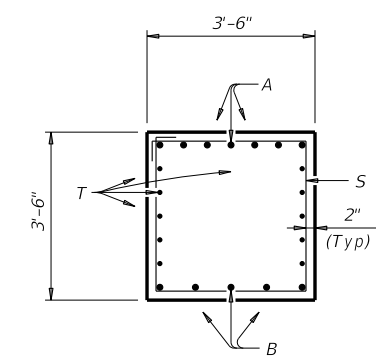


**PLAN**

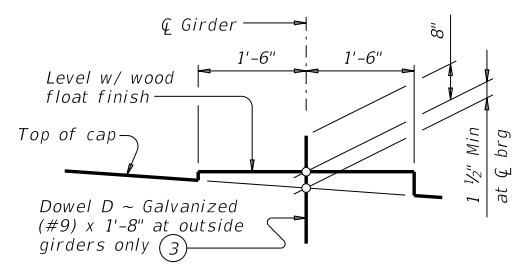


**HALF ELEVATION**

Dowels D (outside girders only) ③

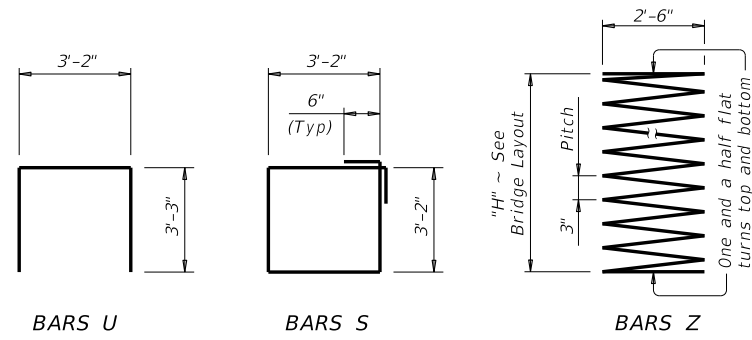


**SECTION A-A**



**BEARING SEAT DETAIL**

(Bearing surface must be clean and free of all loose material before placing bearing pad.)



- ① Quantities shown are based on an "H" value of 36'. For each linear foot variation in "H" value, make the following adjustments:  
 Bars V length, 1'-0"  
 Bars Z length, 31'-5"  
 Reinforcing steel, 165 Lb  
 Class "C" conc (col), 0.78 CY
- ② This standard may not be used for "H" heights exceeding 36'. In areas of very soft soil or where scour is anticipated, allowable "H" heights must be evaluated by the Engineer prior to the use of this standard.
- ③ Omit Dowels D at end of multi-span units. Adjust reinforcing steel total accordingly.
- ④ Foundation loads based on "H" = 36'.
- ⑤ Measured parallel to top of cap cross-slope.

TABLE OF ESTIMATED QUANTITIES ①				
Bar	No.	Size	Length	Weight
A	7	#11	28'- 6"	1,060
B	5	#11	27'- 0"	717
D ③	4	#9	1'- 8"	23
S	40	#5	13'- 8"	570
T	10	#5	27'- 0"	282
U	2	#5	9'- 8"	20
V	30	#9	38'- 9"	3,953
Z	3	#4	1,154'- 7"	2,314
Reinforcing Steel			Lb	8,939
Class "C" Concrete (Cap)			CY	13.0
Class "C" Concrete (Col)			CY	28.3

FOUNDATION LOADS ④				
Span Average	Drilled Shaft Loads	Pile Load (Tons/Pile)		
		3 Pile Ftg	4 Pile Ftg	5 Pile Ftg
Ft	Tons/Shaft			
40	109	40	30	25
45	117	42	32	27
50	125	45	34	28
55	133	48	36	30
60	141	50	38	31
65	149	53	40	33
70	157	56	42	35
75	165	58	44	36
80	172	61	46	38
85	180	63	48	39
90	188	66	50	41
95	196	69	52	42
100	204	71	54	44
105	211	74	56	45
110	219	76	58	47
115	227	79	60	49
120	235	82	62	50
125	242	84	64	52

**GENERAL NOTES:**  
 Designed according to AASHTO LRFD Bridge Design Specifications. See Bridge Layout for foundation type, size and length. See Common Foundation Details (FD) standard sheet for all foundation details and notes. See Shear Key Details (IGSK) standard sheet for all shear key details and notes, if applicable. Bent selected must be based on the average span length rounded up to the next 5 ft increment. Details are drawn showing right forward skew. See Bridge Layout for actual skew direction. These bent details may be used with standard SIG-28-15 only.

Cover dimensions are clear dimensions, unless noted otherwise. Reinforcing bar dimensions shown are out-to-out of bar.

**MATERIAL NOTES:**  
 Provide Class C concrete (f'c = 3,600 psi). Provide Class C (HPC) concrete if shown elsewhere in the plans. Provide Grade 60 reinforcing steel. Galvanize dowel bars D.

HL93 LOADING

		<b>Bridge Division Standard</b>	
<b>INTERIOR BENTS</b> TYPE TX28 THRU TX54 PRESTR CONC I-GIRDERS 28' ROADWAY 15° SKEW <b>BIG-28-15</b>			
FILE: big06sts-17.dgn	DN: TAR	CK: SDB	DW: JTR
©TxDOT August 2017	CONT	SECT	JOB
REVISIONS	COUNTY		SHEET NO.