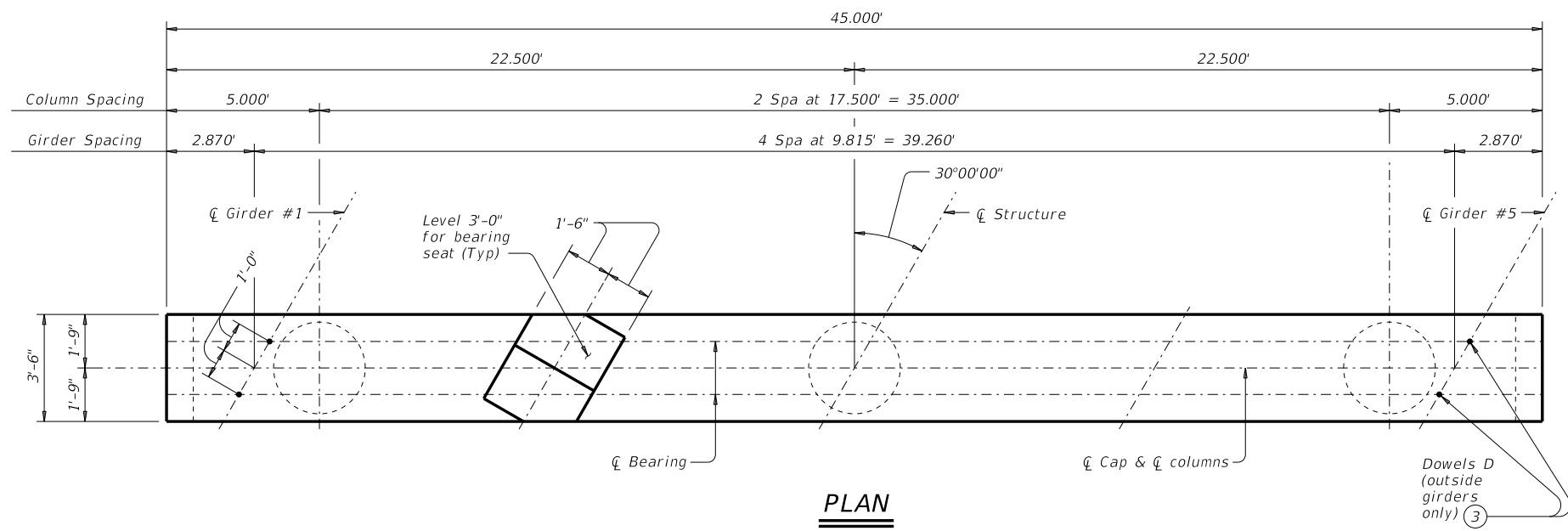
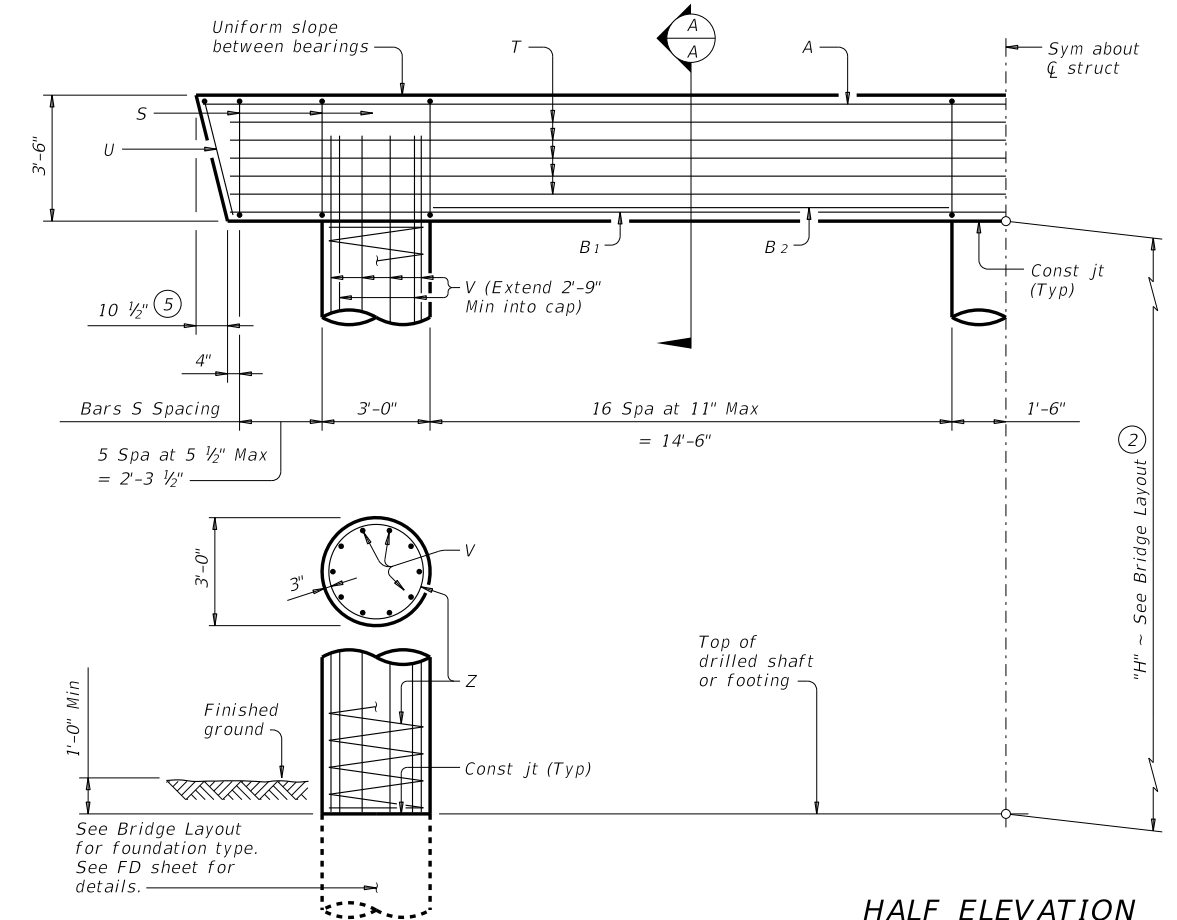


DISCLAIMER: The use of this standard is governed by the "Texas Engineering Practice Act". No warranty of any kind is made by TxDOT for any purpose whatsoever. TxDOT assumes no responsibility for the conversion of this standard to other formats or for incorrect results or damages resulting from its use.

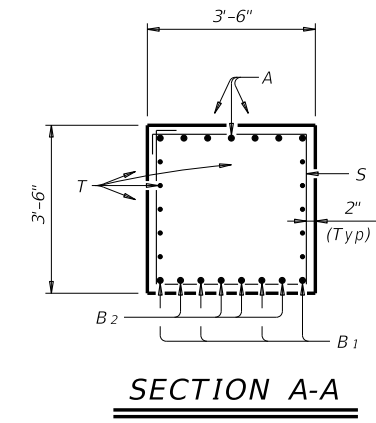
DATE: FILE:



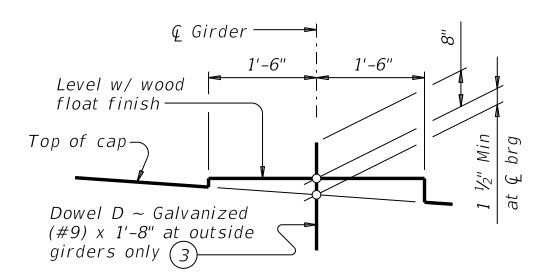
**PLAN**



**HALF ELEVATION**

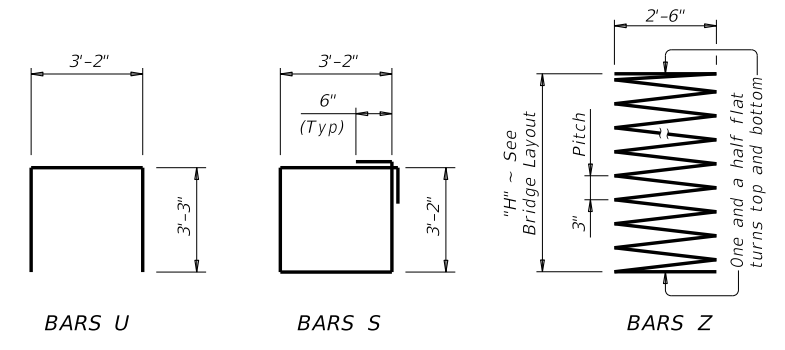


**SECTION A-A**



**BEARING SEAT DETAIL**

(Bearing surface must be clean and free of all loose material before placing bearing pad.)



- ① Quantities shown are based on an "H" value of 36'. For each linear foot variation in "H" value, make the following adjustments:  
 Bars V length, 1'-0"  
 Bars Z length, 31'-5"  
 Reinforcing steel, 165 Lb  
 Class "C" conc (col), 0.78 CY
- ② This standard may not be used for "H" heights exceeding 36'. In areas of very soft soil or where scour is anticipated, allowable "H" heights must be evaluated by the Engineer prior to the use of this standard.
- ③ Omit Dowels D at end of multi-span units. Adjust reinforcing steel total accordingly.
- ④ Foundation Loads based on "H" = 36'.
- ⑤ Measured parallel to top of cap cross-slope.

TABLE OF ESTIMATED QUANTITIES ①					
Bar	No.	Size	Length	Weight	
A	7	#11	44'- 6"	1,655	
B <sub>1</sub>	4	#11	43'- 0"	914	
B <sub>2</sub>	8	#11	14'- 6"	616	
D ③	4	#9	1'- 8"	23	
S	46	#5	13'- 8"	656	
T	10	#5	43'- 0"	448	
U	2	#5	9'- 8"	20	
V	30	#9	38'- 9"	3,953	
Z	3	#4	1154'- 7"	2,314	
Reinforcing Steel				Lb	10,599
Class "C" Concrete (Cap)				CY	20.3
Class "C" Concrete (Col)				CY	28.3

FOUNDATION LOADS ④				
Span Average	Drilled Shaft Loads	Pile Load (Tons/Pile)		
		3 Pile Ftg	4 Pile Ftg	5 Pile Ftg
Ft	Tons/Shaft			
40	135	48	37	30
45	145	52	39	32
50	156	55	42	34
55	166	59	45	36
60	176	62	47	38
65	186	65	50	40
70	196	69	52	42
75	206	72	55	44
80	216	75	57	46
85	226	79	60	48
90	236	82	62	50
95	246	85	65	52
100	255	88	67	54
105	265	92	69	56
110	275	95	72	58
115	285	98	74	60
120	295	102	77	62
125	305	105	79	64

**GENERAL NOTES:**  
 Designed according to AASHTO LRFD Bridge Design Specifications.  
 See Bridge Layout for foundation type, size and length.  
 See Common Foundation Details (FD) standard sheet for all foundation details and notes.  
 See Shear Key (IGSK) standard sheet for all shear key details and notes, if applicable.  
 Bent selected must be based on the average span length rounded up to the next 5 ft increment.  
 Details are drawn showing right forward skew. See Bridge Layout for actual skew direction.  
 These bent details may be used with standard SIG-38-30 only.

Cover dimensions are clear dimensions, unless noted otherwise.  
 Reinforcing bar dimensions shown are out-to-out of bar.

**MATERIAL NOTES:**  
 Provide Class C concrete (f'c = 3,600 psi).  
 Provide Class C (HPC) concrete if shown elsewhere in the plans.  
 Provide Grade 60 reinforcing steel.  
 Galvanize dowel bars D.

HL93 LOADING

**Texas Department of Transportation**  
 Bridge Division Standard

**INTERIOR BENTS**  
 TYPE TX28 THRU TX54  
 PRESTR CONC I-GIRDERS  
 38' ROADWAY 30° SKEW

**BIG-38-30**

FILE: big15sts-17.dgn	DN: TAR	CK: SDB	DW: JTR	CK: TAR
©TxDOT August 2017	CONT	SECT	JOB	HIGHWAY
REVISIONS	DIST	COUNTY	SHEET NO.	