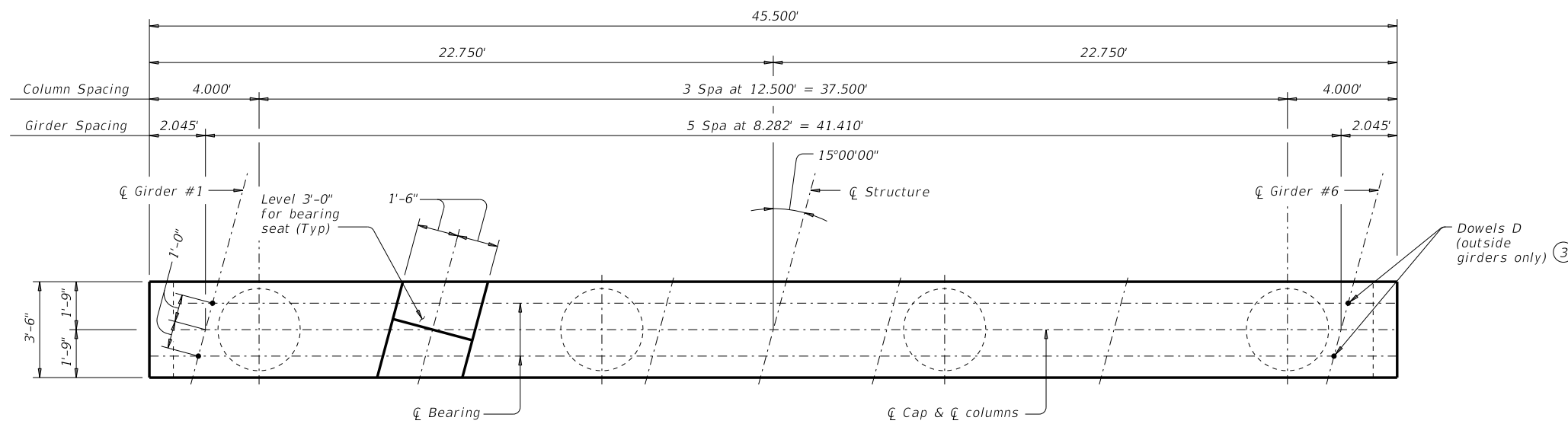
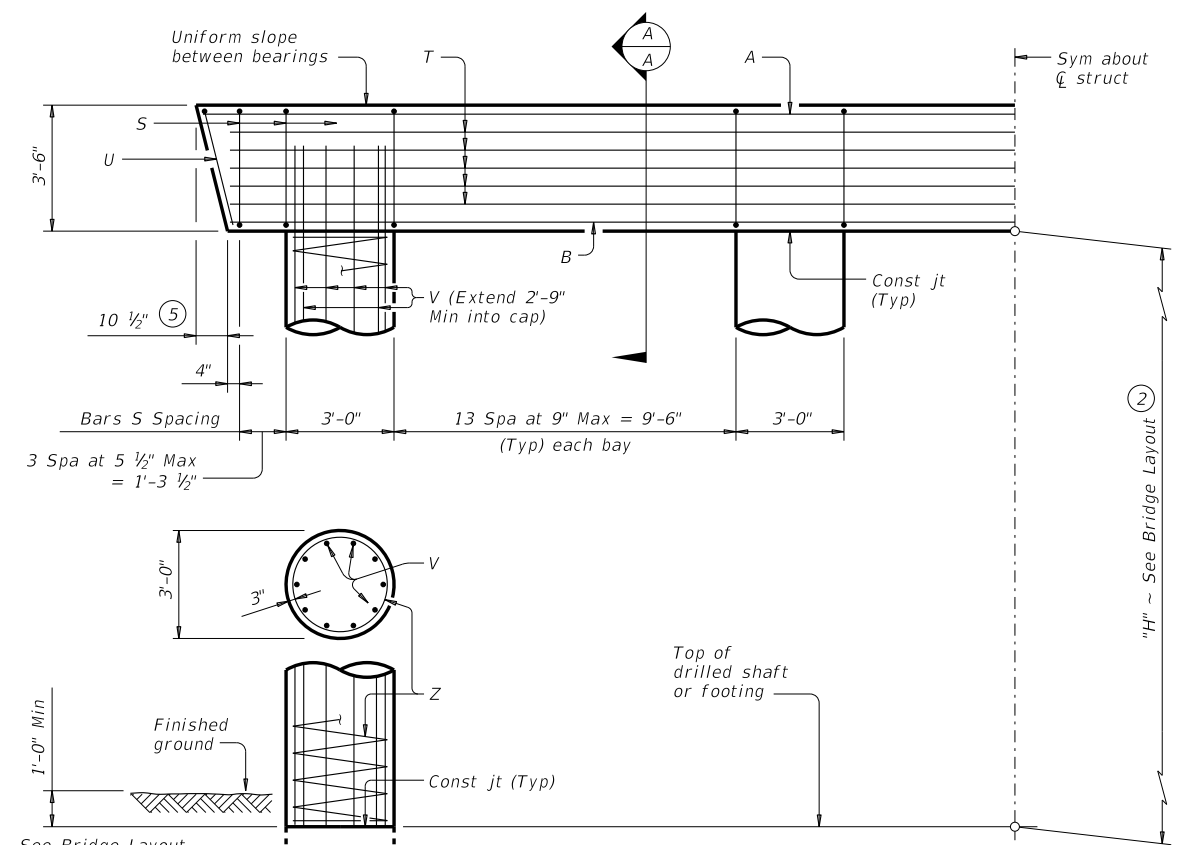


DISCLAIMER: This standard is governed by the "Texas Engineering Practice Act". No warranty of any kind is made by TxDOT for any purpose whatsoever. TxDOT assumes no responsibility for the conversion of this standard to other formats or for incorrect results or damages resulting from its use.

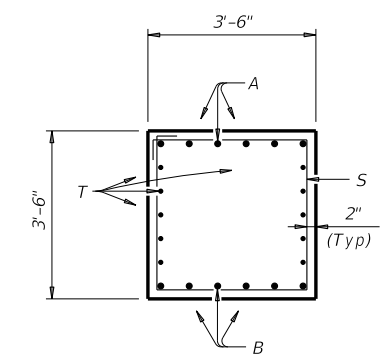
DATE: FILE:



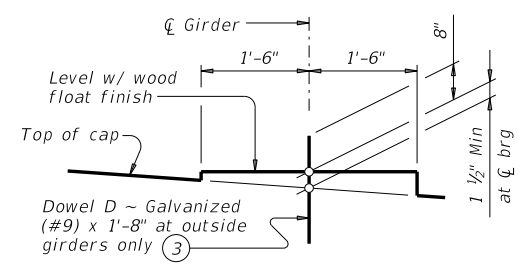
PLAN



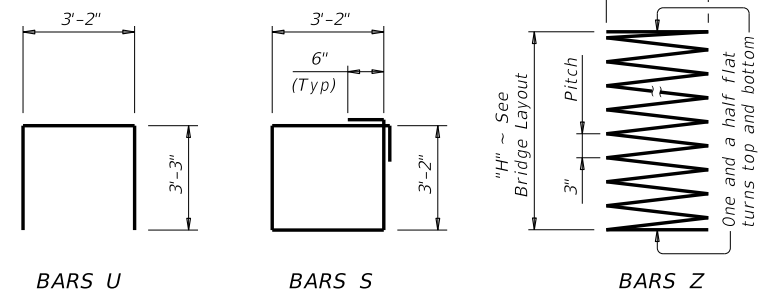
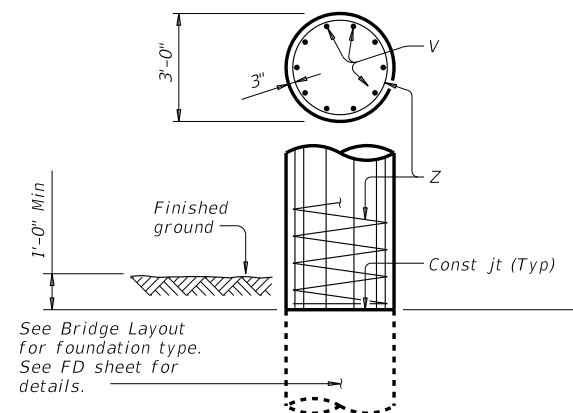
HALF ELEVATION



SECTION A-A



BEARING SEAT DETAIL
(Bearing surface must be clean and free of all loose material before placing bearing pad.)



- Quantities shown are based on an "H" value of 36'. For each linear foot variation in "H" value, make the following adjustments:
Bars V length, 1'-0"
Bars Z length, 31'-5"
Reinforcing steel, 220 Lb
Class "C" conc (col), 1.05 CY
- This standard may not be used for "H" heights exceeding 36'. In areas of very soft soil or where scour is anticipated, allowable "H" heights must be evaluated by the Engineer prior to the use of this standard.
- Omit Dowels D at end of multi-span units. Adjust reinforcing steel total accordingly.
- Foundation Loads based on "H" = 36'.
- Measured parallel to top of cap cross-slope.

Bar	No.	Size	Length	Weight	
A	6	#11	45'- 0"	1,435	
B	6	#11	43'- 6"	1,387	
D ^③	4	#9	1'- 8"	23	
S	50	#5	13'- 8"	713	
T	10	#5	43'- 6"	454	
U	2	#5	9'- 8"	20	
V	40	#9	38'- 9"	5,270	
Z	4	#4	1,154'- 7"	3,085	
Reinforcing Steel				Lb	12,387
Class "C" Concrete (Cap)				CY	20.5
Class "C" Concrete (Col)				CY	37.7

Span Average	Drilled Shaft Loads	Pile Load (Tons/Pile)		
		3 Pile Ftg	4 Pile Ftg	5 Pile Ftg
Ft	Tons/Shaft			
40	114	41	32	26
45	123	44	34	28
50	132	47	36	30
55	140	50	38	31
60	149	53	40	33
65	157	56	42	35
70	166	59	45	36
75	174	61	47	38
80	183	64	49	40
85	191	67	51	41
90	200	70	53	43
95	208	73	55	45
100	217	76	57	47
105	225	78	59	48
110	233	81	61	50
115	242	84	64	52
120	250	87	66	53
125	258	89	68	55

GENERAL NOTES:
 Designed according to AASHTO LRFD Bridge Design Specifications.
 See Bridge Layout for foundation type, size and length.
 See Common Foundation Details (FD) standard sheet for all foundation details and notes.
 See Shear Key (IGSK) standard sheet for all shear key details and notes, if applicable.
 Bent selected must be based on the average span length rounded up to the next 5 ft increment.
 Details are drawn showing right forward skew. See Bridge Layout for actual skew direction.
 These bent details may be used with standard SIG-44-15 only.

Cover dimensions are clear dimensions, unless noted otherwise.
 Reinforcing bar dimensions shown are out-to-out of bar.

MATERIAL NOTES:
 Provide Class C concrete (f'c = 3,600 psi).
 Provide Class C (HPC) concrete if shown elsewhere in the plans.
 Provide Grade 60 reinforcing steel.
 Galvanize dowel bars D.

HL93 LOADING

Bridge Division Standard

INTERIOR BENTS
 TYPE TX28 THRU TX54
 PRESTR CONC I-GIRDERS
 44' ROADWAY 15° SKEW

BIG-44-15

FILE: big18sts-17.dgn	DN: TAR	CK: SDB	DW: JTR	CK: TAR
©TxDOT August 2017	CONT	SECT	JOB	HIGHWAY
REVISIONS	DIST	COUNTY	SHEET NO.	