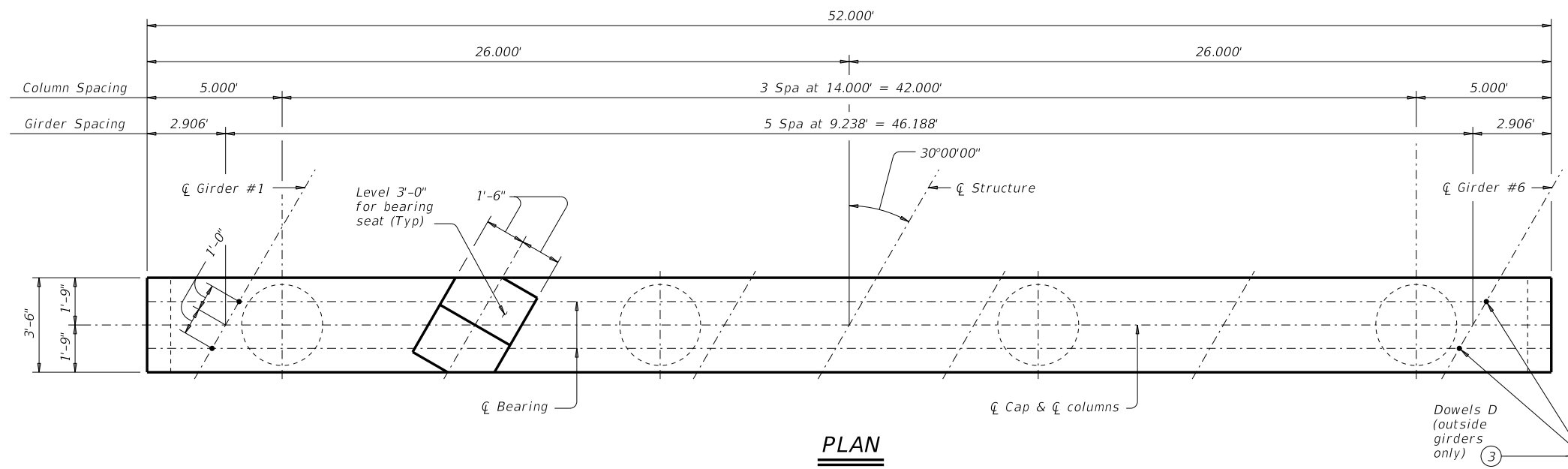
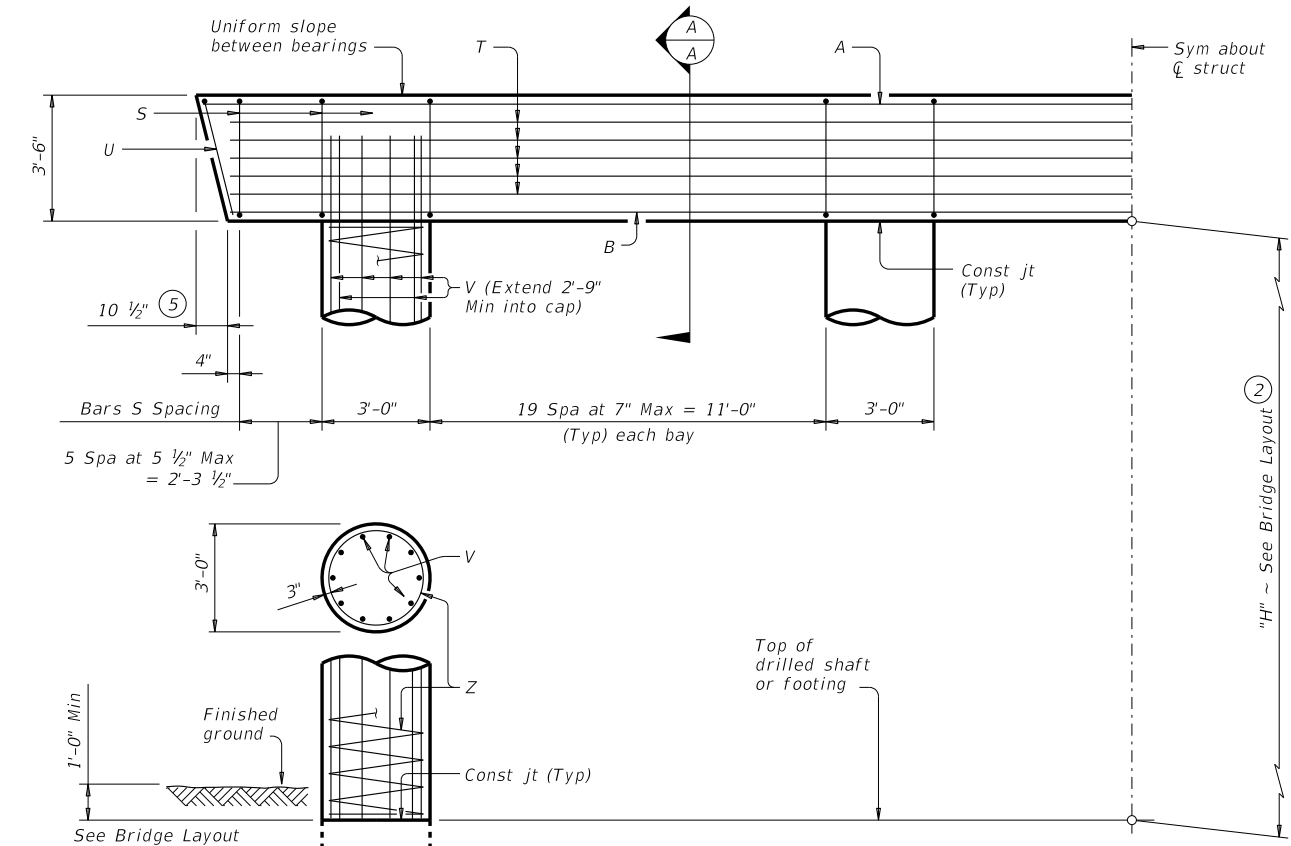


DISCLAIMER: The use of this standard is governed by the "Texas Engineering Practice Act". No warranty of any kind is made by TxDOT for any purpose whatsoever. TxDOT assumes no responsibility for the conversion of this standard to other formats or for incorrect results or damages resulting from its use.

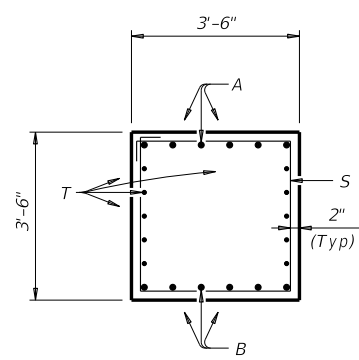
DATE: FILE:



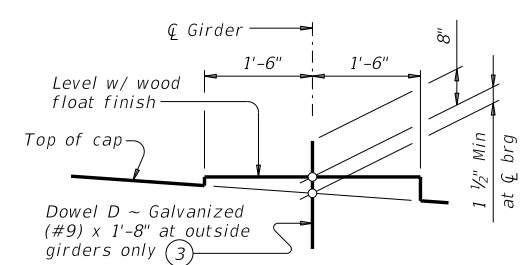
PLAN



HALF ELEVATION

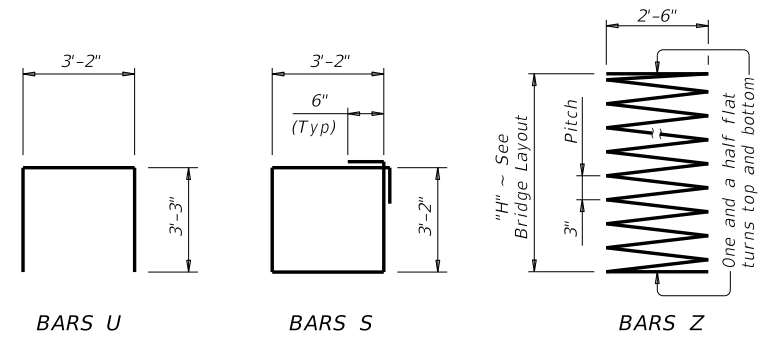


SECTION A-A



BEARING SEAT DETAIL

(Bearing surface must be clean and free of all loose material before placing bearing pad.)



- ① Quantities shown are based on an "H" value of 36'. For each linear foot variation in "H" value, make the following adjustments:
 Bars V length, 1'-0"
 Bars Z length, 31'-5"
 Reinforcing steel, 220 Lb
 Class "C" conc (col), 1.05 CY
- ② This standard may not be used for "H" heights exceeding 36'. In areas of very soft soil or where scour is anticipated, allowable "H" heights must be evaluated by the Engineer prior to the use of this standard.
- ③ Omit Dowels D at end of multi-span units. Adjust reinforcing steel total accordingly.
- ④ Foundation Loads based on "H" = 36'.
- ⑤ Measured parallel to top of cap cross-slope.

TABLE OF ESTIMATED QUANTITIES ①				
Bar	No.	Size	Length	Weight
A	6	#11	51'- 6"	1,642
B	6	#11	50'- 0"	1,594
D ③	4	#9	1'- 8"	23
S	72	#5	13'- 8"	1,026
T	10	#5	50'- 0"	522
U	2	#5	9'- 8"	20
V	40	#9	38'- 9"	5,270
Z	4	#4	1,154'- 7"	3,085
Reinforcing Steel			Lb	13,182
Class "C" Concrete (Cap)			CY	23.5
Class "C" Concrete (Col)			CY	37.7

FOUNDATION LOADS ④				
Span Average	Drilled Shaft Loads	Pile Load (Tons/Pile)		
		3 Pile Ftg	4 Pile Ftg	5 Pile Ftg
Ft	Tons/Shaft			
40	116	42	32	26
45	124	45	34	28
50	133	48	36	30
55	142	51	39	32
60	150	53	41	33
65	159	56	43	35
70	167	59	45	37
75	176	62	47	38
80	184	65	49	40
85	193	68	51	42
90	201	70	53	43
95	210	73	56	45
100	218	76	58	47
105	226	79	60	48
110	235	82	62	50
115	243	84	64	52
120	252	87	66	54
125	260	90	68	55

GENERAL NOTES:
 Designed according to AASHTO LRFD Bridge Design Specifications.
 See Bridge Layout for foundation type, size and length.
 See Common Foundation Details (FD) standard sheet for all foundation details and notes.
 See Shear Key (IGSK) standard sheet for all shear key details and notes, if applicable.
 Bent selected must be based on the average span length rounded up to the next 5 ft increment.
 Details are drawn showing right forward skew. See Bridge Layout for actual skew direction.
 These bent details may be used with standard SIG-44-30 only.

Cover dimensions are clear dimensions, unless noted otherwise.
 Reinforcing bar dimensions shown are out-to-out of bar.

MATERIAL NOTES:
 Provide Class C concrete (f'c = 3,600 psi).
 Provide Class C (HPC) concrete if shown elsewhere in the plans.
 Provide Grade 60 reinforcing steel.
 Galvanize dowel bars D.
 HL93 LOADING

		Bridge Division Standard	
INTERIOR BENTS TYPE TX28 THRU TX54 PRESTR CONC I-GIRDERS 44' ROADWAY 30° SKEW BIG-44-30			
FILE: big19sts-17.dgn	DN: TAR	CK: SDB	DW: JTR
©TxDOT August 2017	CONT	SECT	JOB
REVISIONS	COUNTY		SHEET NO.