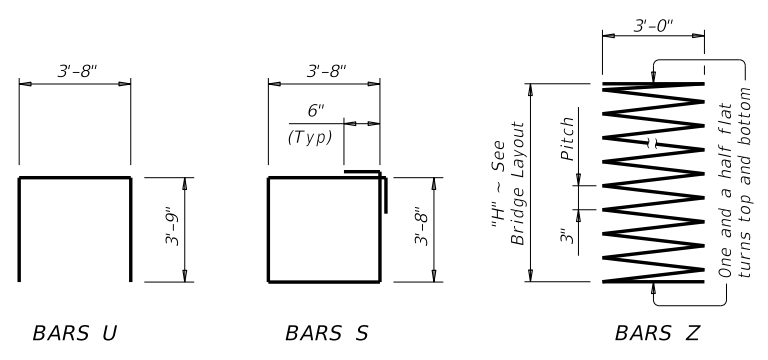
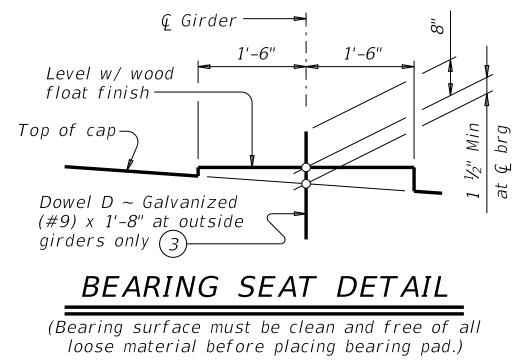
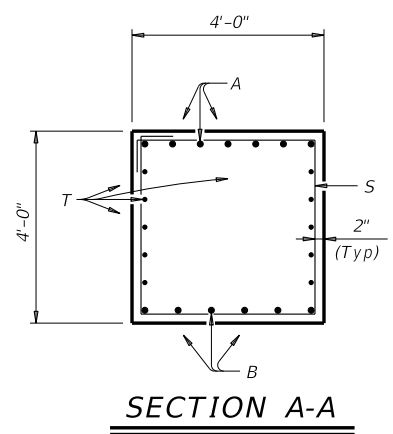
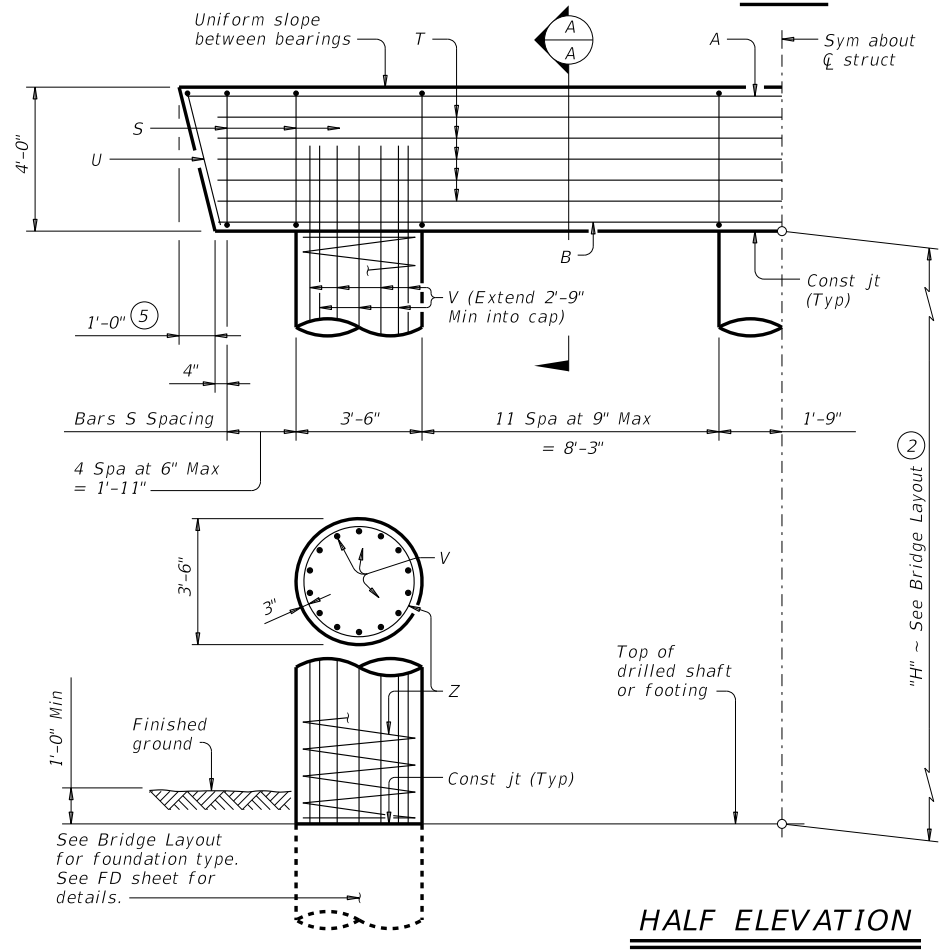
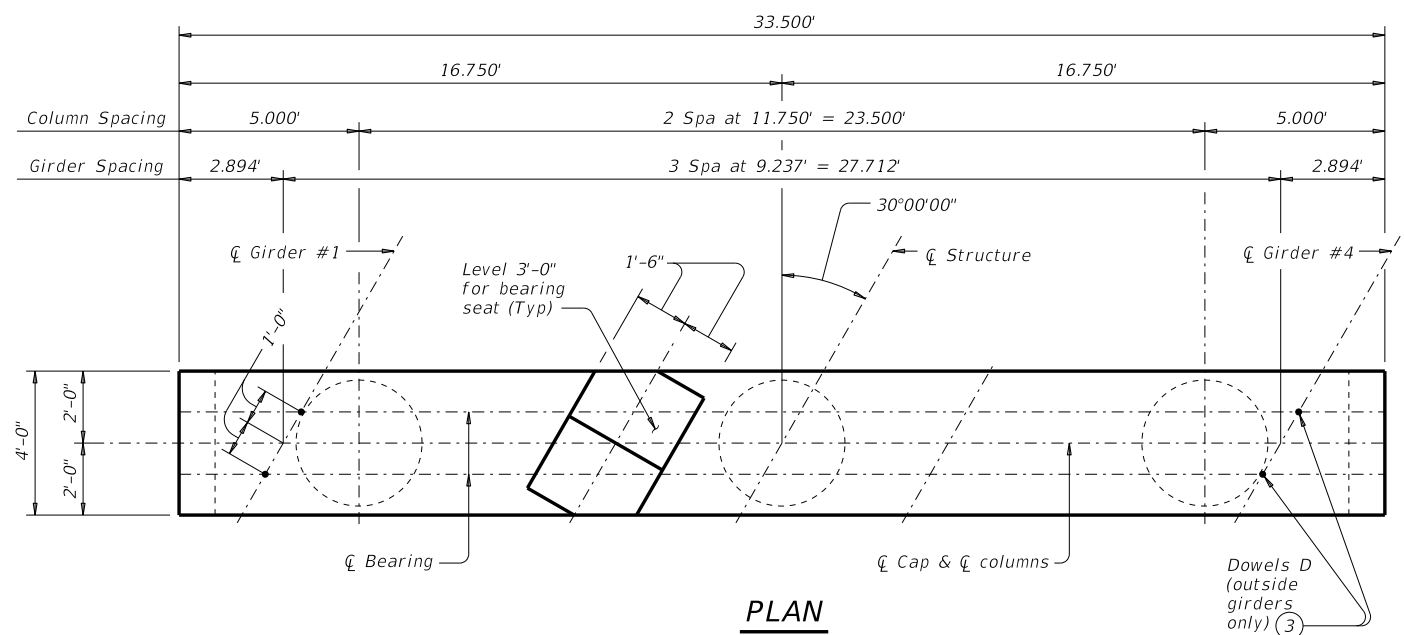


DISCLAIMER: The use of this standard is governed by the "Texas Engineering Practice Act". No warranty of any kind is made by TxDOT for any purpose whatsoever. TxDOT assumes no responsibility for the conversion of this standard to other formats or for incorrect results or damages resulting from its use.

DATE: FILE:



- ① Quantities shown are based on an "H" value of 36'. For each linear foot variation in "H" value, make the following adjustments:  
 Bars V length, 1'-0"  
 Bars Z length, 37'-9"  
 Reinforcing steel, 219 Lb  
 Class "C" conc (col), 1.07 CY
- ② This standard may not be used for "H" heights exceeding 36'. In areas of very soft soil or where scour is anticipated, allowable "H" heights must be evaluated by the Engineer prior to the use of this standard.
- ③ Omit Dowels D at end of multi-span units. Adjust reinforcing steel total accordingly.
- ④ Foundation loads based on "H" = 36'.
- ⑤ Measured parallel to top of cap cross-slope.

TABLE OF ESTIMATED QUANTITIES ①				
Bar	No.	Size	Length	Weight
A	7	#11	33'- 0"	1,227
B	6	#11	31'- 3"	996
D ③	4	#9	1'- 8"	23
S	34	#5	15'- 8"	556
T	10	#5	31'- 3"	326
U	2	#5	11'- 2"	23
V	42	#9	38'- 9"	5,534
Z	3	#4	1,387'- 3"	2,780
Reinforcing Steel			Lb	11,465
Class "C" Concrete (Cap)			CY	19.5
Class "C" Concrete (Col)			CY	38.5

FOUNDATION LOADS ④			
Span Length	Drilled Shaft Loads	Pile Load (Tons/Pile)	
		4 Pile Ftg	5 Pile Ftg
60	156	42	34
65	164	44	36
70	173	46	38
75	181	48	39
80	189	50	41
85	197	52	43
90	205	54	44
95	214	57	46
100	222	59	48
105	230	61	49
110	238	63	51
115	246	65	52
120	254	67	54
125	262	69	56
130	270	71	57
135	278	73	59

**GENERAL NOTES:**  
 Designed according to AASHTO LRFD Bridge Design Specifications. See Bridge Layout for foundation type, size and length. See Common Foundation Details (FD) standard sheet for all foundation details and notes. See Shear Key Details (IGSK) standard sheet for all shear key details and notes, if applicable. Bent selected must be based on the average span length rounded up to the next 5 ft increment. Details are drawn showing right forward skew. See Bridge Layout for actual skew direction. These bent details may be used with standard SIG-62-28-30 only.

Cover dimensions are clear dimensions, unless noted otherwise. Reinforcing bar dimensions shown are out-to-out of bar.

**MATERIAL NOTES:**  
 Provide Class C concrete ( $f'_c = 3,600$  psi). Provide Class C (HPC) concrete if shown elsewhere in the plans. Provide Grade 60 reinforcing steel. Galvanize dowel bars D.

HL93 LOADING

		<b>Bridge Division Standard</b>
<b>INTERIOR BENTS</b> <b>TYPE TX62</b> <b>PRESTR CONC I-GIRDERS</b> <b>28' ROADWAY 30° SKEW</b> <b>BIG-62-28-30</b>		
FILE: big27sts-17.dgn	DN: TAR	CK: SDB
DW: JTR	CK: TAR	
©TxDOT August 2017	CONT	SECT
REVISIONS	JOB	HIGHWAY
	DIST	COUNTY
		SHEET NO.