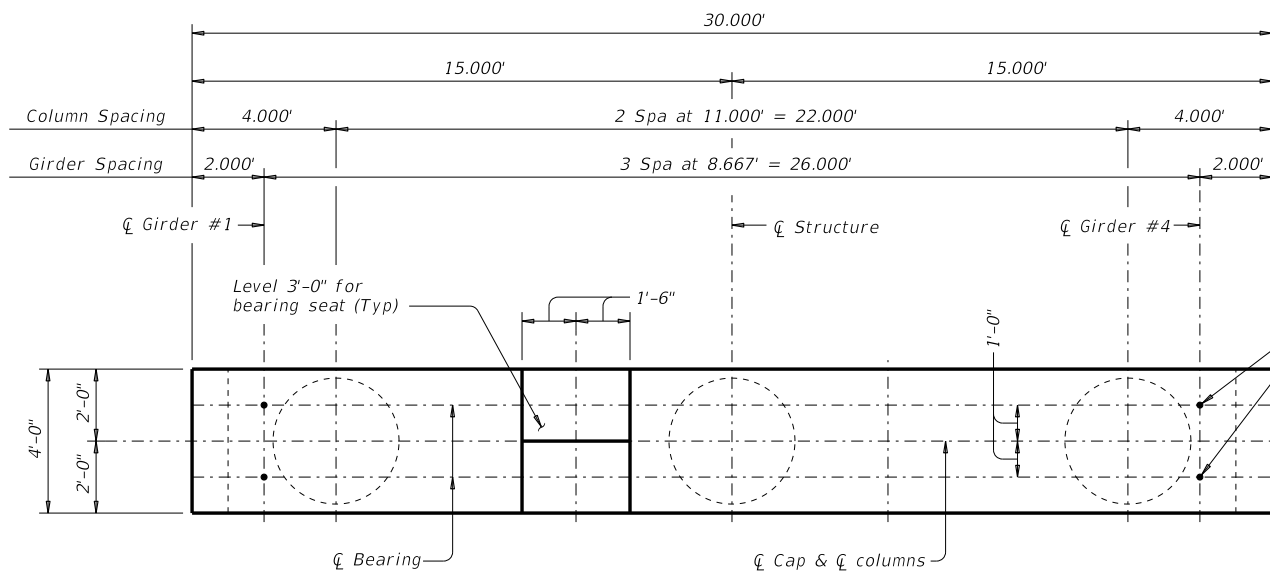
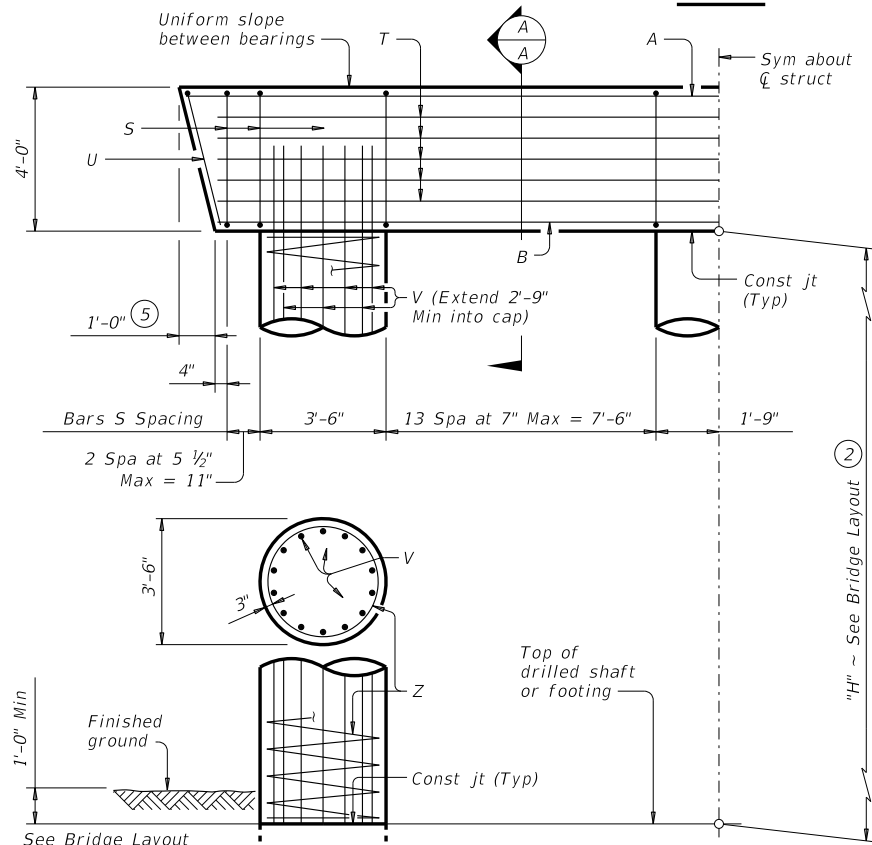


DISCLAIMER: This standard is governed by the "Texas Engineering Practice Act". No warranty of any kind is made by TxDOT for any purpose whatsoever. TxDOT assumes no responsibility for the conversion of this standard to other formats or for incorrect results or damages resulting from its use.

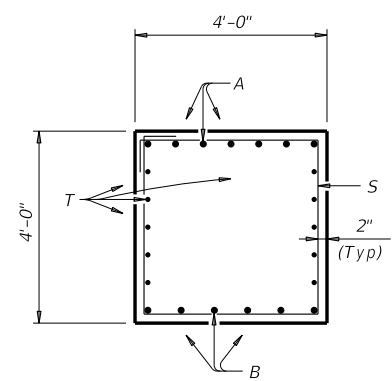
DATE: FILE:



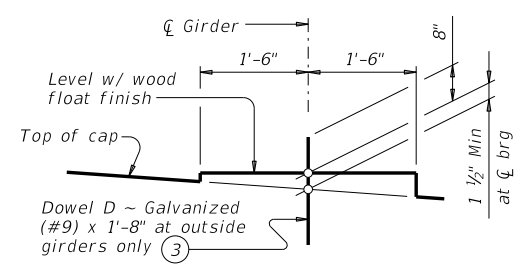
PLAN



HALF ELEVATION

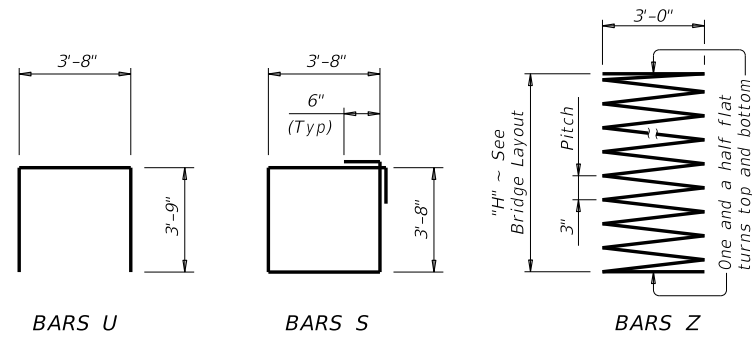


SECTION A-A



BEARING SEAT DETAIL

(Bearing surface must be clean and free of all loose material before placing bearing pad.)



- Quantities shown are based on an "H" value of 36'. For each linear foot variation in "H" value, make the following adjustments:
Bars V length, 1'-0"
Bars Z length, 37'-9"
Reinforcing steel, 219 Lb
Class "C" conc (col), 1.07 CY
- This standard may not be used for "H" heights exceeding 36'. In areas of very soft soil or where scour is anticipated, allowable "H" heights must be evaluated by the Engineer prior to the use of this standard.
- Omit Dowels D at end of multi-span units. Adjust reinforcing steel total accordingly.
- Foundation Loads based on "H" = 36'.
- Measured parallel to top of cap cross-slope.

TABLE OF ESTIMATED QUANTITIES (1)				
Bar	No.	Size	Length	Weight
A	7	#11	29'- 6"	1,097
B	6	#11	27'- 9"	885
D (3)	4	#9	1'- 8"	23
S	34	#5	15'- 8"	556
T	10	#5	27'- 9"	289
U	2	#5	11'- 2"	23
V	42	#9	38'- 9"	5,534
Z	3	#4	1,387'- 3"	2,780
Reinforcing Steel			Lb	11,187
Class "C" Concrete (Cap)			CY	17.4
Class "C" Concrete (Col)			CY	38.5

FOUNDATION LOADS (4)			
Span Average	Drilled Shaft Loads	Pile Load (Tons/Pile)	
		4 Pile Ftg	5 Pile Ftg
Ft	Tons/Shaft		
60	157	42	35
65	166	45	36
70	174	47	38
75	183	49	40
80	191	51	41
85	199	53	43
90	208	55	45
95	216	57	46
100	224	59	48
105	233	61	50
110	241	63	51
115	249	65	53
120	258	68	55
125	266	70	56
130	274	72	58
135	282	74	60

GENERAL NOTES:
 Designed according to AASHTO LRFD Bridge Design Specifications. See Bridge Layout for foundation type, size and length. See Common Foundation Details (FD) standard sheet for all foundation details and notes. See Shear Key Details (IGSK) standard sheet for all shear key details and notes, if applicable. Bent selected must be based on the average span length rounded up to the next 5 ft increment. These bent details may be used with standard SIG-62-30 only.

Cover dimensions are clear dimensions, unless noted otherwise. Reinforcing bar dimensions shown are out-to-out of bar.

MATERIAL NOTES:
 Provide Class C concrete (f'c = 3,600 psi). Provide Class C (HPC) concrete if shown elsewhere in the plans. Provide Grade 60 reinforcing steel. Galvanize dowel bars D.

HL93 LOADING

Texas Department of Transportation
 Bridge Division Standard

**INTERIOR BENTS
 TYPE TX62
 PRESTR CONC I-GIRDERS
 30' ROADWAY**

BIG-62-30

FILE: big29sts-17.dgn	DN: TAR	CK: SDB	DW: JTR	CK: TAR
©TxDOT August 2017		CONT	SECT	HIGHWAY
REVISIONS		DIST	COUNTY	SHEET NO.