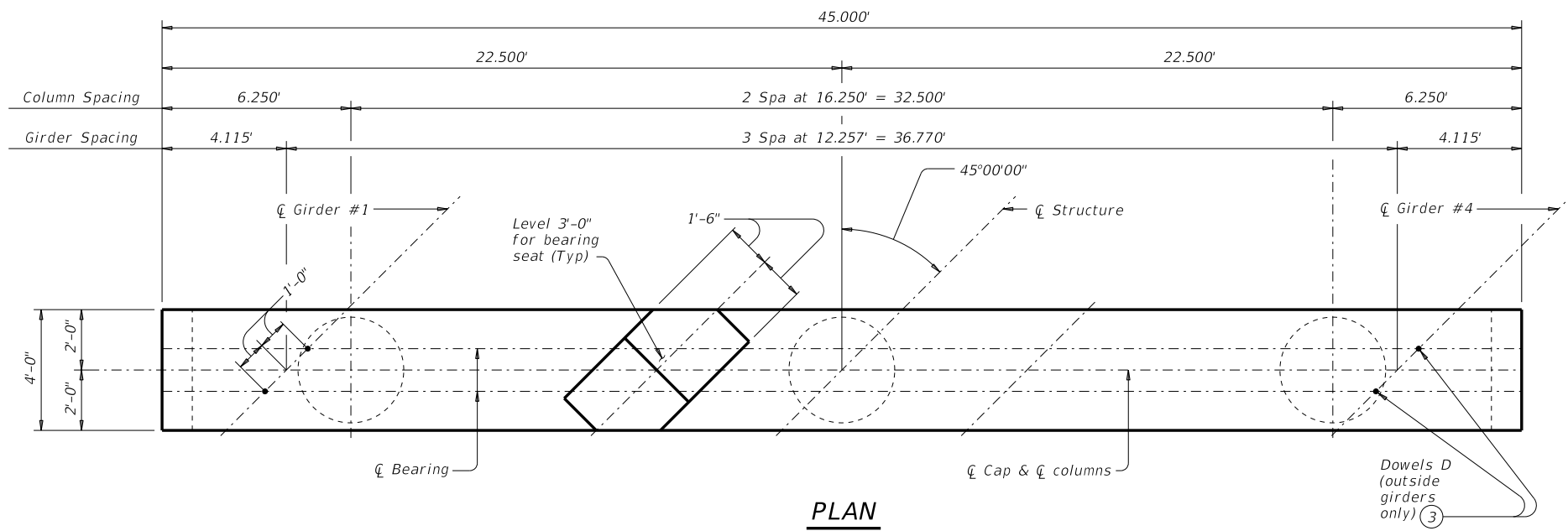
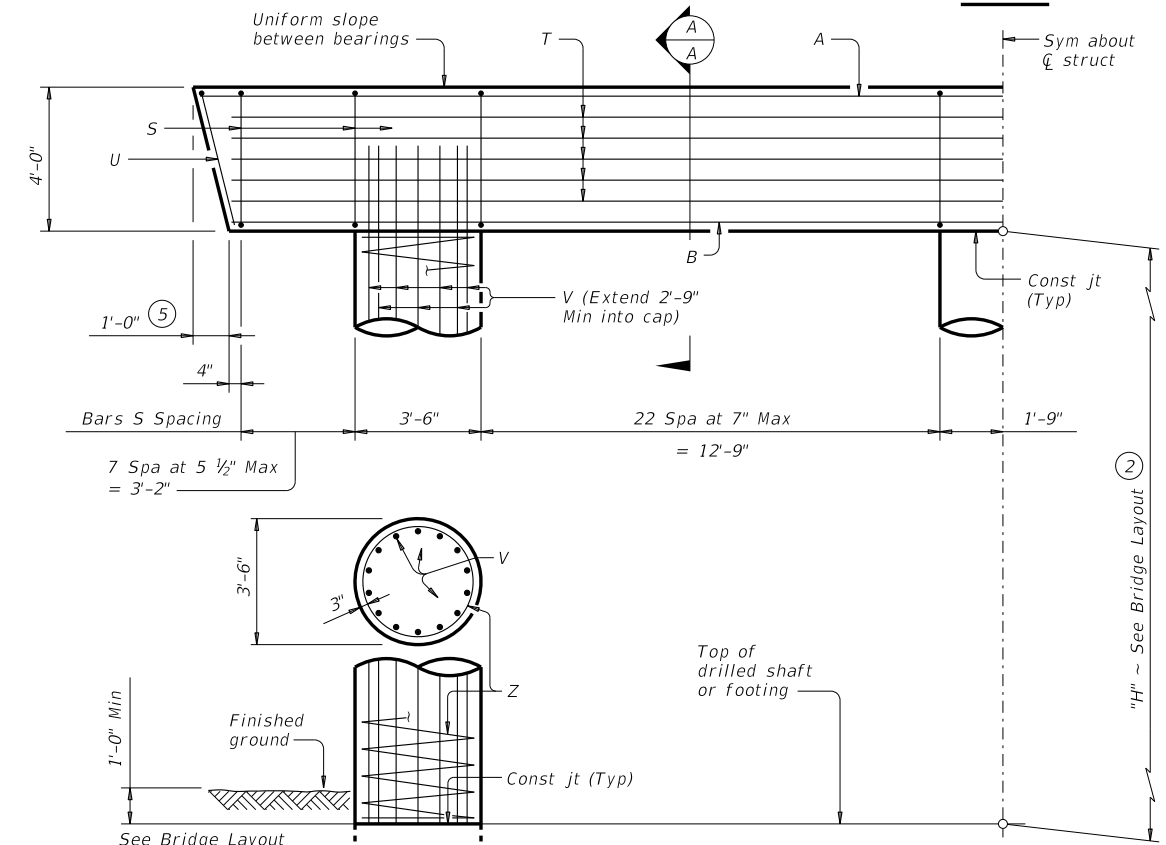


DISCLAIMER: This standard is governed by the "Texas Engineering Practice Act". No warranty of any kind is made by TxDOT for any purpose whatsoever. TxDOT assumes no responsibility for the conversion of this standard to other formats or for incorrect results or damages resulting from its use.

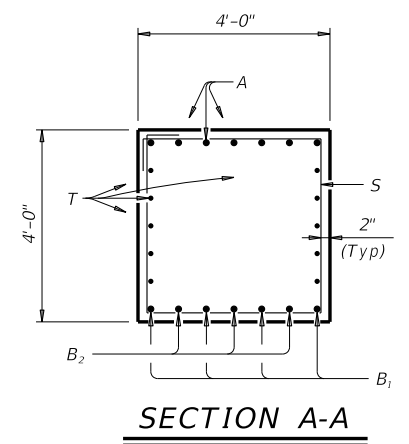
DATE: FILE:



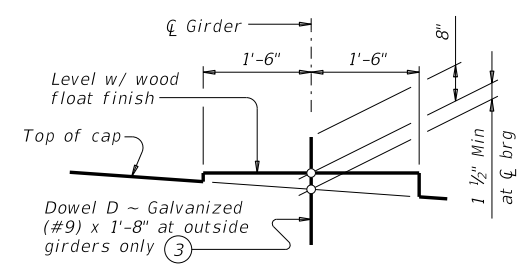
PLAN



HALF ELEVATION

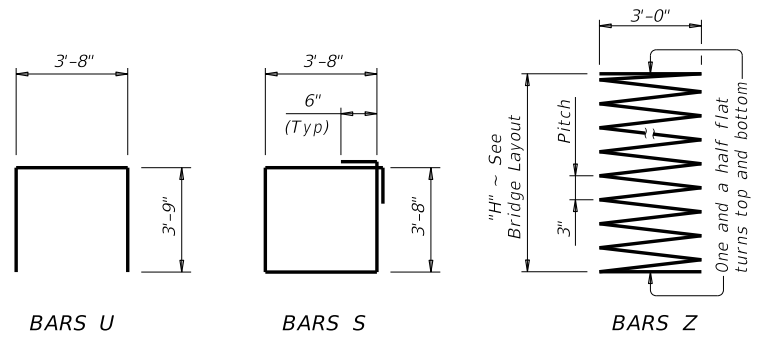


SECTION A-A



BEARING SEAT DETAIL

(Bearing surface must be clean and free of all loose material before placing bearing pad.)



- ① Quantities shown are based on an "H" value of 36'. For each linear foot variation in "H" value, make the following adjustments:
 Bars V length, 1'-0"
 Bars Z length, 37'-9"
 Reinforcing steel, 219 Lb
 Class "C" conc (col), 1.07 CY
- ② This standard may not be used for "H" heights exceeding 36'. In areas of very soft soil or where scour is anticipated, allowable "H" heights must be evaluated by the Engineer prior to the use of this standard.
- ③ Omit Dowels D at end of multi-span units. Adjust reinforcing steel total accordingly.
- ④ Foundation Loads based on "H" = 36'.
- ⑤ Measured parallel to top of cap cross-slope.

TABLE OF ESTIMATED QUANTITIES ①				
Bar	No.	Size	Length	Weight
A	7	#11	44'- 6"	1,655
B ₁	4	#11	42'- 9"	909
B ₂	6	#11	12'- 9"	407
D ③	4	#9	1'- 8"	23
S	62	#5	15'- 8"	1,014
T	10	#5	42'- 9"	446
U	2	#5	11'- 2"	23
V	42	#9	38'- 9"	5,534
Z	3	#4	1,387'- 3"	2,780
Reinforcing Steel			Lb	12,791
Class "C" Concrete (Cap)			CY	26.4
Class "C" Concrete (Col)			CY	38.5

FOUNDATION LOADS ④			
Span Average	Drilled Shaft Loads	Pile Load (Tons/Pile)	
		4 Pile Ftg	5 Pile Ftg
Ft	Tons/Shaft		
60	163	44	36
65	172	46	38
70	180	48	39
75	189	50	41
80	197	52	43
85	205	54	44
90	214	57	46
95	222	59	48
100	230	61	49
105	239	63	51
110	247	65	53
115	255	67	54
120	264	69	56
125	272	71	58
130	280	73	59
135	288	75	61

GENERAL NOTES:
 Designed according to AASHTO LRFD Bridge Design Specifications. See Bridge Layout for foundation type, size and length. See Common Foundation Details (FD) standard sheet for all foundation details and notes. See Shear Key Details (IGSK) standard sheet for all shear key details and notes, if applicable. Bent selected must be based on the average span length rounded up to the next 5 ft increment. Details are drawn showing right forward skew. See Bridge Layout for actual skew direction. These bent details may be used with standard SIG-62-30-45 only.
 Cover dimensions are clear dimensions, unless noted otherwise. Reinforcing bar dimensions shown are out-to-out of bar.

MATERIAL NOTES:
 Provide Class C concrete (f'c = 3,600 psi). Provide Class C (HPC) concrete if shown elsewhere in the plans. Provide Grade 60 reinforcing steel. Galvanize dowel bars D.

HL93 LOADING

Bridge Division Standard

**INTERIOR BENTS
TYPE TX62
PRESTR CONC I-GIRDERS
30' ROADWAY 45° SKEW
BIG-62-30-45**

FILE: big32sts-17.dgn	DN: TAR	CK: SDB	DW: JTR	CK: TAR
©TxDOT August 2017	CONT	SECT	JOB	HIGHWAY
REVISIONS	DIST	COUNTY	SHEET NO.	