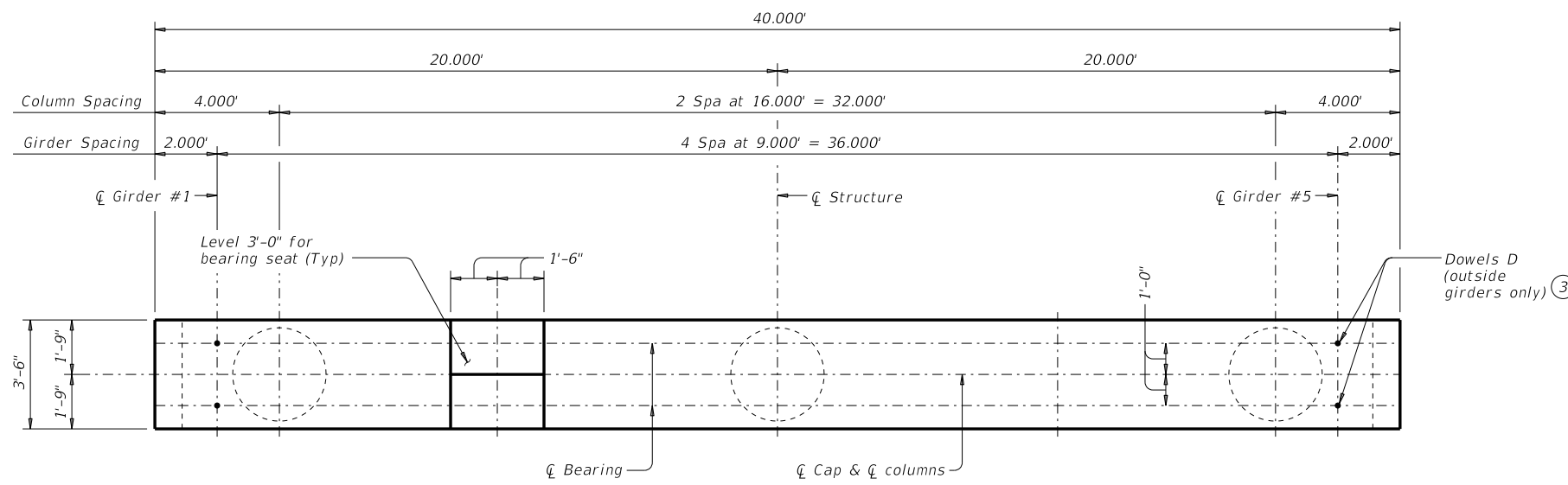
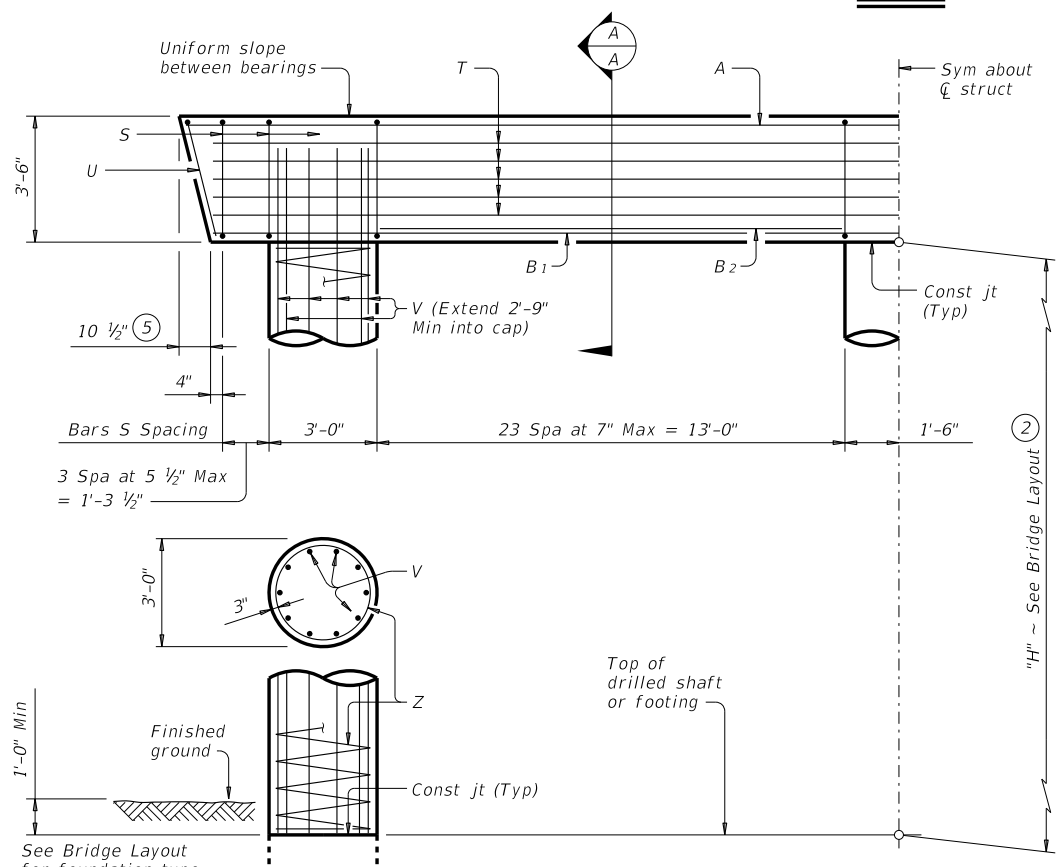


DISCLAIMER: The use of this standard is governed by the "Texas Engineering Practice Act". No warranty of any kind is made by TxDOT for any purpose whatsoever. TxDOT assumes no responsibility for the conversion of this standard to other formats or for incorrect results or damages resulting from its use.

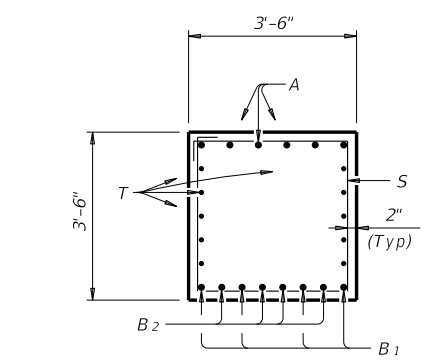
DATE: FILE:



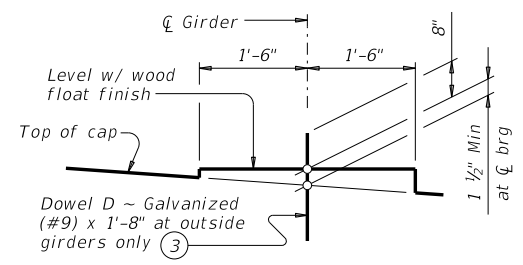
PLAN



HALF ELEVATION

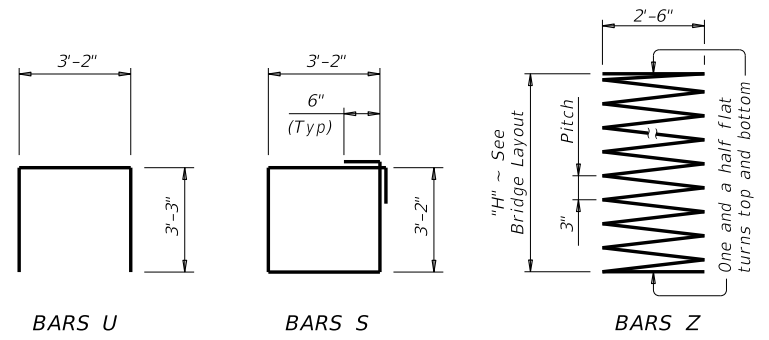


SECTION A-A



BEARING SEAT DETAIL

(Bearing surface must be clean and free of all loose material before placing bearing pad.)



- ① Quantities shown are based on an "H" value of 36'. For each linear foot variation in "H" value, make the following adjustments:
 Bars V length, 1'-0"
 Bars Z length, 31'-5"
 Reinforcing steel, 165 Lb
 Class "C" conc (col), 0.78 CY
- ② This standard may not be used for "H" heights exceeding 36'. In areas of very soft soil or where scour is anticipated, allowable "H" heights must be evaluated by the Engineer prior to the use of this standard.
- ③ Omit Dowels D at end of multi-span units. Adjust reinforcing steel total accordingly.
- ④ Foundation Loads based on "H" = 36'.
- ⑤ Measured parallel to top of cap cross-slope.

TABLE OF ESTIMATED QUANTITIES ①				
Bar	No.	Size	Length	Weight
A	6	#11	39'- 6"	1,259
B ₁	4	#11	38'- 0"	808
B ₂	8	#11	13'- 0"	553
D ③	4	#9	1'-8"	23
S	56	#5	13'- 8"	798
T	10	#5	38'- 0"	396
U	2	#5	9'- 8"	20
V	30	#9	38'- 9"	3,953
Z	3	#4	1,154'- 7"	2,314
Reinforcing Steel			Lb	10,124
Class "C" Concrete (Cap)			CY	18.0
Class "C" Concrete (Col)			CY	28.3

FOUNDATION LOADS ④				
Span Average	Drilled Shaft Loads	Pile Load (Tons/Pile)		
		3 Pile Ftg	4 Pile Ftg	5 Pile Ftg
Ft	Tons/Shaft			
40	135	48	37	30
45	146	52	40	32
50	156	55	42	34
55	167	59	45	37
60	177	62	47	39
65	187	66	50	41
70	197	69	52	43
75	207	72	55	45
80	218	76	58	47
85	228	79	60	49
90	238	83	63	51
95	248	86	65	53
100	258	89	68	55
105	268	93	70	57
110	278	96	73	59
115	288	99	75	61
120	298	103	78	63

GENERAL NOTES:
 Designed according to AASHTO LRFD Bridge Design Specifications. See Bridge Layout for foundation type, size and length. See Common Foundation Details (FD) standard sheet for all foundation details and notes. See Shear Key (IGSK) standard sheet for all shear key details and notes, if applicable. Bent selected must be based on the average span length rounded up to the next 5 ft increment. These bent details may be used with standard SIG-40 only.
 Cover dimensions are clear dimensions, unless noted otherwise. Reinforcing bar dimensions shown are out-to-out of bar.

MATERIAL NOTES:
 Provide Class C concrete (f'c = 3,600 psi). Provide Class C (HPC) concrete if shown elsewhere in the plans. Provide Grade 60 reinforcing steel. Galvanize dowel bars D. HL93 LOADING

Texas Department of Transportation
 Bridge Division Standard

**INTERIOR BENTS
 TYPE TX28 THRU TX54
 PRESTR CONC I-GIRDERS
 40' ROADWAY**

BIG-40

FILE: big45sts-17.dgn	DN: TAR	CK: SDB	DW: JTR	CK: TAR
©TxDOT August 2017	CONT	SECT	JOB	HIGHWAY
REVISIONS	DIST	COUNTY	SHEET NO.	