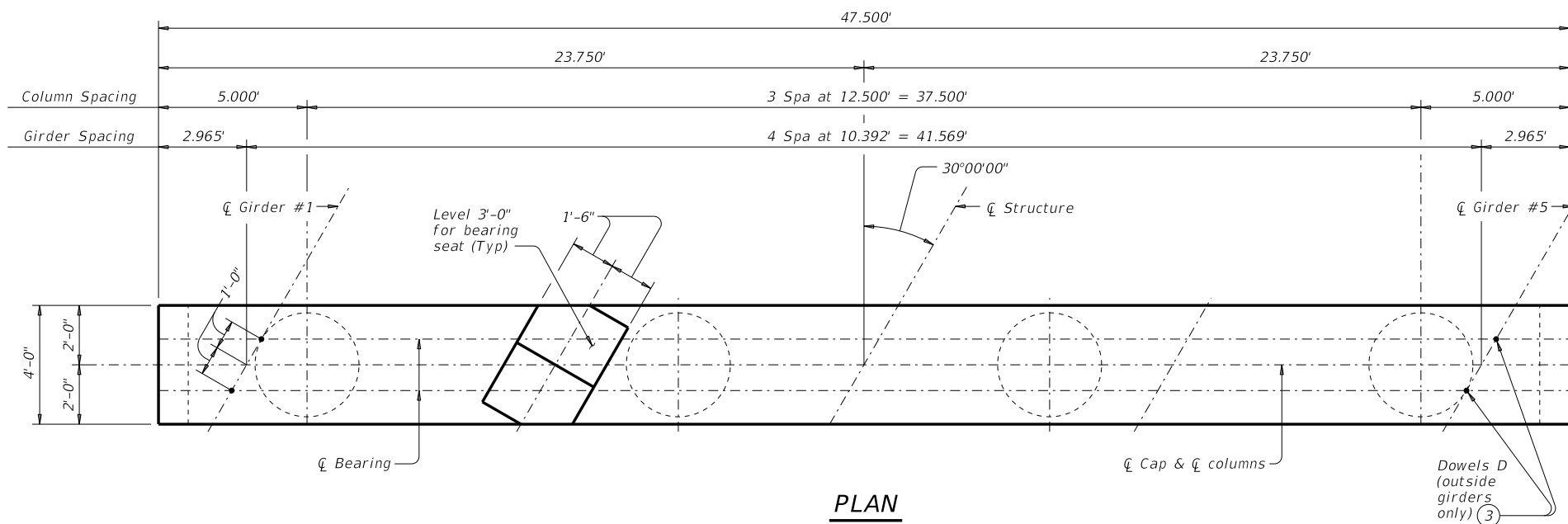
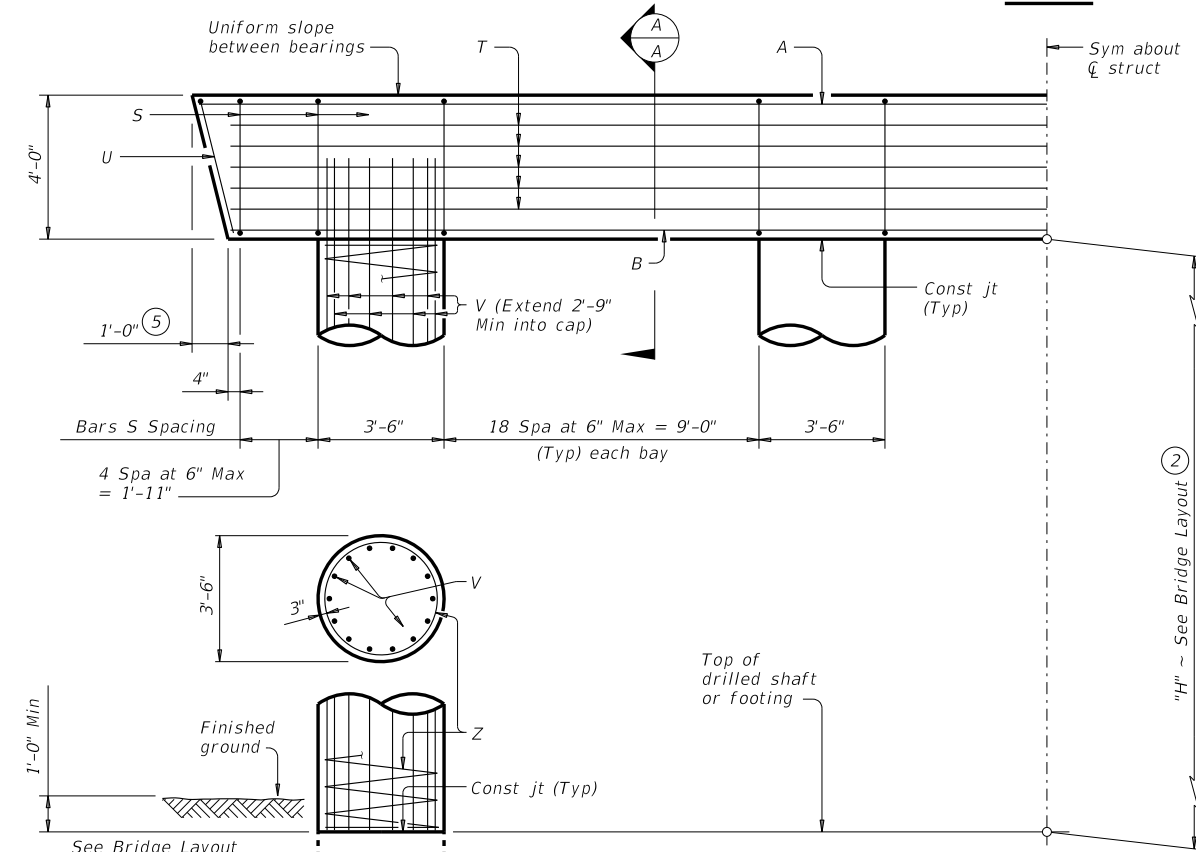


DISCLAIMER: The use of this standard is governed by the "Texas Engineering Practice Act". No warranty of any kind is made by TxDOT for any purpose whatsoever. TxDOT assumes no responsibility for the conversion of this standard to other formats or for incorrect results or damages resulting from its use.

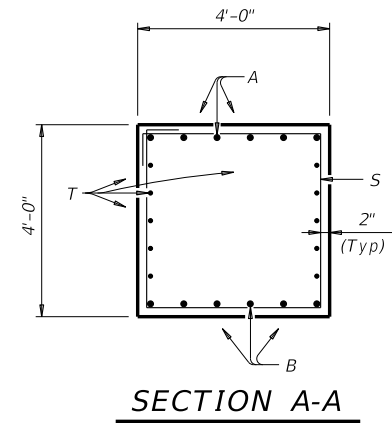
DATE: FILE:



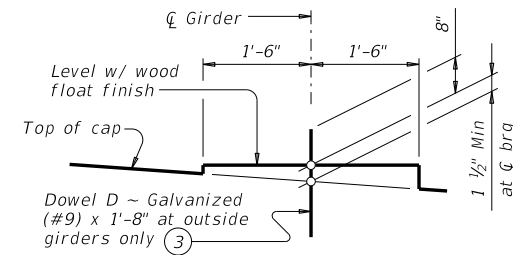
PLAN



HALF ELEVATION

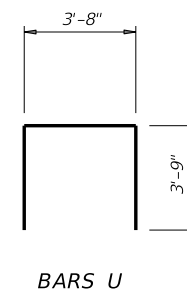


SECTION A-A

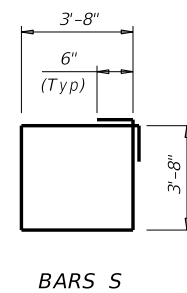


BEARING SEAT DETAIL

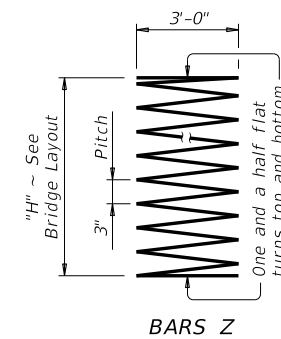
(Bearing surface must be clean and free of all loose material before placing bearing pad.)



BARS U



BARS S



BARS Z

- Quantities shown are based on an "H" value of 36'. For each linear foot variation in "H" value, make the following adjustments:
Bars V length, 1'-0"
Bars Z length, 37'-9"
Reinforcing steel, 291 Lb
Class "C" conc (col), 1.43 CY
- This standard may not be used for "H" heights exceeding 36'. In areas of very soft soil or where scour is anticipated, allowable "H" heights must be evaluated by the Engineer prior to the use of this standard.
- Omit Dowels D at end of multi-span units. Adjust reinforcing steel total accordingly.
- Foundation Loads based on "H" = 36'.
- Measured parallel to top of cap cross-slope.

TABLE OF ESTIMATED QUANTITIES (1)				
Bar	No.	Size	Length	Weight
A	6	#11	47'- 0"	1,498
B	6	#11	45'- 3"	1,442
D (3)	4	#9	1'-8"	23
S	67	#5	15'- 8"	1,095
T	10	#5	45'- 3"	472
U	2	#5	11'- 2"	23
V	56	#9	38'- 9"	7,378
Z	4	#4	1,387'- 3"	3,707
Reinforcing Steel			Lb	15,638
Class "C" Concrete (Cap)			CY	28.0
Class "C" Concrete (Col)			CY	51.3

FOUNDATION LOADS (4)			
Span Average	Drilled Shaft Loads	Pile Load (Tons/Pile)	
		4 Pile Ftg	5 Pile Ftg
Ft	Tons/Shaft		
60	153	41	34
65	161	43	35
70	169	45	37
75	177	47	39
80	185	49	40
85	193	51	42
90	201	53	43
95	209	55	45
100	216	57	46
105	224	59	48
110	232	61	50
115	240	63	51
120	248	65	53
125	256	67	54
130	263	69	56

GENERAL NOTES:
 Designed according to AASHTO LRFD Bridge Design Specifications. See Bridge Layout for foundation type, size and length. See Common Foundation Details (FD) standard sheet for all foundation details and notes. See Shear Key Details (IGSK) standard sheet for all shear key details and notes, if applicable. Bent selected must be based on the average span length rounded up to the next 5 ft increment. Details are drawn showing right forward skew. See Bridge Layout for actual skew direction. These bent details may be used with standard SIG-62-40-30 only.

Cover dimensions are clear dimensions, unless noted otherwise. Reinforcing bar dimensions shown are out-to-out of bar.

MATERIAL NOTES:
 Provide Class C concrete ($f'c = 3,600$ psi). Provide Class C (HPC) concrete if shown elsewhere in the plans. Provide Grade 60 reinforcing steel. Galvanize dowel bars D.

HL93 LOADING

		Bridge Division Standard	
INTERIOR BENTS TYPE TX62 PRESTR CONC I-GIRDERS 40' ROADWAY 30° SKEW BIG-62-40-30			
FILE: big55sts-17.dgn	DN: TAR	CK: SDB	DW: JTR
©TxDOT August 2017	CONT	SECT	JOB
REVISIONS	DIST	COUNTY	SHEET NO.