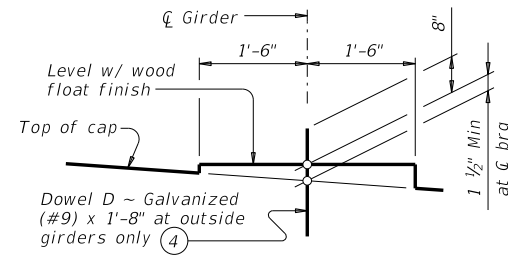


DISCLAIMER: The use of this standard is governed by the "Texas Engineering Practice Act". No warranty of any kind is made by TxDOT for any purpose whatsoever. TxDOT assumes no responsibility for the conversion of this standard to other formats or for incorrect results or damages resulting from its use.

DATE: FILE:



BEARING SEAT DETAIL
 (Bearing surface must be clean and free of all loose material before placing bearing pad.)

TABLE OF MAXIMUM ALLOWABLE EXPOSED PILE HEIGHTS AND PILE LOADS (2)

| Pile Type | | Max Ht | Max Load |
|-----------|--------------|--------|-----------|
| Concrete | Steel | Ft | Tons/Pile |
| 18" Sq | HP14x117 (5) | 20 | 90 |
| 20" Sq | HP18x135 | 24 | 110 |
| 24" Sq | (3) | 24 | 140 |

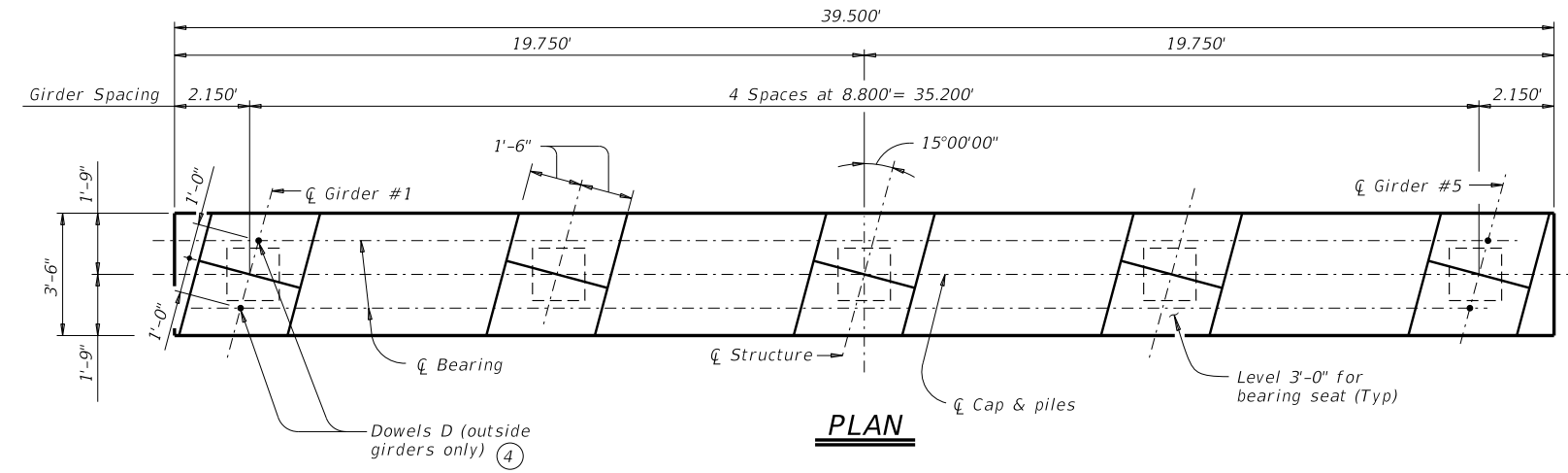
FOUNDATION LOADS

| Span Average | Minimum Concrete Pile Size | Tx28, Tx34 & Tx40 GIRDERS | Tx46 & Tx54 GIRDERS |
|--------------|----------------------------|---------------------------|---------------------|
| | | Pile Loads | Pile Loads |
| Ft | In. | (Tons/Pile) | (Tons/Pile) |
| 40 | 18 | 65 | 69 |
| 45 | | 71 | 75 |
| 50 | | 77 | 81 |
| 55 | 20 | 83 | 87 |
| 60 | | 88 | 93 |
| 65 | | 94 | 99 |
| 70 | 24 | 100 | 105 |
| 75 | | 105 | 111 |
| 80 | | 111 | 117 |
| 85 | | 116 | 123 |

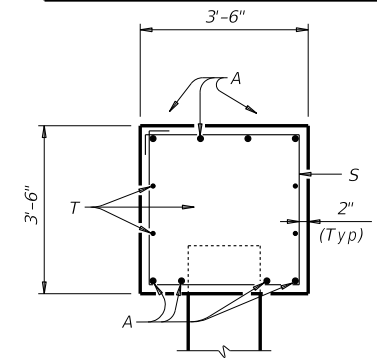
TABLE OF ESTIMATED QUANTITIES

40' THRU 85' SPANS

| Bar | No. | Size | Length | Weight |
|--------------------|-----|------|--------|--------|
| A | 8 | #9 | 39'-2" | 1,065 |
| D (4) | 4 | #9 | 1'-8" | 23 |
| S | 42 | #5 | 13'-8" | 599 |
| T | 4 | #5 | 39'-2" | 163 |
| Reinforcing Steel | | | Lb | 1,850 |
| Class "C" Concrete | | | CY | 18.1 |

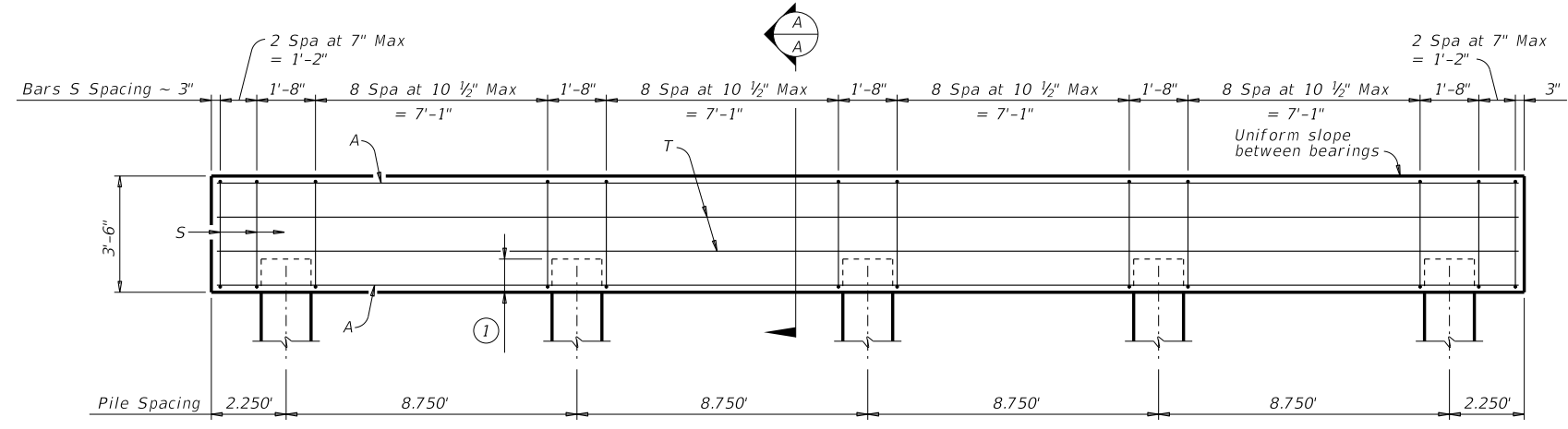


PLAN



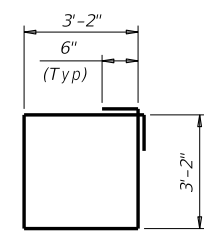
SECTION A-A

- See FD standard.
- In areas of very soft soil or where scour is anticipated, maximum allowable exposed pile heights must be evaluated by the Engineer prior to use of this standard.
- Where no steel HP section is shown, a suitable HP equivalent to the square concrete pile has not been evaluated.
- Omit dowels at end of multi-span units. Adjust reinforcing steel total accordingly.
- When HP14x117 steel piling is specified in the plans, the Contractor has the option of furnishing either HP14x117 or HP16x101 steel piling.



ELEVATION

Note: For piling larger than 18", adjust Bars S as required to avoid piling.



BARS S

GENERAL NOTES:
 Designed according to AASHTO LRFD Bridge Design Specifications.
 For bents supporting unequal spans, the shorter span cannot be less than 80 percent of the longer span.
 These details are limited to an 85' maximum span length.
 See Bridge Layout for piling size and length.
 See Common Foundation Details (FD) standard sheet for all foundation details and notes.
 Bent selected must be based on the average span length rounded up to the next 5 ft increment.
 Details are drawn showing right forward skew. See Bridge Layout for actual skew direction.
 These bent details may be used with standard SIG-38-15 only.

Cover dimensions are clear dimensions, unless noted otherwise. Reinforcing bar dimensions shown are out-to-out of bar.

MATERIAL NOTES:
 Provide Class C concrete (f'c = 3,600 psi).
 Provide Class C (HPC) concrete if shown in the plans.
 Provide Grade 60 reinforcing steel.
 Galvanize dowel bars D.

HL93 LOADING

Bridge Division Standard

INTERIOR TRESTLE BENTS
 TY TX28 THRU TX54
 PRESTR CONC I-GIRDERS
 38' ROADWAY 15° SKEW

BTIG-38-15

| | | | | |
|-----------------------|---------|---------|---------|-----------|
| FILE: big74sts-17.dgn | DN: TAR | CK: SDB | DW: JTR | CK: TAR |
| ©TxDOT August 2017 | CONT | SECT | JOB | HIGHWAY |
| REVISIONS | | | | |
| DIST | | COUNTY | | SHEET NO. |