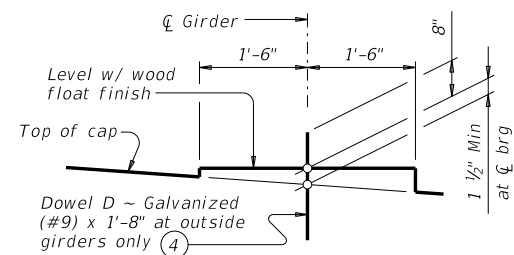


DISCLAIMER: The use of this standard is governed by the "Texas Engineering Practice Act". No warranty of any kind is made by TxDOT for any purpose whatsoever. TxDOT assumes no responsibility for the conversion of this standard to other formats or for incorrect results or damages resulting from its use.

DATE: FILE:



BEARING SEAT DETAIL
(Bearing surface must be clean and free of all loose material before placing bearing pad.)

TABLE OF MAXIMUM ALLOWABLE EXPOSED PILE HEIGHTS AND PILE LOADS (2)

Pile Type		Max Ht	Max Load
Concrete	Steel	Ft	Tons/Pile
18" Sq	HP14x117 (5)	20	90
20" Sq	HP18x135	24	110
24" Sq	(3)	24	140

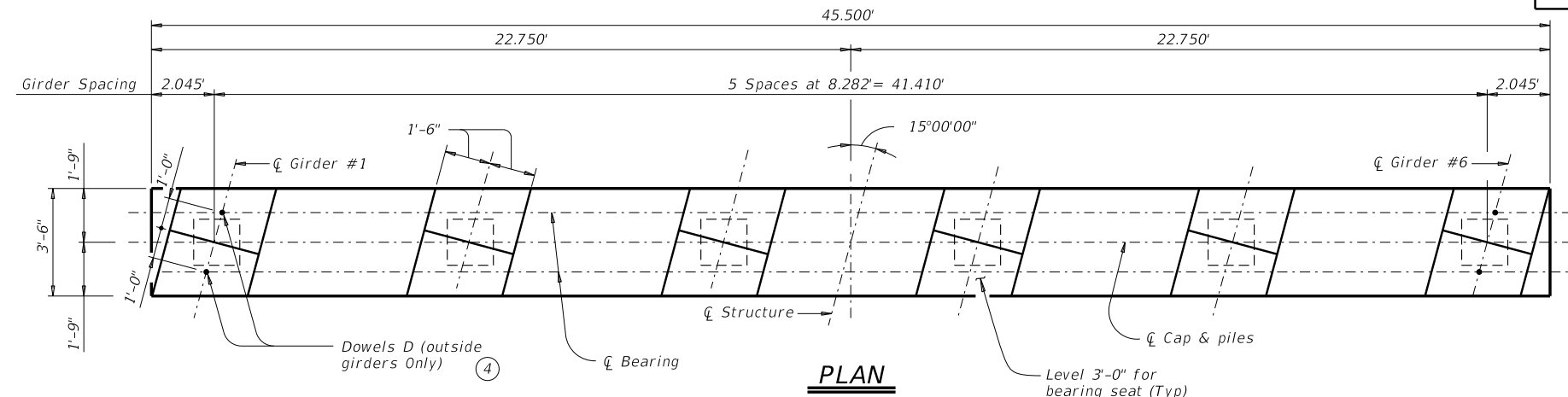
FOUNDATION LOADS

Span Average	Minimum Concrete Pile Size	Tx28, Tx34 & Tx40 GIRDERS	Tx46 & Tx54 GIRDERS
		Pile Loads	Pile Loads
Ft	In.	(Tons/Pile)	(Tons/Pile)
40	18	60	63
45		66	69
50		71	75
55		76	81
60	20	82	87
65		87	92
70		92	98
75	24	98	104
80		103	109
85		108	115

TABLE OF ESTIMATED QUANTITIES

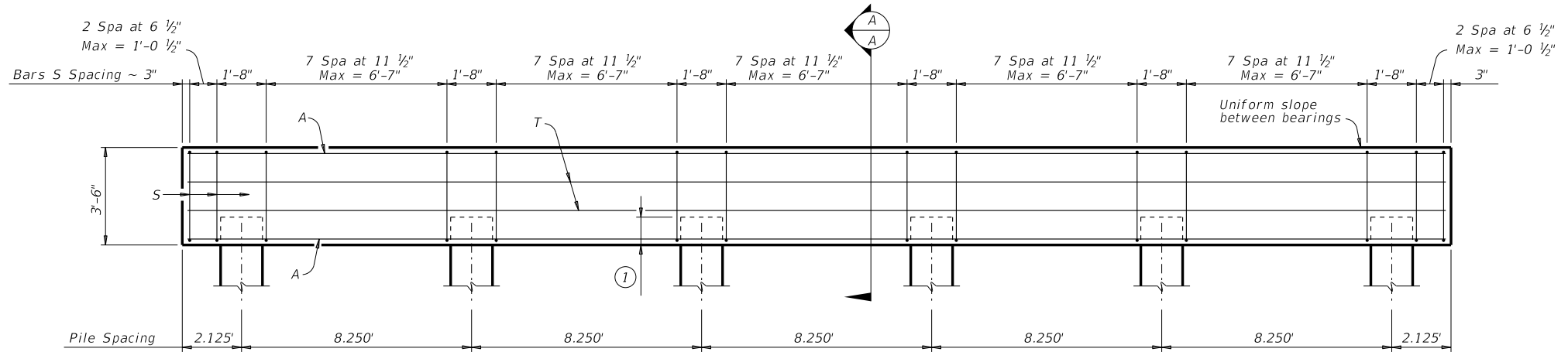
40' THRU 85' SPANS

Bar	No.	Size	Length	Weight	
A	8	#9	45'-2"	1,229	
D (4)	4	#9	1'-8"	23	
S	46	#5	13'-8"	656	
T	4	#5	45'-2"	188	
Reinforcing Steel				Lb	2,096
Class "C" Concrete				CY	20.9



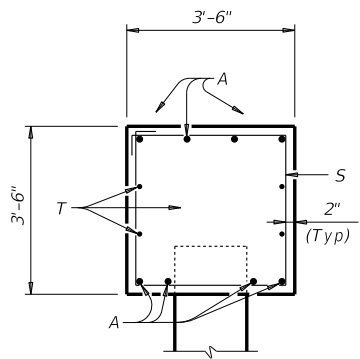
PLAN

- (1) See FD standard.
- (2) In areas of very soft soil or where scour is anticipated, maximum allowable exposed pile heights must be evaluated by the Engineer prior to use of this standard.
- (3) Where no steel HP section is shown, a suitable HP equivalent to the square concrete pile has not been evaluated.
- (4) Omit dowels at end of multi-span units. Adjust reinforcing steel total accordingly.
- (5) When HP14x117 steel piling is specified in the plans, the Contractor has the option of furnishing either HP14x117 or HP16x101 steel piling.

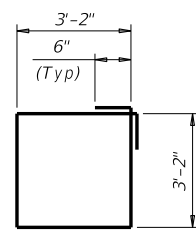


ELEVATION

Note: For piling larger than 18", adjust Bars S as required to avoid piling.



SECTION A-A



BARS S

GENERAL NOTES:
 Designed according to AASHTO LRFD Bridge Design Specifications.
 For bents supporting unequal spans, the shorter span cannot be less than 80 percent of the longer span.
 The details are limited to an 85' maximum span length.
 See Bridge Layout for piling size and length.
 See Common Foundation Details (FD) standard sheet for all foundation details and notes.
 Bent selected must be based on the average span length rounded up to the next 5 ft increment.
 Details are drawn showing right forward skew. See Bridge Layout for actual skew direction.
 These bent details may be used with standard SIG-44-15 only.

Cover dimensions are clear dimensions, unless noted otherwise.
 Reinforcing bar dimensions shown are out-to-out of bar.

MATERIAL NOTES:
 Provide Class C concrete (f'c = 3,600 psi).
 Provide Class C (HPC) concrete if shown elsewhere in the plans.
 Provide Grade 60 reinforcing steel.
 Galvanize dowel bars D.

HL93 LOADING

Texas Department of Transportation		Bridge Division Standard	
INTERIOR TRESTLE BENTS TY TX28 THRU TX54 PRESTR CONC I-GIRDERS 44' ROADWAY 15° SKEW			
BTIG-44-15			
FILE: big82sts-17.dgn	DN: TAR	CK: SDB	DW: JTR
©TxDOT August 2017	CON: SECT	JOB	HIGHWAY
REVISIONS		DIST	COUNTY
		SHEET NO.	