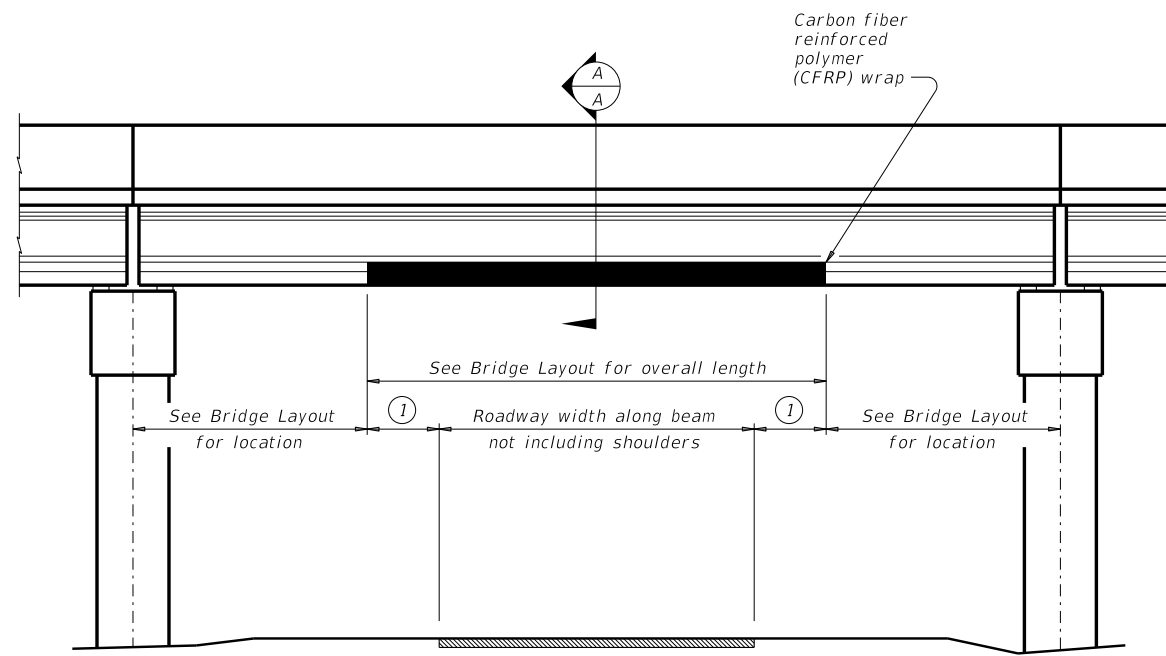


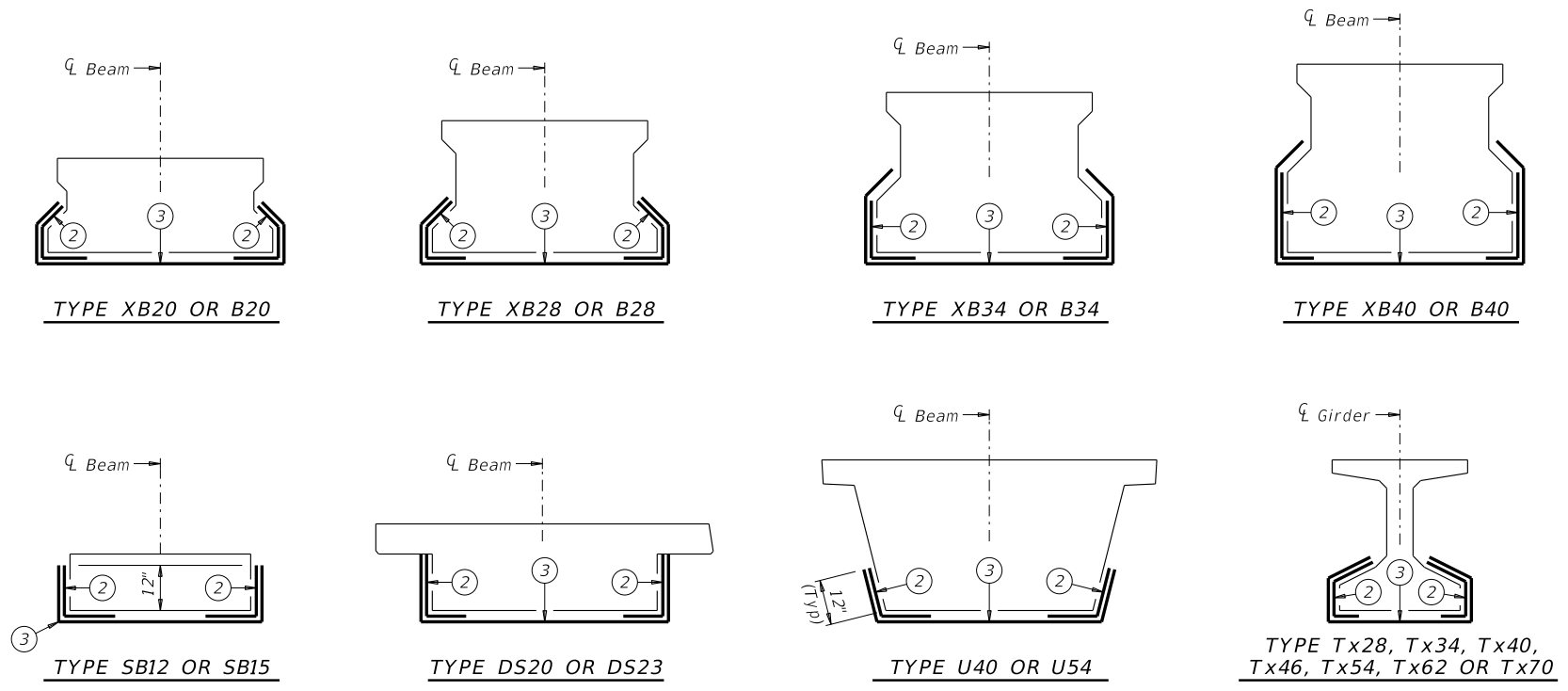
DISCLAIMER: The use of this standard is governed by the "Texas Engineering Practice Act". No warranty of any kind is made by TxDOT for any purpose whatsoever. TxDOT assumes no responsibility for the conversion of this standard to other formats or for incorrect results or damages resulting from its use.

DATE:
FILE:



TYPICAL BRIDGE ELEVATION

- ① 1'-0" Min, 3'-0" Max
- ② First layer - place 24" wide carbon fiber fabric sheets longitudinally on beams/girders, with fiber orientation parallel to beam/girder centerline. Locate sheets on bottom corners of beam/girder as shown. Fabric sheets may be overlapped 6" minimum in the longitudinal direction to achieve full installation length.
- ③ Second layer - place carbon fiber fabric sheets transversely on beam/girder, with fiber orientation perpendicular to beam/girder centerline. Wrap sheets on bottom and sides of beam/girder to limits shown. Butt joint wraps in the longitudinal direction to achieve full installation length.



SECTION A-A
Showing typical beam sections.

CFRP TABLE	
BEAM / GIRDER TYPE	(SQ FT) AREA PER LF
4XB20 OR 4B20	5.8
5XB20 OR 5B20	6.8
4XB28 OR 4B28	6.0
5XB28 OR 5B28	7.0
4XB34 OR 4B34	7.0
5XB34 OR 5B34	8.0
4XB40 OR 4B40	8.0
5XB40 OR 5B40	9.0
4SB12 OR 4SB15	6.0
5SB12 OR 5SB15	7.0
6DS20, 7DS20 OR 8DS20	7.0
6DS23, 7DS23 OR 8DS23	7.5
U40 OR U54	6.6
Tx28, Tx34 OR Tx40	5.6
Tx46, Tx54, Tx62 OR Tx70	5.9

CONSTRUCTION NOTES:
 If beams or girders are spaced closely together, install CFRP wrap prior to beam erection.
 For unpainted beams/girders, install approved CFRP system and apply the protective top coating with color and texture to match adjacent concrete. Mask adjacent concrete prior to coating.
 For painted beams/girders, install approved CFRP system and apply the protective top coating prior to painting. Paint concrete and CFRP to produce uniform finish, as specified elsewhere.

GENERAL NOTES:
 Provide and apply CFRP system, including protective top coating, in accordance with Item 786, "Carbon Fiber Reinforced Polymer (CFRP)".
 Install CFRP wrap to beams/girders shown on the layout, in the location and to the limits given.
 Payment for the Bridge Protective Beam Wrap is in accordance with Item 786. Quantity is measured by the square foot of beam/girder surface area covered.

		Bridge Division Standard	
BRIDGE PROTECTIVE BEAM WRAP			
BPBW			
FILE: bpbwstd1-19.dgn	DN: KRP	CK: AES	DW: JTR
©TxDOT April 2019	CONT	SECT	JOB
REVISIONS		HIGHWAY	
DIST		COUNTY	
		SHEET NO.	