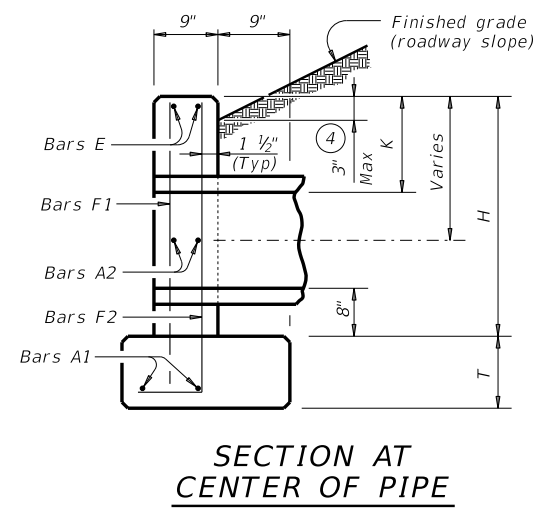
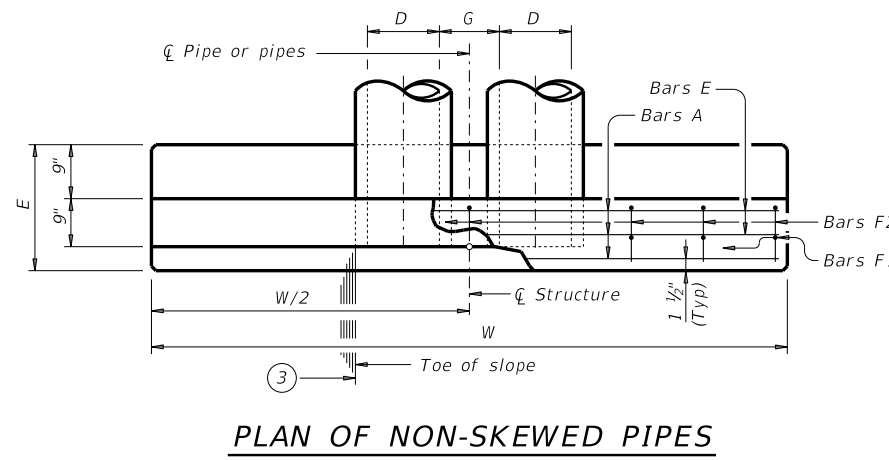
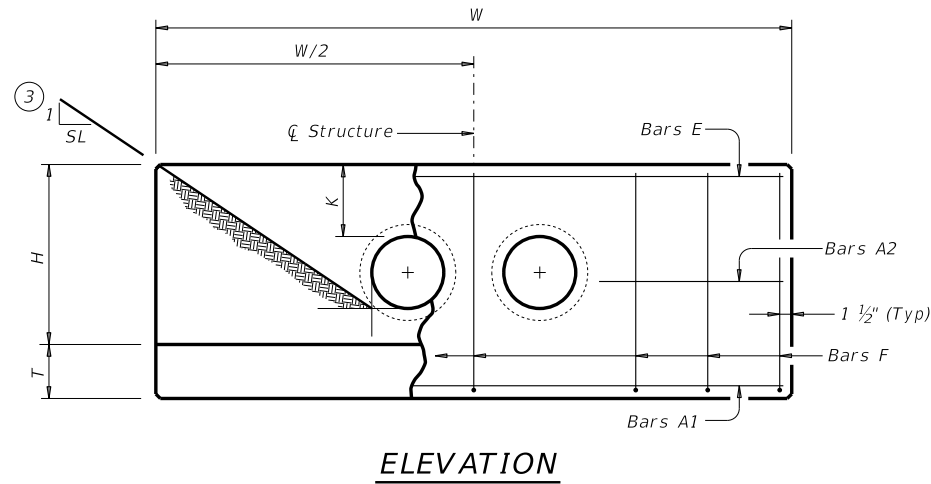
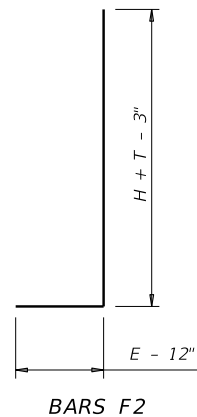


DISCLAIMER: The use of this standard is governed by the Texas Engineering Practice Act. No warranty of any kind is made by TxDOT for any purpose whatsoever. TxDOT assumes no responsibility for the conversion of this standard to other formats or for incorrect results or damages resulting from its use.

DATE: FILE:

### TABLE OF VARIABLE DIMENSIONS AND QUANTITIES FOR ONE HEADWALL

Slope	Dia of Pipe (D)	Values for One Pipe		Values To Be Added for Each Add'l Pipe			
		W	Reinf (Lbs) (1)	Conc (CY) (2)	W	Reinf (Lbs) (1)	Conc (CY) (2)
2:1	12"	9' - 0"	122	1.1	1' - 9"	15	0.2
	15"	10' - 3"	136	1.3	2' - 2"	16	0.2
	18"	11' - 6"	163	1.5	2' - 8"	19	0.3
	21"	12' - 9"	200	1.8	3' - 1"	31	0.4
	24"	14' - 0"	217	2.1	3' - 7"	34	0.4
	27"	15' - 3"	254	2.4	3' - 11"	37	0.5
	30"	16' - 6"	272	2.7	4' - 4"	40	0.6
	33"	17' - 9"	314	3.1	4' - 8"	43	0.6
	36"	19' - 0"	371	3.9	5' - 1"	46	0.8
	42"	21' - 6"	442	4.9	5' - 10"	52	1.0
	48"	25' - 0"	569	6.4	6' - 7"	59	1.3
	54"	27' - 6"	701	7.5	7' - 6"	82	1.6
60"	30' - 0"	794	8.8	8' - 3"	90	1.8	
66"	32' - 6"	894	10.2	8' - 9"	96	2.0	
72"	35' - 0"	1,055	11.7	9' - 4"	103	2.3	
3:1	12"	13' - 0"	175	1.6	1' - 9"	14	0.2
	15"	14' - 9"	193	1.9	2' - 2"	17	0.2
	18"	16' - 6"	228	2.2	2' - 8"	19	0.3
	21"	18' - 3"	299	2.6	3' - 1"	31	0.4
	24"	20' - 0"	323	3.0	3' - 7"	33	0.4
	27"	21' - 9"	371	3.5	3' - 11"	37	0.5
	30"	23' - 6"	415	4.0	4' - 4"	40	0.5
	33"	25' - 3"	469	4.6	4' - 8"	43	0.6
	36"	27' - 0"	556	5.7	5' - 1"	46	0.8
	42"	30' - 6"	675	7.1	5' - 10"	52	1.0
	48"	35' - 6"	837	9.2	6' - 7"	59	1.3
	54"	39' - 0"	1,015	11.0	7' - 6"	84	1.6
60"	42' - 6"	1,171	12.9	8' - 3"	91	1.8	
66"	46' - 0"	1,298	14.9	8' - 9"	98	2.0	
72"	49' - 6"	1,561	17.1	9' - 4"	103	2.3	
4:1	12"	17' - 0"	229	2.0	1' - 9"	15	0.2
	15"	19' - 3"	266	2.4	2' - 2"	17	0.2
	18"	21' - 6"	308	2.9	2' - 8"	19	0.3
	21"	23' - 9"	382	3.5	3' - 1"	31	0.3
	24"	26' - 0"	430	3.9	3' - 7"	34	0.4
	27"	28' - 3"	486	4.7	3' - 11"	37	0.5
	30"	30' - 6"	539	5.2	4' - 4"	40	0.6
	33"	32' - 9"	603	6.0	4' - 8"	42	0.6
	36"	35' - 0"	738	7.5	5' - 1"	47	0.8
	42"	39' - 6"	881	9.3	5' - 10"	52	1.0
	48"	46' - 0"	1,102	12.1	6' - 7"	61	1.3
	54"	50' - 6"	1,364	14.4	7' - 6"	84	1.6
60"	55' - 0"	1,547	16.9	8' - 3"	91	1.8	
66"	59' - 6"	1,741	19.5	8' - 9"	98	2.0	
72"	64' - 0"	2,077	22.4	9' - 4"	102	2.3	
6:1	12"	25' - 0"	336	3.0	1' - 9"	14	0.2
	15"	28' - 3"	384	3.6	2' - 2"	17	0.2
	18"	31' - 6"	452	4.2	2' - 8"	19	0.3
	21"	34' - 9"	581	5.1	3' - 1"	31	0.4
	24"	38' - 0"	644	5.8	3' - 7"	34	0.4
	27"	41' - 3"	737	6.9	3' - 11"	37	0.5
	30"	44' - 6"	807	7.7	4' - 4"	39	0.6
	33"	47' - 9"	912	8.9	4' - 8"	44	0.6
	36"	51' - 0"	1,108	11.0	5' - 1"	48	0.8
	42"	57' - 6"	1,318	13.7	5' - 10"	54	1.0
	48"	67' - 0"	1,682	17.9	6' - 7"	59	1.3
	54"	73' - 6"	2,072	21.3	7' - 6"	83	1.6
60"	80' - 0"	2,351	24.9	8' - 3"	89	1.8	
66"	86' - 6"	2,643	28.9	8' - 9"	96	2.0	
72"	93' - 0"	3,121	33.1	9' - 4"	101	2.3	



- ① Total quantities include one 3'-1" lap for bars over 60' in length.
- ② Quantities shown are for concrete pipe and will increase slightly for metal pipe installations.
- ③ Indicated slope is perpendicular to centerline pipe or pipes.
- ④ For vehicle safety, construct curbs no more than 3" above finished grade. Reduce curb heights, if necessary, to meet these requirements. No changes will be made in quantities and no additional compensation will be allowed for this work.
- ⑤ Dimensions shown are usual and maximum.
- ⑥ Quantities shown are for one structure end only (one headwall).

### TABLE OF CONSTANT DIMENSIONS

Dia of Pipe (D)	G	K (5)	H	T	E
12"	0' - 9"	1' - 0"	2' - 8"	0' - 9"	1' - 9"
15"	0' - 11"	1' - 0"	2' - 11"	0' - 9"	1' - 9"
18"	1' - 2"	1' - 0"	3' - 2"	0' - 9"	1' - 9"
21"	1' - 4"	1' - 0"	3' - 5"	0' - 9"	2' - 0"
24"	1' - 7"	1' - 0"	3' - 8"	0' - 9"	2' - 0"
27"	1' - 8"	1' - 0"	3' - 11"	0' - 9"	2' - 3"
30"	1' - 10"	1' - 0"	4' - 2"	0' - 9"	2' - 3"
33"	1' - 11"	1' - 0"	4' - 5"	0' - 9"	2' - 6"
36"	2' - 1"	1' - 0"	4' - 8"	1' - 0"	2' - 6"
42"	2' - 4"	1' - 0"	5' - 2"	1' - 0"	2' - 9"
48"	2' - 7"	1' - 3"	5' - 11"	1' - 0"	3' - 0"
54"	3' - 0"	1' - 3"	6' - 5"	1' - 0"	3' - 3"
60"	3' - 3"	1' - 3"	6' - 11"	1' - 0"	3' - 6"
66"	3' - 3"	1' - 3"	7' - 5"	1' - 0"	3' - 9"
72"	3' - 4"	1' - 3"	7' - 11"	1' - 0"	4' - 0"

### TABLE OF REINFORCING STEEL

Bar	Size	Spa	No.
A1	#5	~	2
A2	#5	1' - 6"	~
E	#5	~	2
F	#5	1' - 0"	~

**MATERIAL NOTES:**  
 Provide Grade 60 reinforcing steel.  
 Provide Class C concrete (f'c = 3,600 psi).

**GENERAL NOTES:**  
 Designed according to AASHTO LRFD Bridge Design Specifications.  
 Do not mount bridge rails of any type directly to these culvert headwalls.  
 This standard may not be used for wall heights, H, exceeding the values shown.

Cover dimensions are clear dimensions, unless noted otherwise.  
 Reinforcing dimensions are out-to-out of bars.



## CONCRETE HEADWALLS WITH PARALLEL WINGS FOR NON-SKEWED PIPE CULVERTS

### CH-PW-0

FILE: chpw0ste-20.dgn	DN: TxDOT	CK: TxDOT	DW: TxDOT	CK: TxDOT
©TxDOT February 2020	CONT	SECT	JOB	HIGHWAY
REVISIONS	DIST		COUNTY	SHEET NO.