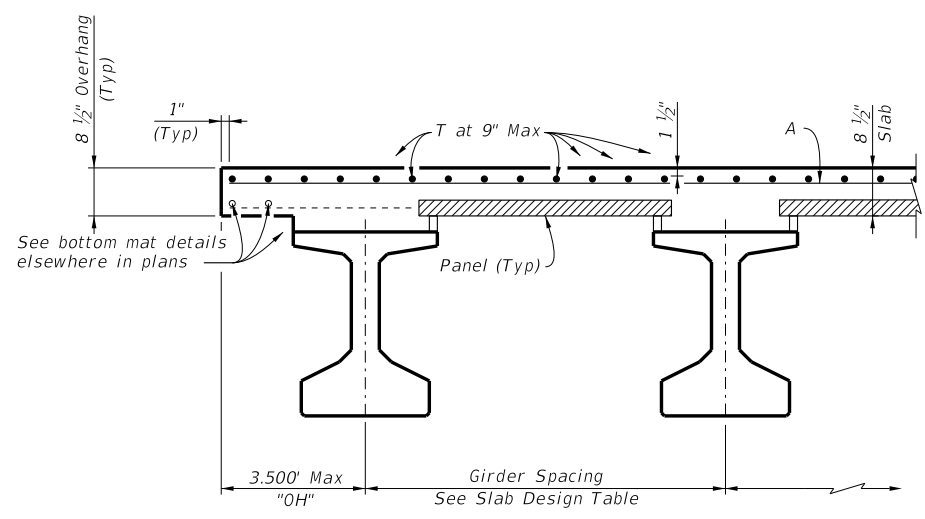
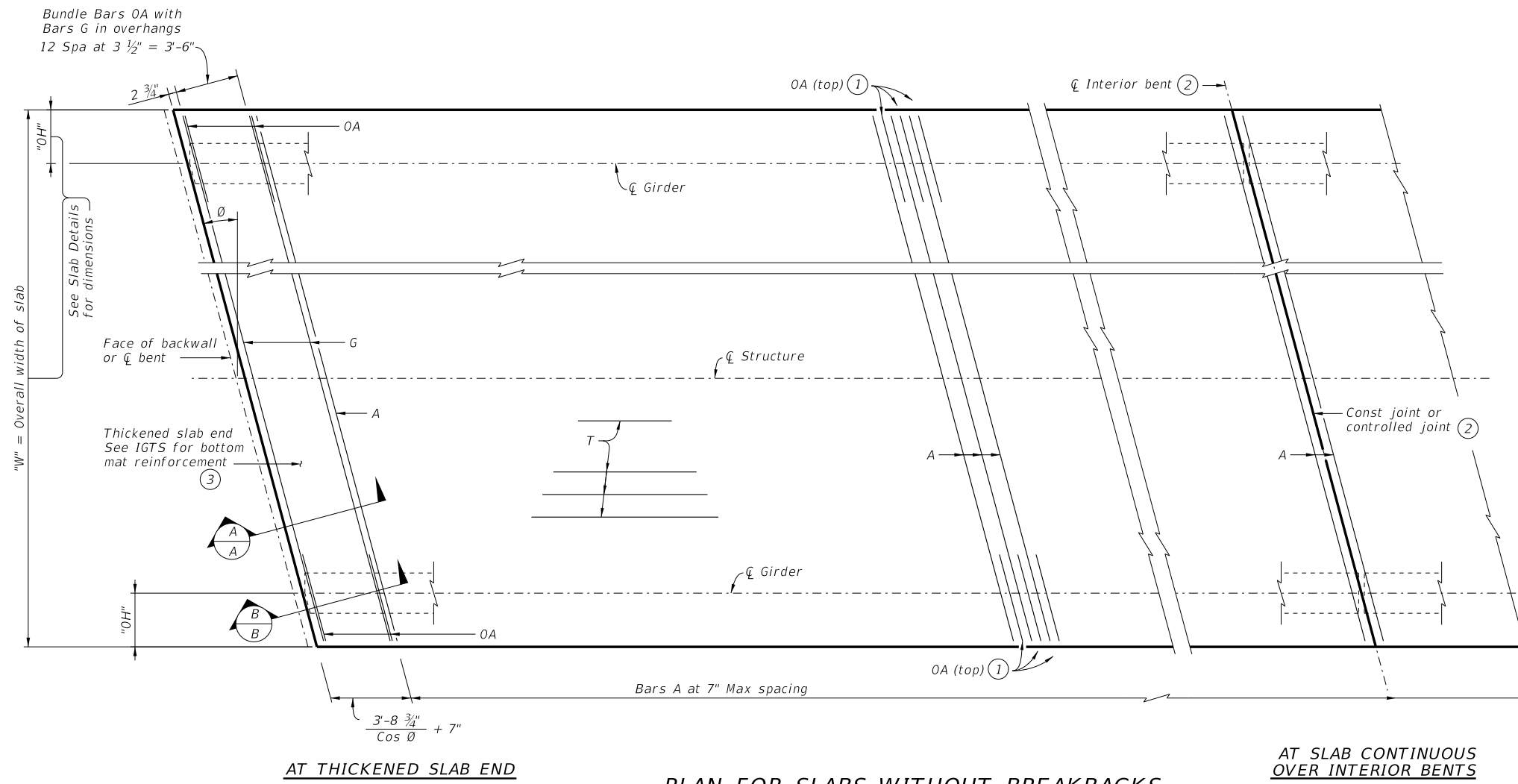
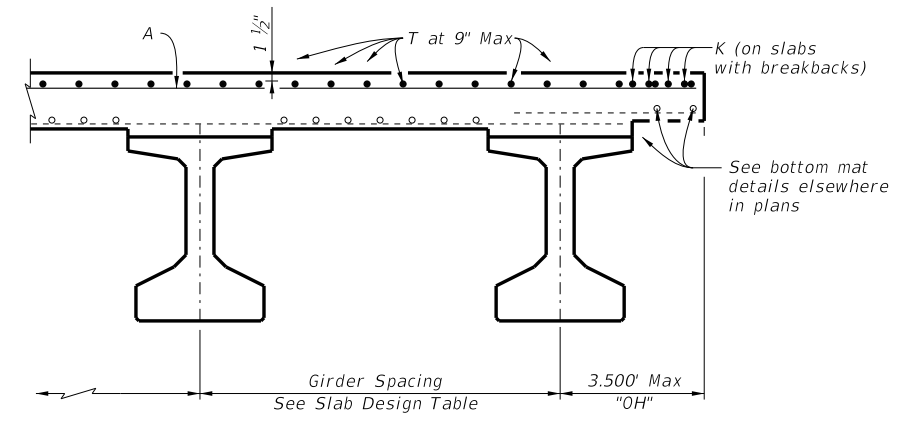


DISCLAIMER: The use of this standard is governed by the "Texas Engineering Practice Act". No warranty of any kind is made by TxDOT for any purpose whatsoever. TxDOT assumes no responsibility for the conversion of this standard to other formats or for incorrect results or damages resulting from its use.



PARTIAL TYPICAL TRANSVERSE SECTION



SECTION OF THICKENED SLAB END
Showing PCP Option 1. Option 2 similar.

- ① Place Bars OA midway between Bars A at overhang.
- ② Bars are continuous through joint.
- ③ Thickened slab end dimensioned perpendicular to face of bkwl, centerline interior bent or face of inverted-T stem.

**GFRP SLAB TOP MAT REINFORCEMENT
 PRESTRESSED CONC I-GIRDER SPANS**

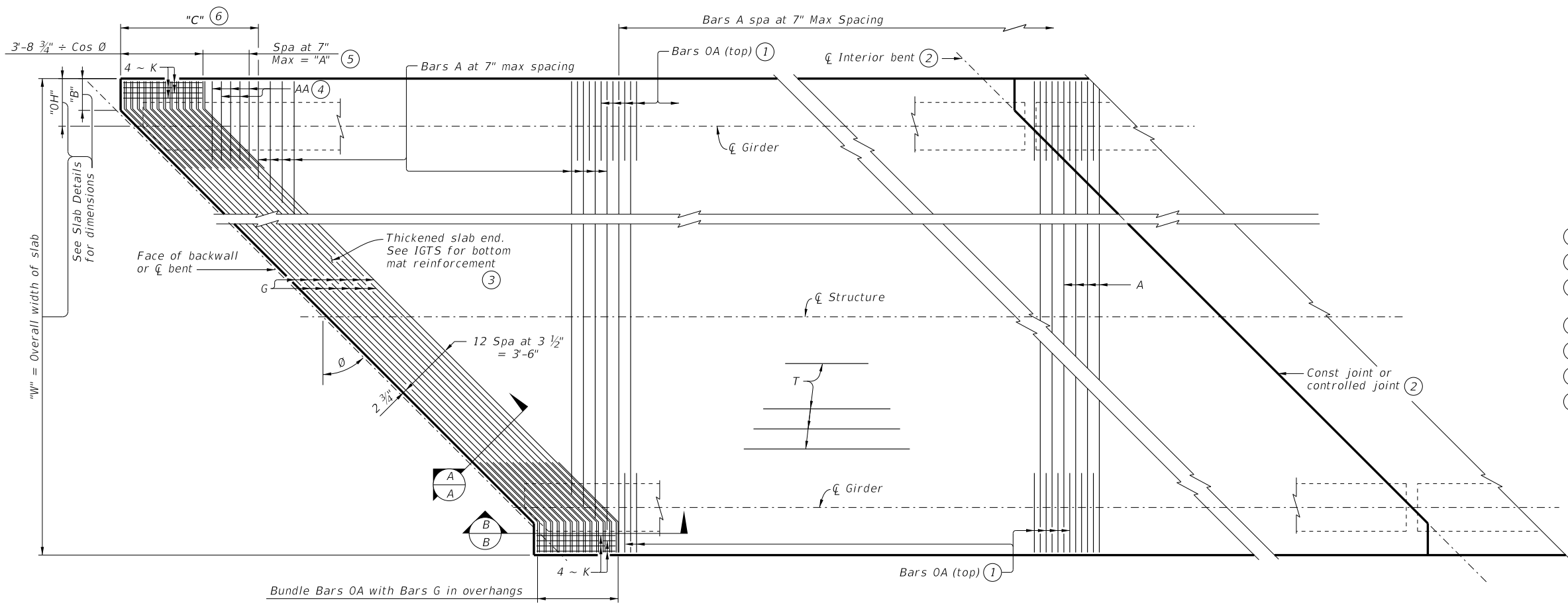
IGFRP

FILE: igfrp001-19.dgn	DN: TxDOT	CK: TxDOT	DW: TxDOT	CK: TxDOT
©TxDOT August 2017	CONT	SECT	JOB	HIGHWAY
REVISIONS				
10-19: Updated to latest design specification.				
DIST	COUNTY	SHEET NO.		

DATE:
FILE:

BAR TABLE

BAR	SIZE
A	#5
AA	#5
G	#5
K	#5
OA	#5
T	#5



- ① Place Bars OA midway between Bars A at overhang.
- ② Bars are continuous through joint.
- ③ Thickened slab end dimensioned perpendicular to face of bkwl, centerline interior bent or face of inverted-T stem.
- ④ Tie Bars AA to bottom of Bars G in this location.
- ⑤ $A = ("OH" + 2.333' - "B") \times \tan \theta$
- ⑥ $C = \frac{3.729'}{\cos \theta} + "A" + \text{Bar A spacing}$
- ⑦ Only required on slabs with breakbacks.

AT THICKENED SLAB END

PLAN FOR SLABS WITH BREAKBACKS

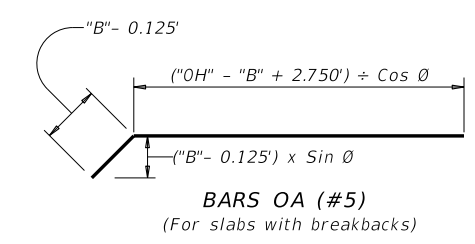
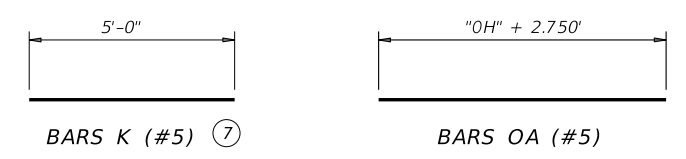
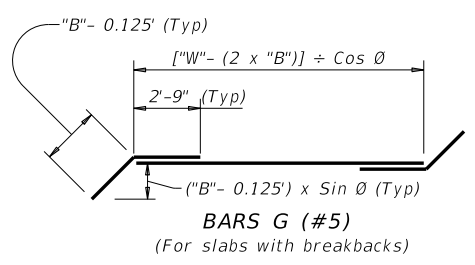
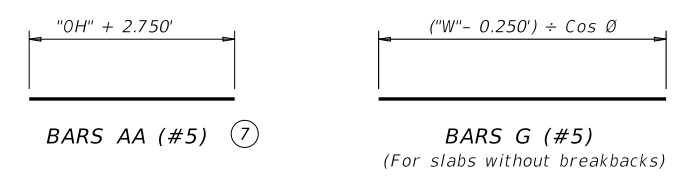
Showing top mat reinforcement only.

AT SLAB CONTINUOUS OVER INTERIOR BENTS

GENERAL NOTES:
 Designed according to AASHTO LRFD Bridge Design Specifications and AASHTO LRFD Bridge Design Guide Specifications for GFRP-Reinforced Concrete, 2nd Edition. These details are restricted to Prestressed Concrete I-Girder spans with an 8 1/2" slab and up to a 10'-0" girder spacing.
 These details are to be used in conjunction with the Span Details and PCP Standard (if prestressed concrete panels are used).
 This standard provides Glass Fiber Reinforced Polymer (GFRP) reinforcement details for the top mat of slab reinforcement. The bottom mat reinforcement and other slab details are as shown elsewhere in the plans.
 The Contractor has the option to provide GFRP reinforcement, in accordance with the details shown, when epoxy-coated steel bars are specified for the deck slab. The Contractor may provide an alternate GFRP slab design with calculations signed and sealed by a Professional Engineer.

Cover dimensions are clear dimensions, unless noted otherwise.
 Reinforcing bar dimensions shown are out-to-out of bar.

MATERIAL NOTES:
 Provide GFRP bars, conforming to ASTM D7957/7957M, except provide a minimum modulus of elasticity of 7,500 ksi.
 Provide Grade 60 steel bars for all bottom mat reinforcement as shown elsewhere in plans.
 Provide bar laps, where required, as follows:
 #5 GFRP bar = 2'-9"



DISCLAIMER:
 The use of this standard is governed by the "Texas Engineering Practice Act". No warranty of any kind is made by TxDOT for any purpose whatsoever. TxDOT assumes no responsibility for the conversion of this standard to other formats or for incorrect results or damages resulting from its use.

DATE:
FILE:



**GFRP SLAB TOP MAT REINFORCEMENT
 PRESTRESSED CONC I-GIRDER SPANS**

IGFRP

FILE: igfrp001-19.dgn	DN: TxDOT	CK: TxDOT	DW: TxDOT	CK: TxDOT
©TxDOT August 2017	CONT	SECT	JOB	HIGHWAY
REVISIONS				
10-19: Updated to latest design specification.	DIST	COUNTY	SHEET NO.	