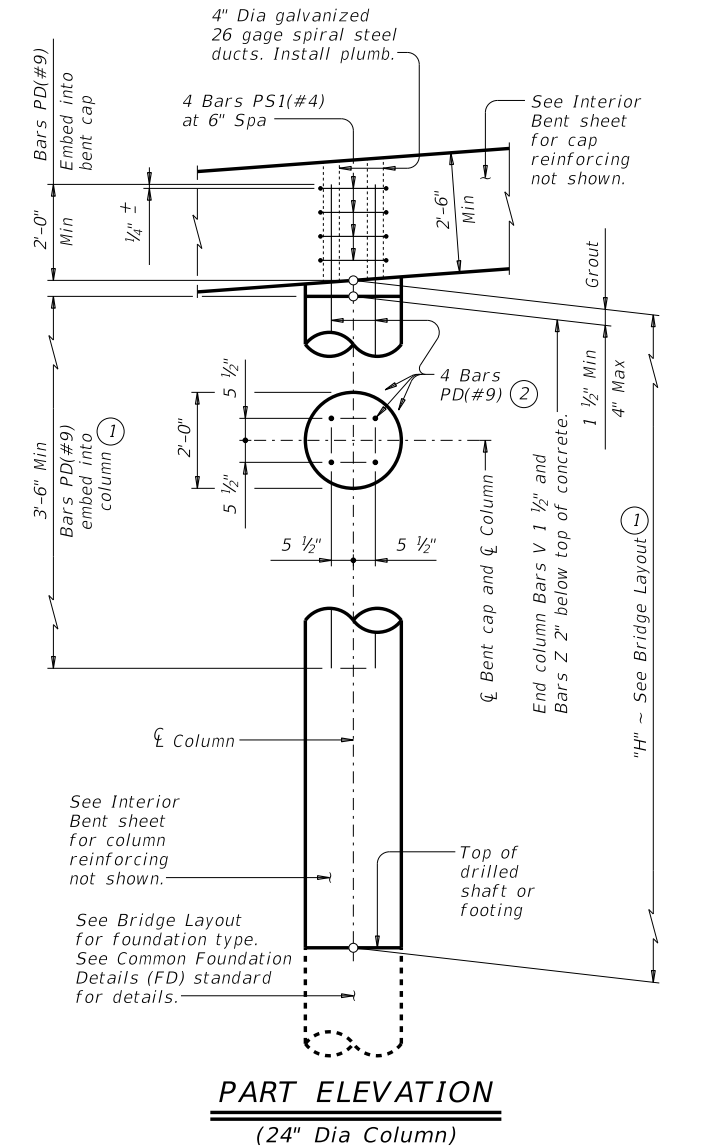
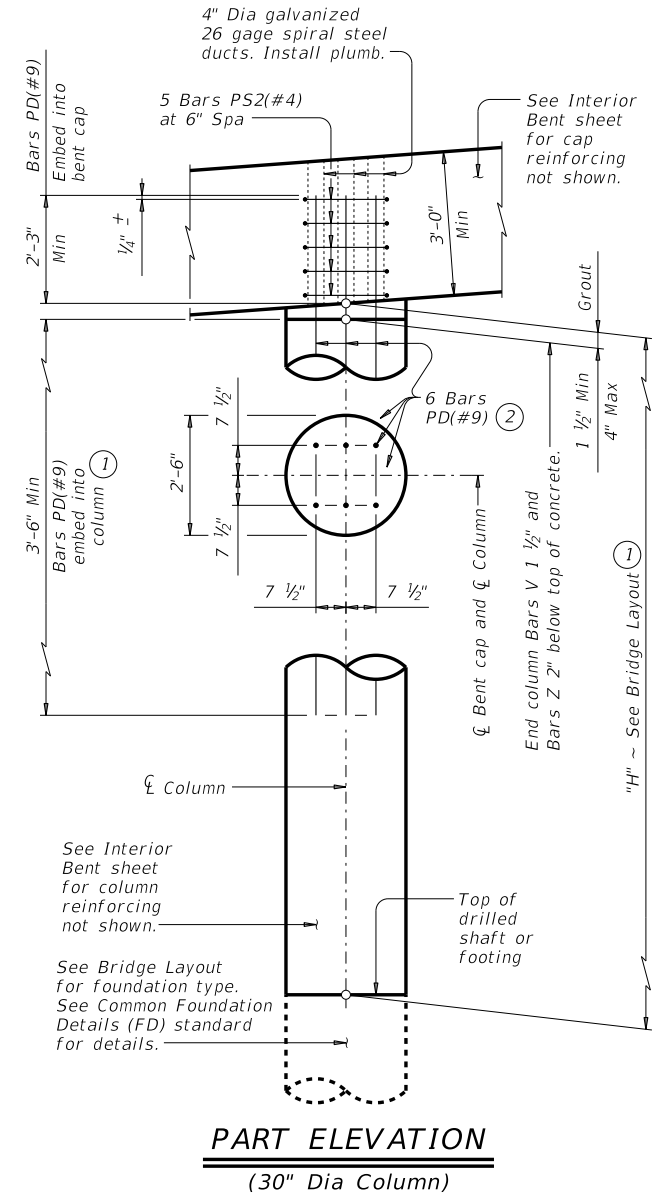
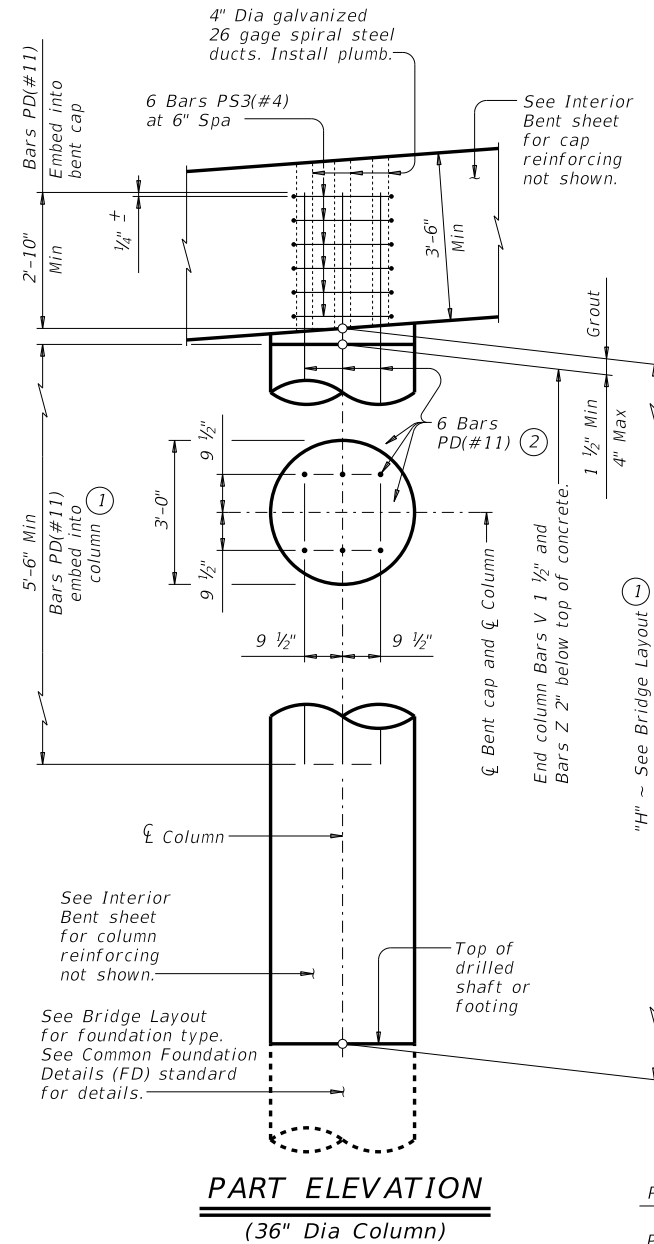
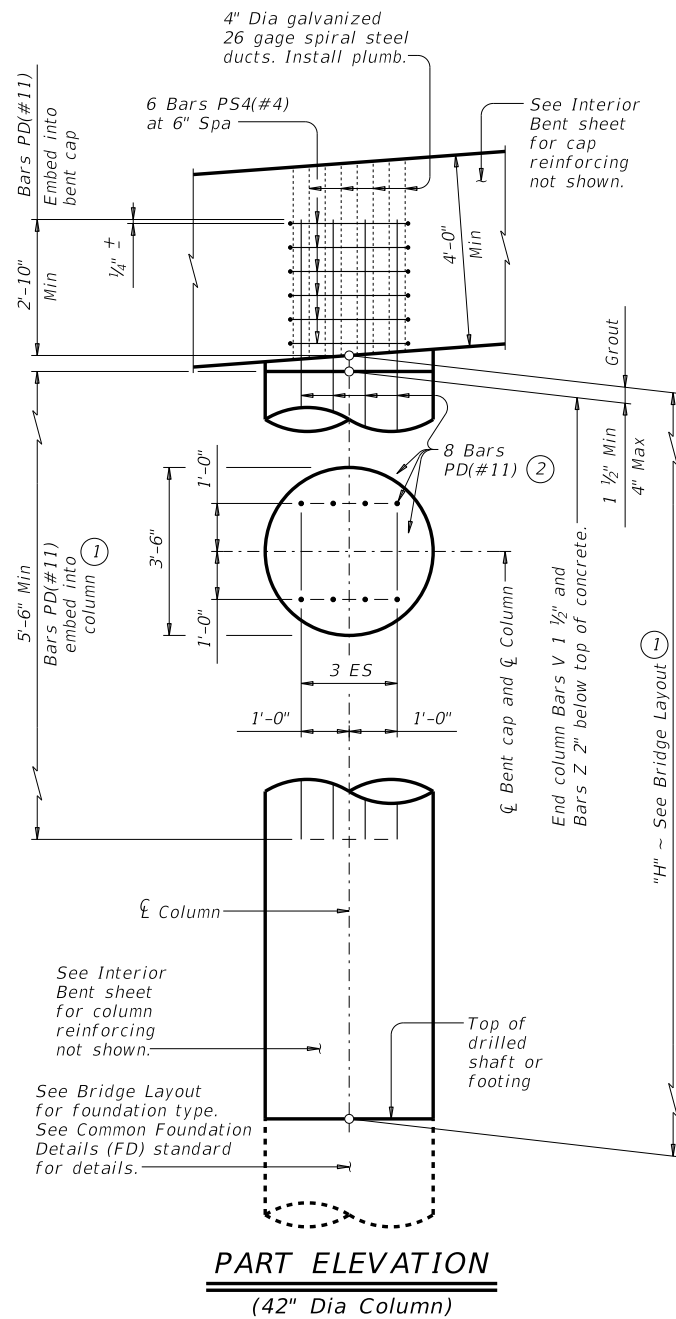
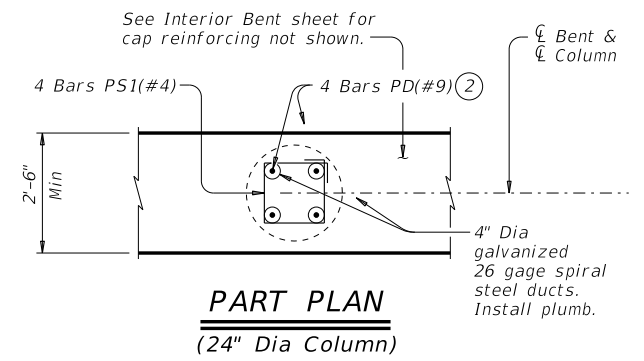
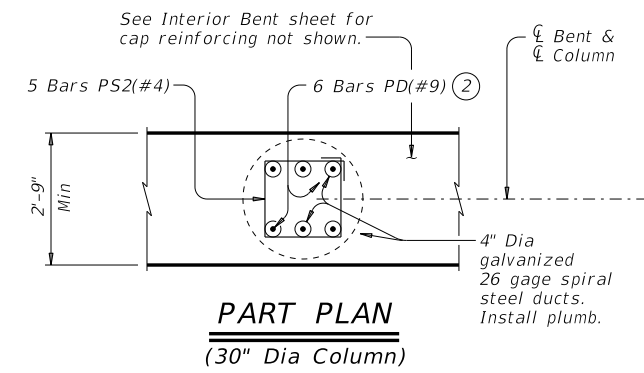
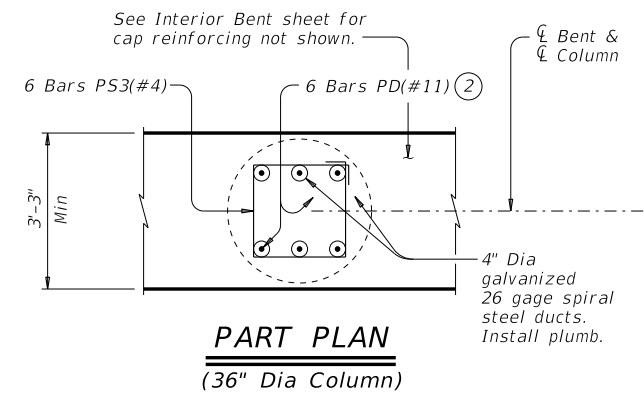
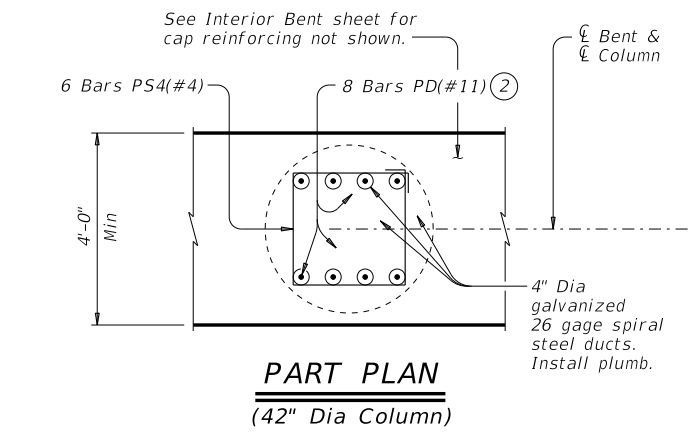


DISCLAIMER: The use of this standard is governed by the "Texas Engineering Practice Act". No warranty of any kind is made by TxDOT for any purpose whatsoever. TxDOT assumes no responsibility for the conversion of this standard to other formats or for incorrect results or damages resulting from its use.

DATE: FILE:



PS1	1'-4 1/4"	PS1	1'-4 1/4"
PS2	1'-8 1/4"	PS2	1'-8 1/4"
PS3	2'-0 1/4"	PS3	2'-0 1/4"
PS4	2'-5 1/4"	PS4	2'-5 1/4"
		(Typ)	5"

BARS PS (#4)

- ① Bars PD may need to be embedded in footing or drilled shaft for short columns.
- ② Location tolerance of dowels in columns/drilled shafts is 1/4" from plan location, transversely and longitudinally.

HL93 LOADING SHEET 1 OF 2

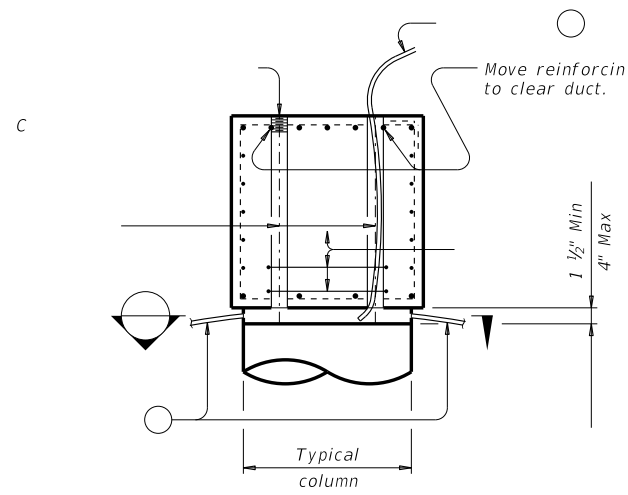


PRECAST CONCRETE BENT CAP OPTION FOR ROUND COLUMNS

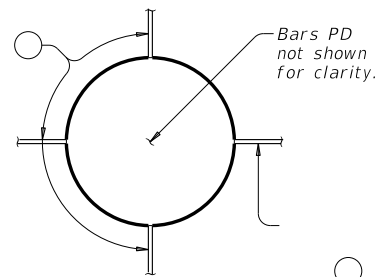
PBC-RC

FILE: pbcstd01-21.dgn	DN: TxDOT	CK: JMH	DW: JTR	CK: TxDOT
©TxDOT April 2019	CONT	SECT	JOB	HIGHWAY
REVISIONS				
12-21: General Notes				
DIST	COUNTY	SHEET NO.		

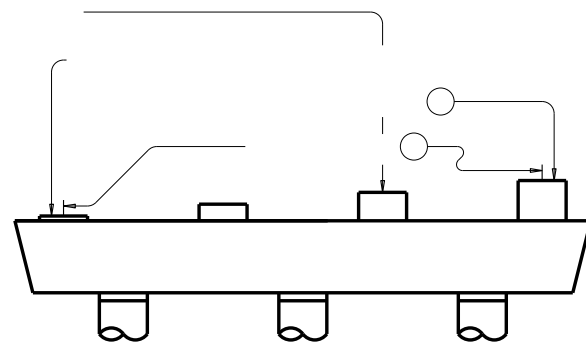
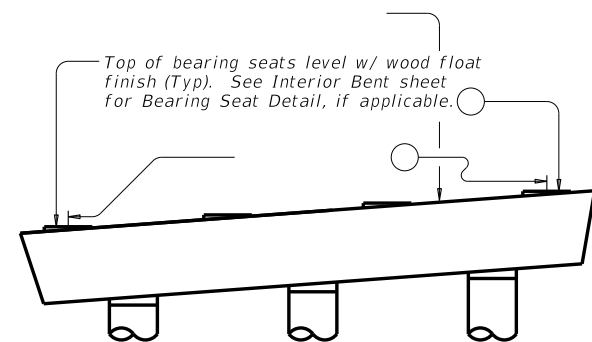
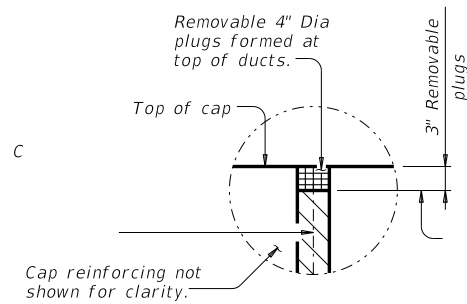
DISCLAIMER:
 The use of this standard is governed by the "Texas Engineering Practice Act". No warranty of any kind is made by TxDOT for any purpose whatsoever. TxDOT assumes no responsibility for the conversion of this standard to other formats or for incorrect results or damages resulting from its use.



TYPICAL SECTION THRU CAP



SECTION A-A



PRECAST CONCRETE BENT CAP OPTION FOR ROUND COLUMNS

PBC-RC

FILE:	DN: TxDOT	CK: JMH	DW: JTR	CK: TxDOT
©TxDOT April 2019	CONT	SECT	JOB	HIGHWAY
REVISIONS	DIST		COUNTY	SHEET NO.

DATE:
 FILE: