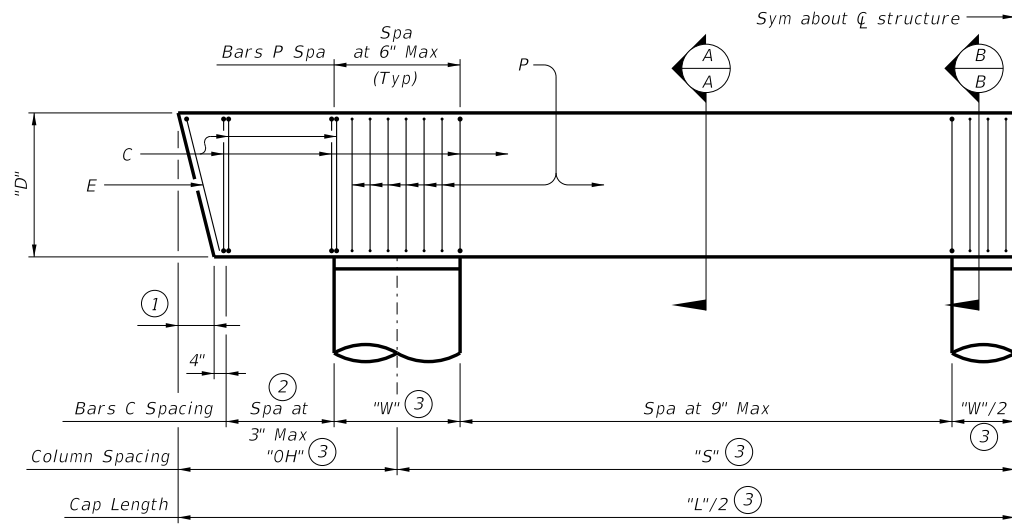
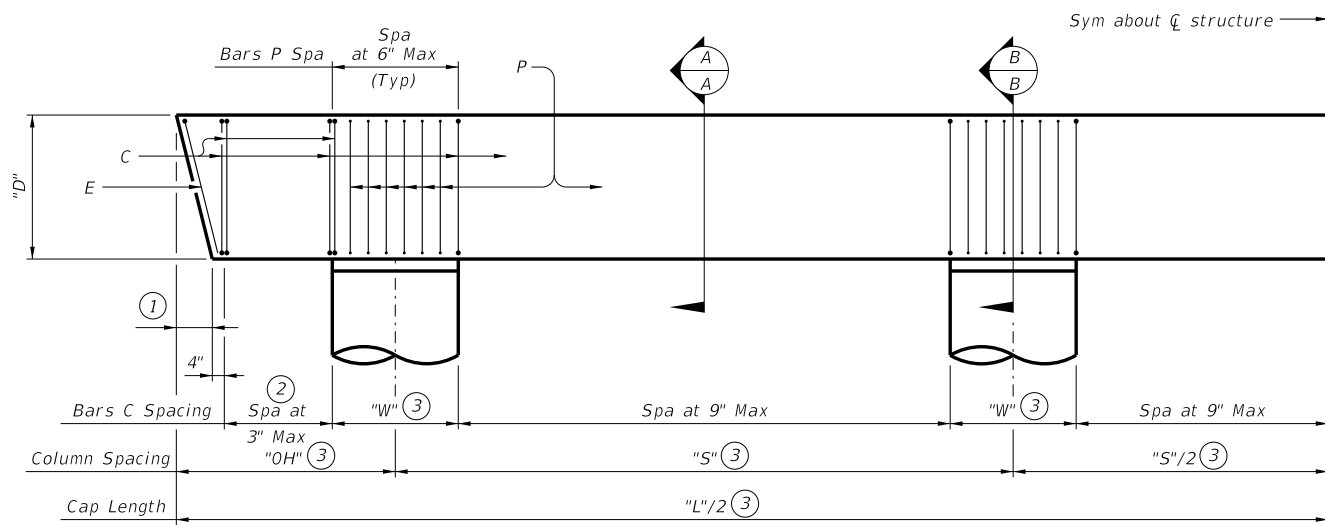


DISCLAIMER: The use of this standard is governed by the "Texas Engineering Practice Act". No warranty of any kind is made by TxDOT for any purpose whatsoever. TxDOT assumes no responsibility for the conversion of this standard to other formats or for incorrect results or damages resulting from its use.

DATE: FILE:



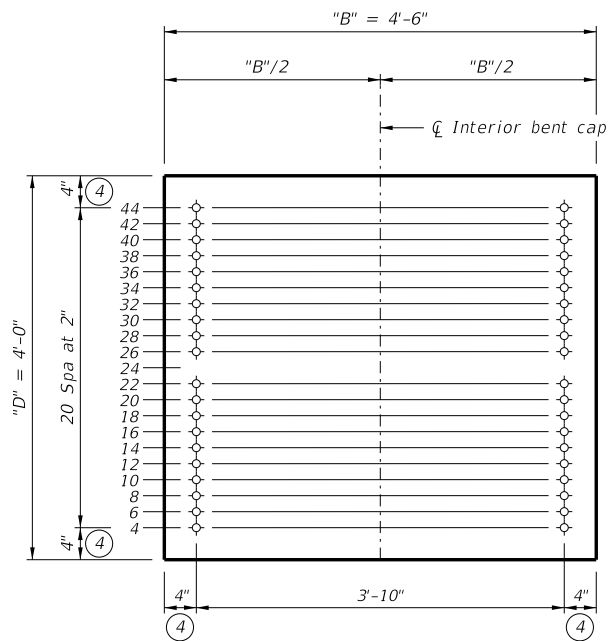
SHOWING 3 COLUMN BENT



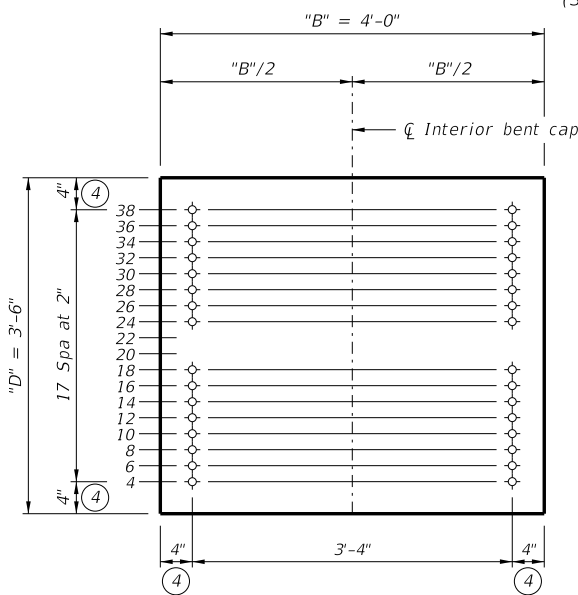
SHOWING 4 COLUMN BENT

**INTERIOR BENT HALF ELEVATION**

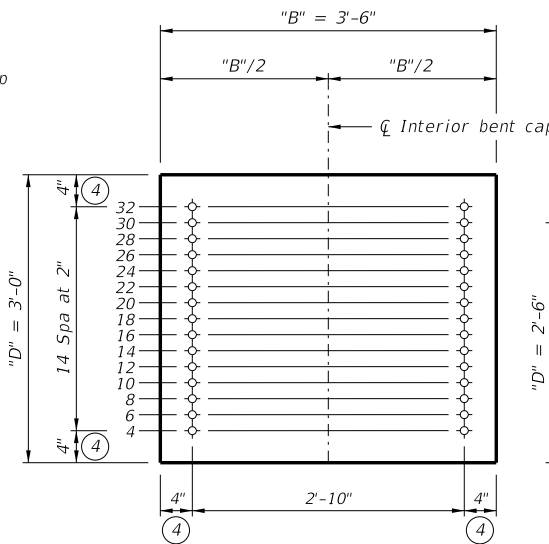
(Strands not shown for clarity.)



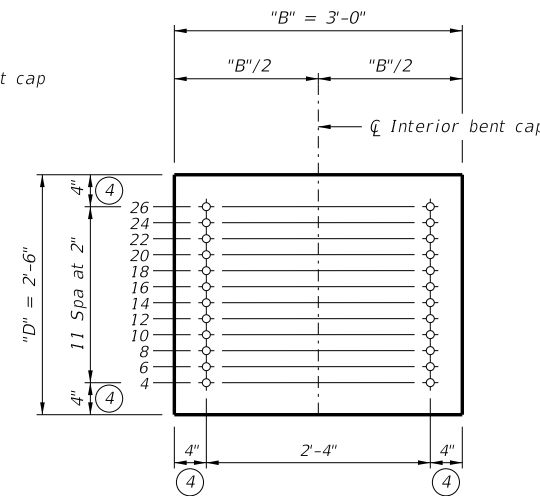
**4'-6" x 4'-0" CAP**  
Used with I-girders (Tx62)



**4'-0" x 3'-6" CAP**  
Used with I-girders (Tx28-Tx54) and X-beams



**3'-6" x 3'-0" CAP**  
Used with decked slab beams and box beams



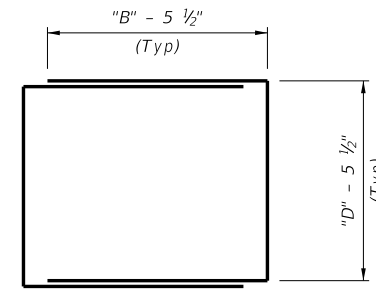
**3'-0" x 2'-6" CAP**  
Used with slab beams

**INTERIOR BENT CAP SECTIONS**

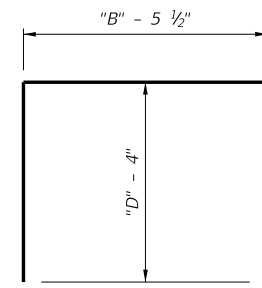
(Showing strands only.)

**TABLE OF CAP DESIGNS**

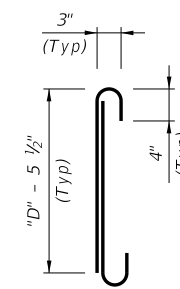
SUPERSTRUCTURE TYPE	CAP DIMENSIONS			CONCRETE		PRESTRESSING STRANDS				REQUIRED MINIMUM ULTIMATE MOMENT CAPACITY (STRENGTH I) (ft-kips)
	CAP WIDTH "B" (ft-in)	CAP DEPTH "D" (ft-in)	CORRUGATED PIPE INSIDE DIAMETER (ft-in)	RELEASE STRENGTH $f'_{ci}$ (ksi)	MINIMUM 28 DAY COMP STRENGTH $f'_c$ (ksi)	LAYERS OF PS STRANDS	TOTAL NO. PS STRANDS	SIZE (in)	STRENGTH (ksi)	
Slab Beams	3'-0"	2'-6"	1'-6"	4.0	5.0	12	24	0.6	270	1,201
Decked Slab Beams	3'-6"	3'-0"	2'-0"	4.0	5.0	15	30	0.6	270	1,886
Box Beams	3'-6"	3'-0"	2'-0"	4.0	5.0	15	30	0.6	270	1,886
X-Beams	4'-0"	3'-6"	2'-6"	5.2	6.5	16	32	0.6	270	2,671
I-Girders (Tx28-Tx54)	4'-0"	3'-6"	2'-6"	4.0	5.0	16	32	0.6	270	2,484
I-Girders (Tx62)	4'-6"	4'-0"	3'-0"	4.0	5.0	20	40	0.6	270	3,634



**BARS C (#5)**  
Showing one complete bar.

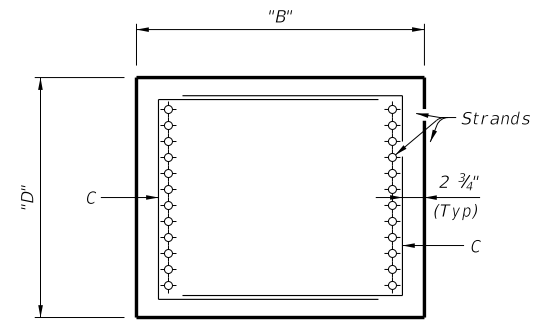


**BARS E (#5)**

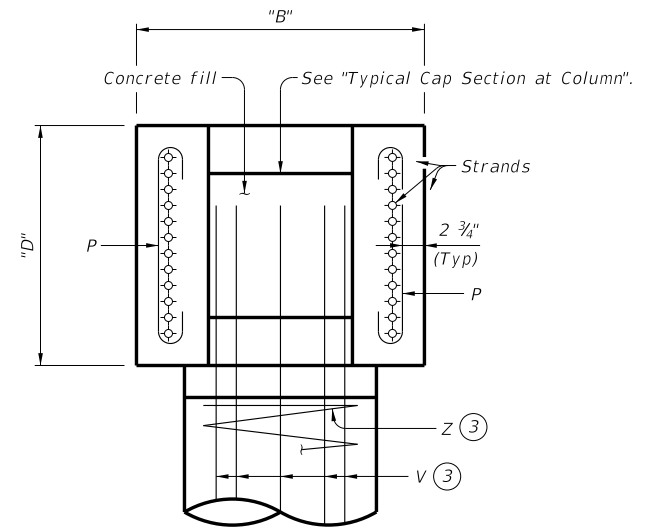


**BARS P (#3)**  
Showing one complete bar.

- ① Variable. See Interior Bents sheet for dimension. When dimension is 0', omit Bars E and reduce end cover to Bars C to 3". Measured parallel to top of cap cross-slope.
- ② Double Bars C. (Typ)
- ③ See Interior Bents sheet for details not shown.
- ④ Dimensioned to center of strand.



**SECTION A-A**



**SECTION B-B**

HL93 LOADING SHEET 1 OF 2



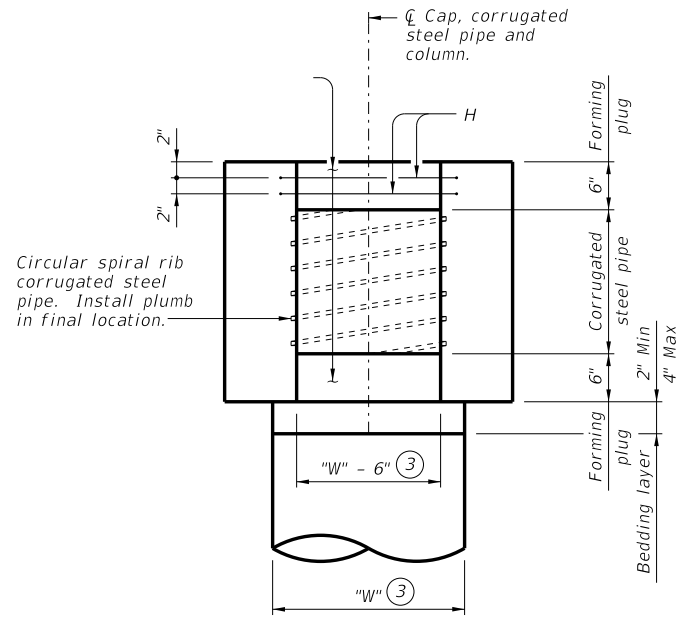
**PRESTRESSED, PRECAST BENT CAP OPTION FOR ROUND COLUMNS**

**PPBC-RC**

FILE: ppbcstd1-21.dgn	DN: CPM	CK: AJF	DW: JTR	CK: CPM
©TxDOT April 2019	CONT	SECT	JOB	HIGHWAY
12-21: General Notes	REVISIONS			
DIST	COUNTY	SHEET NO.		

DISCLAIMER: The use of this standard is governed by the "Texas Engineering Practice Act". No warranty of any kind is made by TxDOT for any purpose whatsoever. TxDOT assumes no responsibility for the conversion of this standard to other formats or for incorrect results or damages resulting from its use.

DATE:  
FILE:

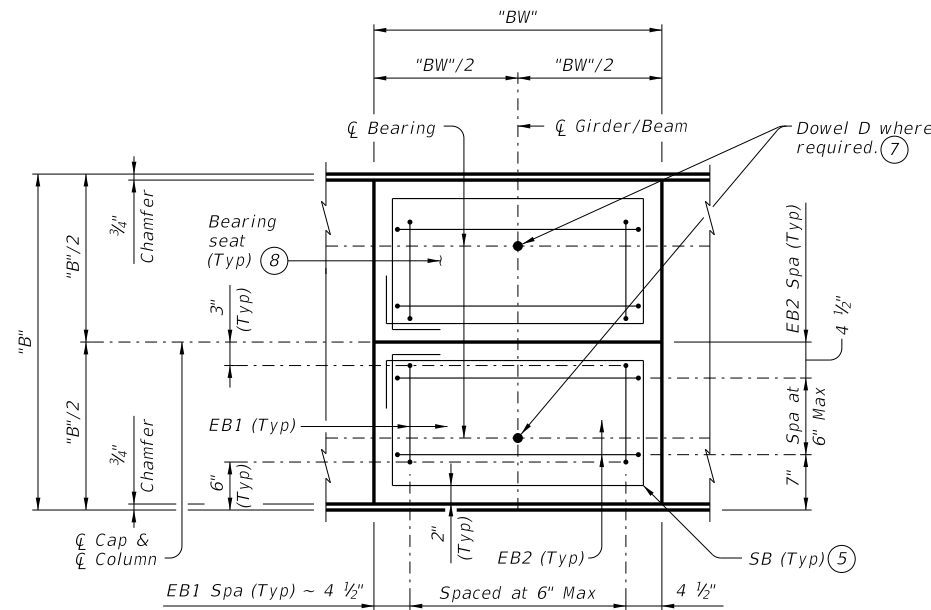


**TYPICAL CAP SECTION AT COLUMN**

Showing example of cap and corrugated steel pipe at column. Cap and column reinforcing not shown for clarity.

SUPERSTRUCTURE TYPE	BEARING DIMENSIONS (ft-in)
X-Beams	6'-0"
I-Girders (Tx28-Tx54)	3'-0"
I-Girders (Tx62)	3'-0"

CONSTRUCTION NOTES:

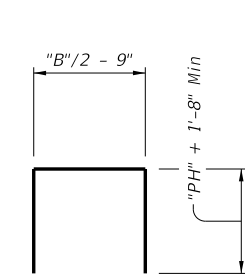


**PLAN**

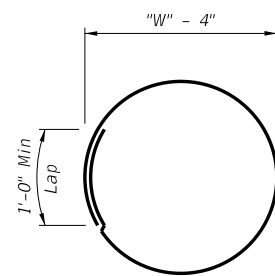
MATERIAL NOTES:

GENERAL NOTES:

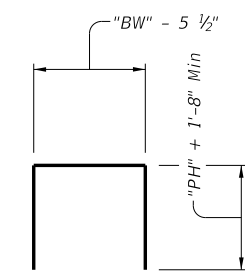
- ③
- ⑤
- ⑥
- ⑦
- ⑧



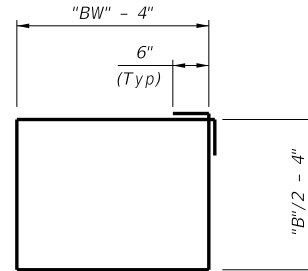
BARS EB1(#5) ⑥



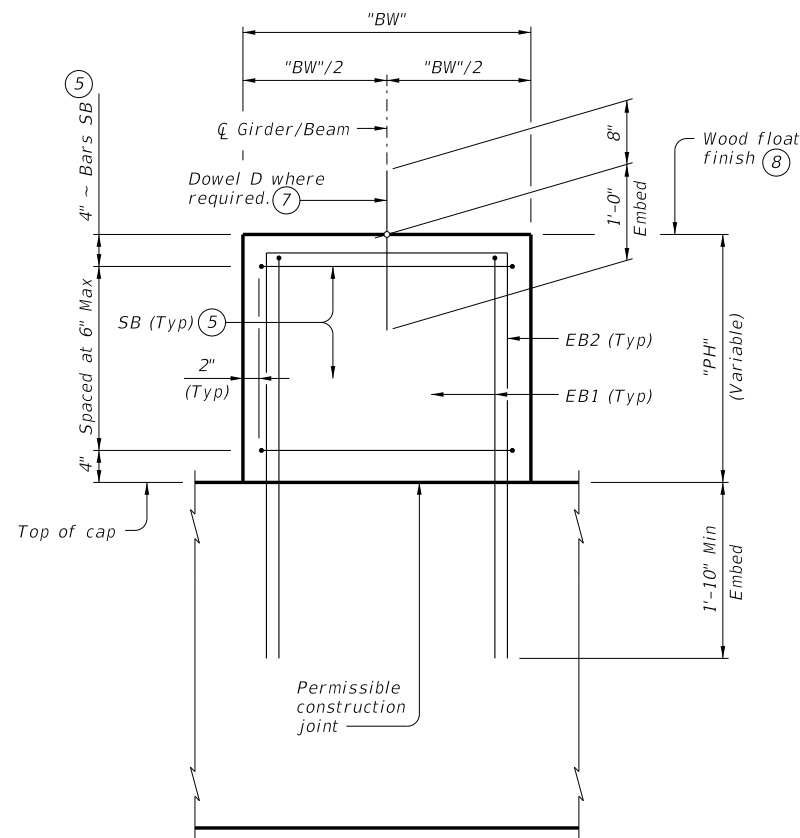
BARS H(#4)



BARS EB2(#5) ⑥



BARS SB(#5) ⑤⑥



**ELEVATION**

**PEDESTAL DETAILS ⑥**

Clean bearing surface and all loose material before placing bearing pad. Reinforce bearing seats/pedestals over 3" in height as shown.

Cover dimensions are  
Reinforcing bar dimensions shown are out-to-out of bar.

HL93 LOADING

SHEET 2 OF 2



**PRESTRESSED, PRECAST BENT CAP OPTION FOR ROUND COLUMNS**

**PPBC-RC**

FILE: ppbcstd1-21.dgn	DN: CPM	CK: AJF	DW: JTR	CK: CPM
©TxDOT April 2019	CONT	SECT	JOB	HIGHWAY
REVISIONS				
	DIST	COUNTY		SHEET NO.