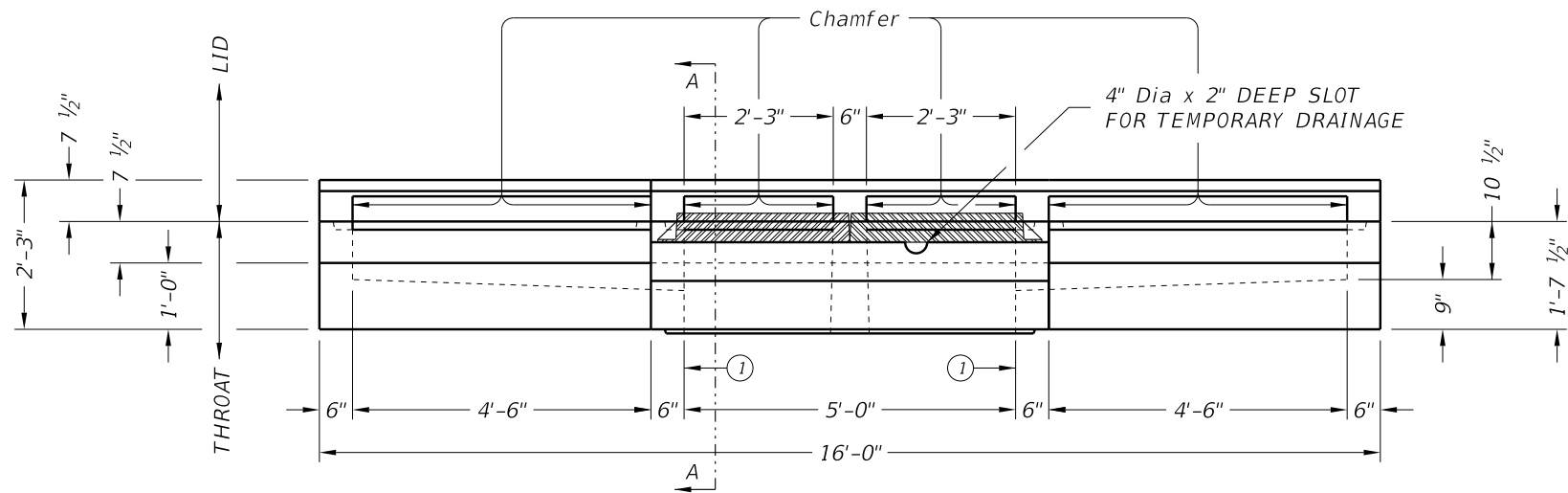
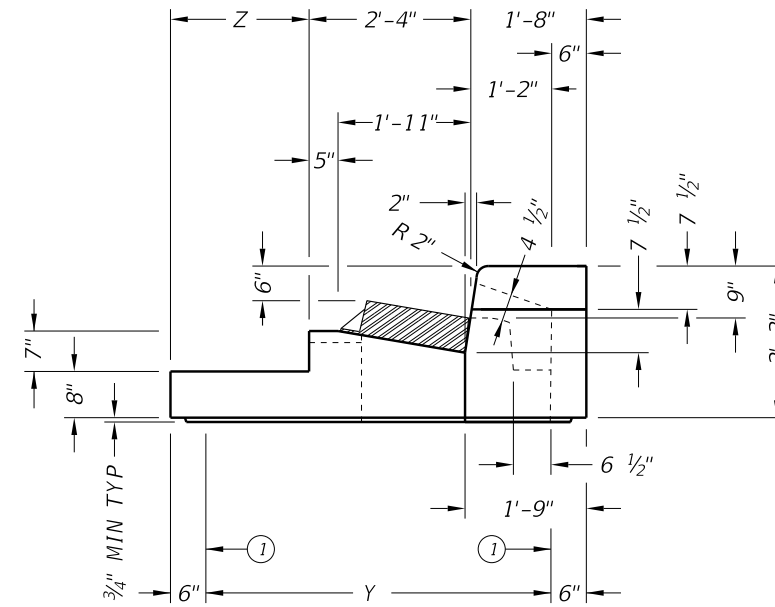


DISCLAIMER: The use of this standard is governed by the "Texas Engineering Practice Act". No warranty of any kind is made by TxDOT for any purpose whatsoever. TxDOT assumes no responsibility for the conversion of this standard to other formats or for incorrect results or damages resulting from its use.

DATE:
FILE:

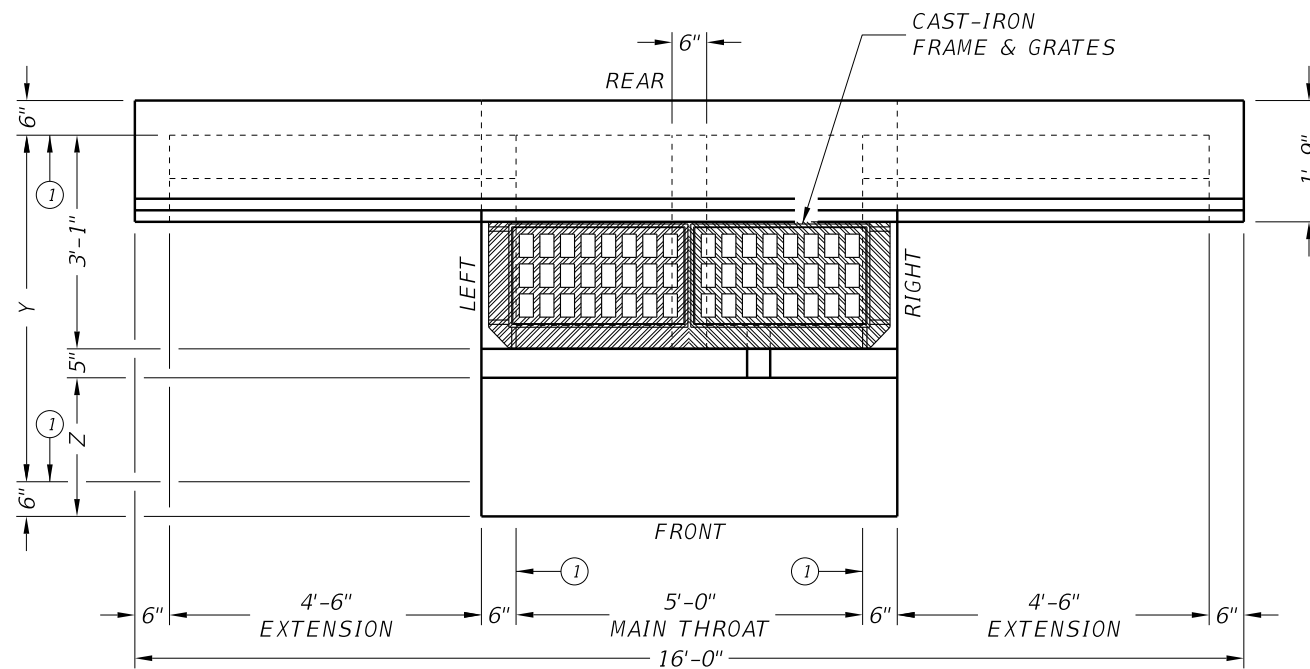


FRONT VIEW
(SHOWING LEFT AND RIGHT EXTENSIONS)



SECTION A-A

① Matches inside face of wall of precast base or riser below inlet.



PLAN VIEW
(SHOWING LEFT AND RIGHT EXTENSIONS)

HS20 LOADING SHEET 1 OF 2



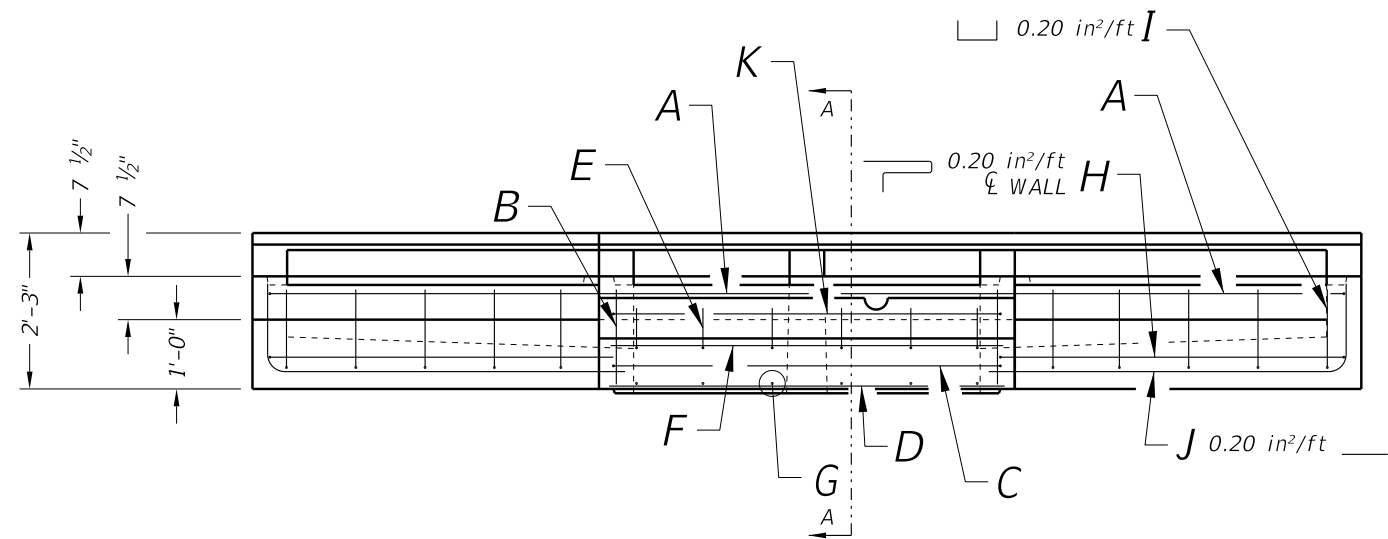
**PRECAST CURB INLET
UNDER ROADWAY**

PCU

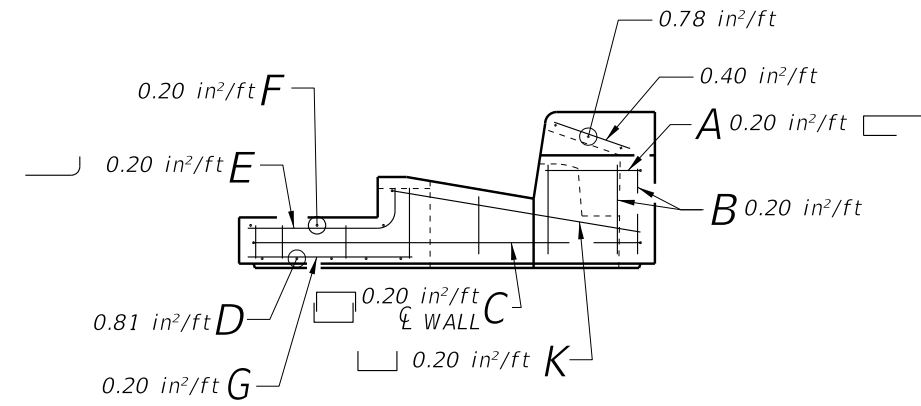
| | | | | |
|----------------------|-----------|-----------|-----------|-----------|
| FILE: prest04-20.dgn | DN: TxDOT | CK: TxDOT | DW: TxDOT | CK: TxDOT |
| ©TxDOT February 2020 | CONT | SECT | JOB | HIGHWAY |
| REVISIONS | | | | |
| | DIST | COUNTY | SHEET NO. | |

DISCLAIMER: The use of this standard is governed by the "Texas Engineering Practice Act". No warranty of any kind is made by TxDOT for any purpose whatsoever. TxDOT assumes no responsibility for the conversion of this standard to other formats or for incorrect results or damages resulting from its use.

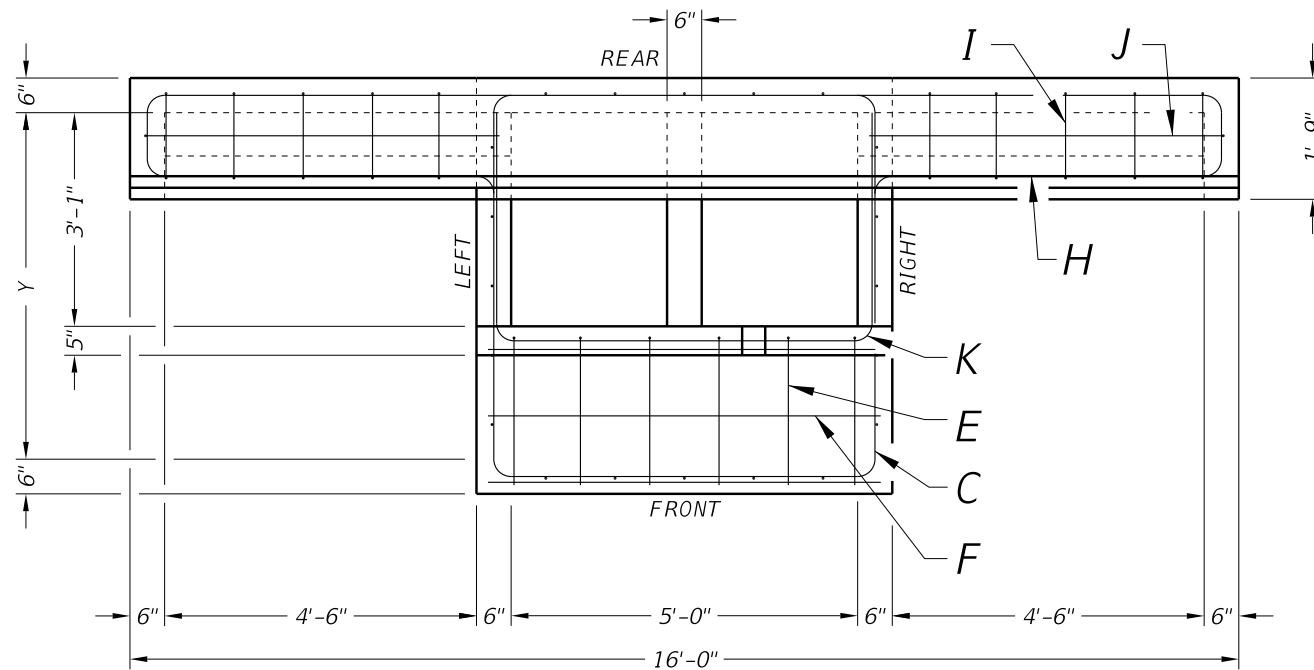
DATE:
FILE:



FRONT VIEW
(SHOWING LEFT AND RIGHT EXTENSIONS)



SECTION A-A



PLAN VIEW
(SHOWING LEFT AND RIGHT EXTENSIONS)

FABRICATION NOTES:

1. Provide Class "H" concrete in accordance with Item 421 and having a minimum compressive strength of 5,000 psi.
2. Provide Grade 60 reinforcing steel or equivalent area of WWR.
3. Provide typical clear cover of 1 1/2" to reinforcing steel from surface of concrete or lower outside shoulder.
4. Extensions may be right, left, both or none. Provide extensions as specified elsewhere in plans.
5. Design tongue and groove joints for full closure on both shoulders. Minimum spigot depth is 3/4". Top slab may employ a butt joint with dowels at the Contractor's option.
6. Provide lifting devices in conformance with Manufacturer's recommendations.
7. Chamfer vertical edges on inlet lid 3/4" as shown in Front View, sheet 1.

INSTALLATION NOTES:

1. Inlet throat is placed under roadway and intended for direct traffic. Inlet lid is not for direct traffic. Do not place Inlet lid in roadway.
2. Seal tongue and groove joints and butt joints with preformed or bulk mastic in conformance with Manufacturer's recommendations. Tongue and groove joints may be grouted no more than 1" between each section, or 1/2 the joint depth, whichever is greater.
3. Do not grout rubber gasket joints without Manufacturer's recommendation.

GENERAL NOTES:

1. Designed according to ASTM C913.
2. Open area of main throat = 324 sq in. Open area of one extension throat = 324 sq in.
3. Payment for inlet is per Item 465, "Junction Boxes, Manholes and Inlets" by type, size and extension placement. Extensions are subsidiary to inlet.

| SIZE (Y) | Z |
|----------|----|
| 3' | 0' |
| 4' | 1' |
| 5' | 2' |
| 6' | 3' |

HS20 LOADING SHEET 2 OF 2



**PRECAST CURB INLET
UNDER ROADWAY**

PCU

| | | | | |
|----------------------|-----------|-----------|-----------|-----------|
| FILE: prest04-20.dgn | DN: TxDOT | CK: TxDOT | DW: TxDOT | CK: TxDOT |
| ©TxDOT February 2020 | CONT | SECT | JOB | HIGHWAY |
| REVISIONS | | | | |
| | DIST | COUNTY | | SHEET NO. |