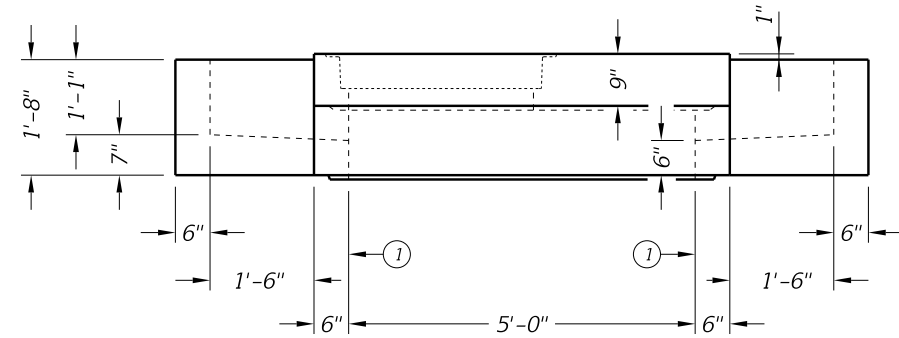
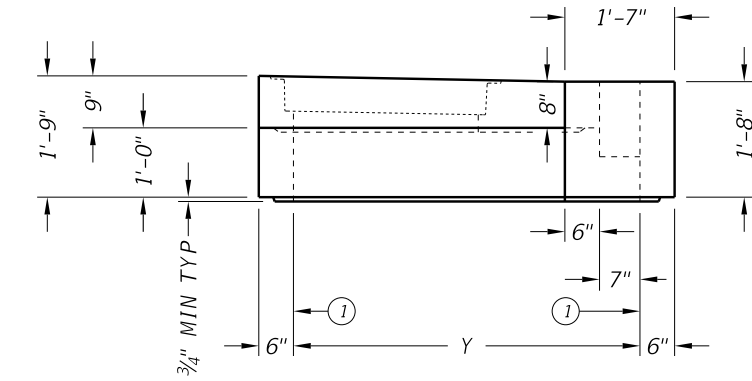


DISCLAIMER: The use of this standard is governed by the "Texas Engineering Practice Act". No warranty of any kind is made by TxDOT for any purpose whatsoever. TxDOT assumes no responsibility for the conversion of this standard to other formats or for incorrect results or damages resulting from its use.

DATE:
FILE:

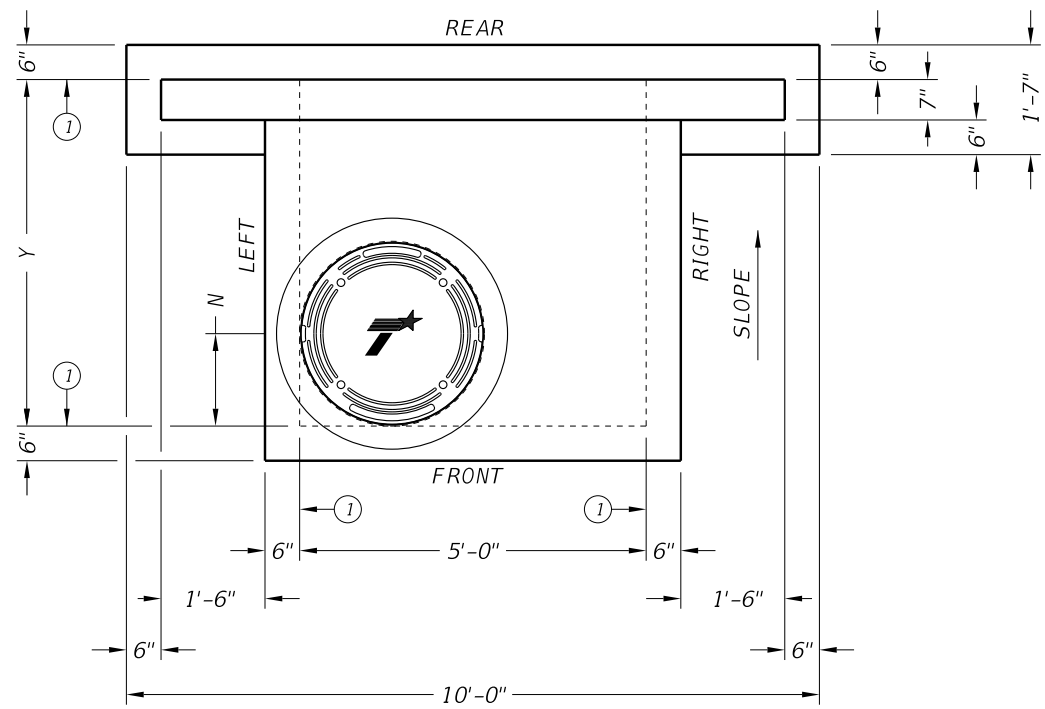


FRONT VIEW

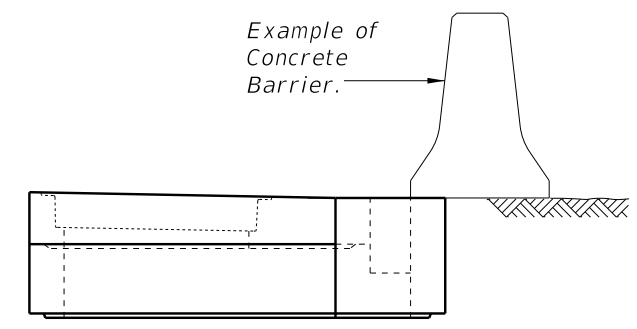


RIGHT VIEW

① Matches inside face of wall of precast base or riser below inlet.



PLAN VIEW



BARRIER PLACEMENT DETAIL
(SHOWING EXAMPLE OF BARRIER AND BARRIER DRAIN)

HL93 LOADING SHEET 1 OF 2

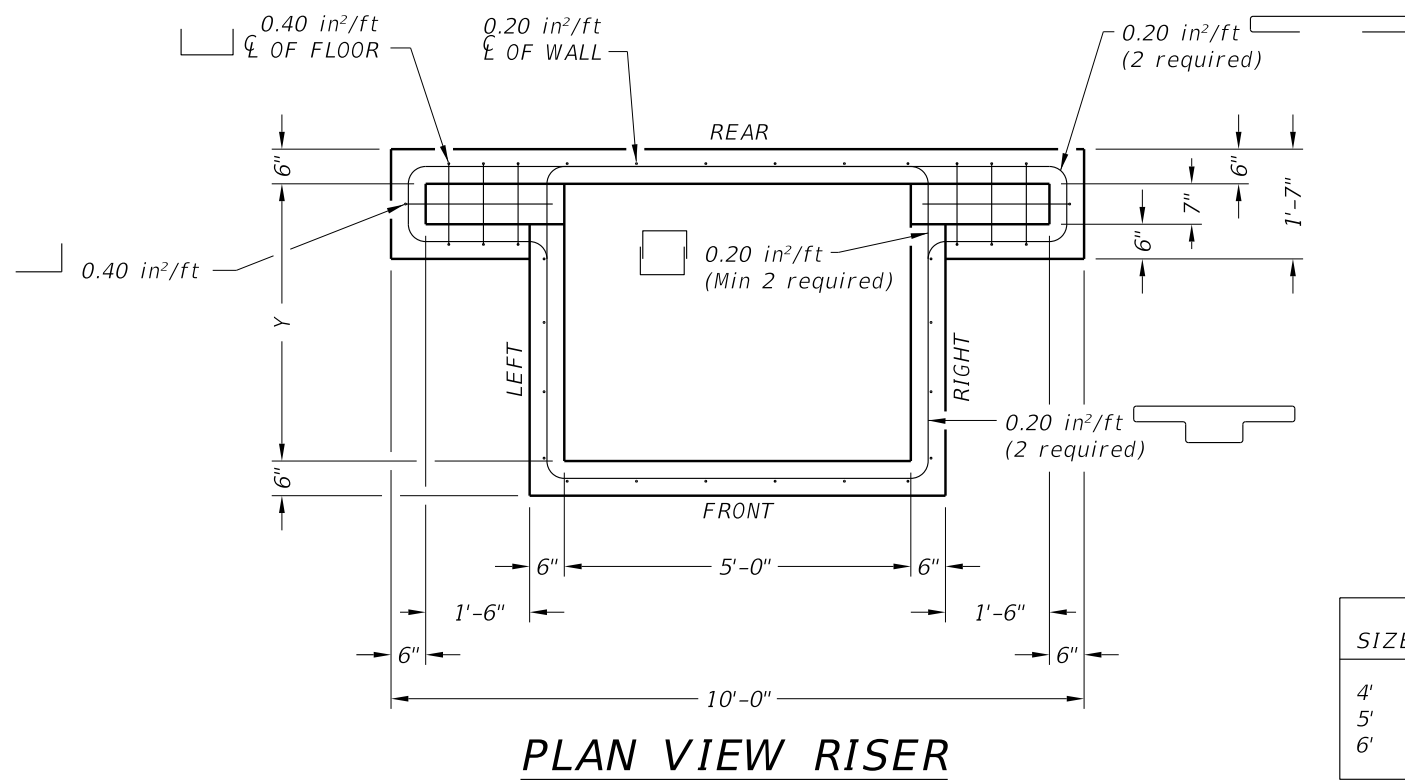
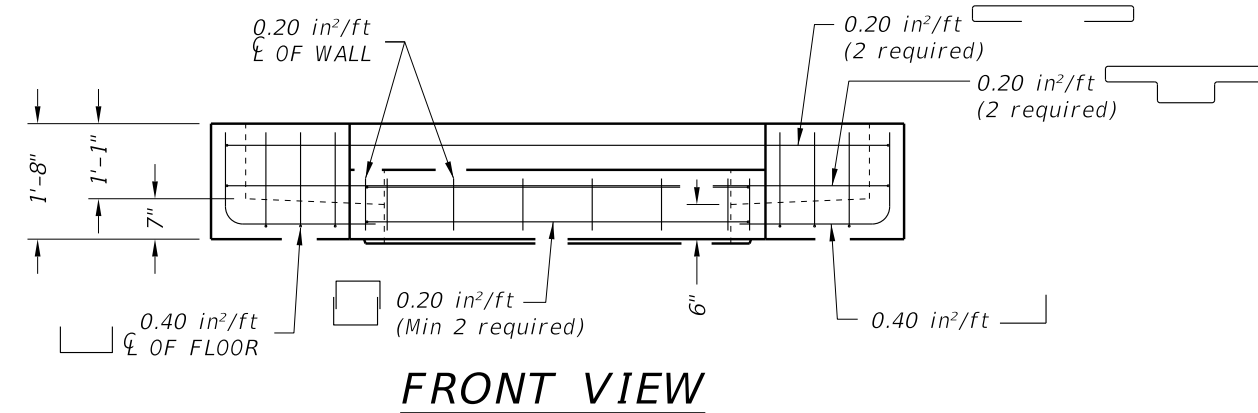
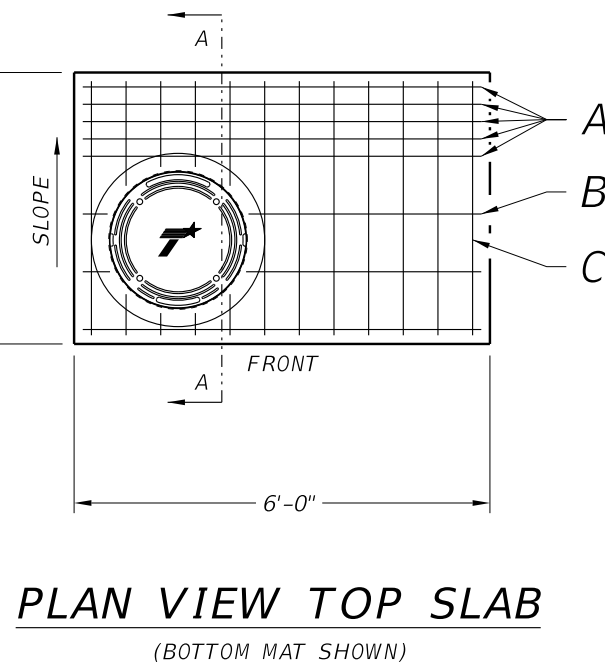
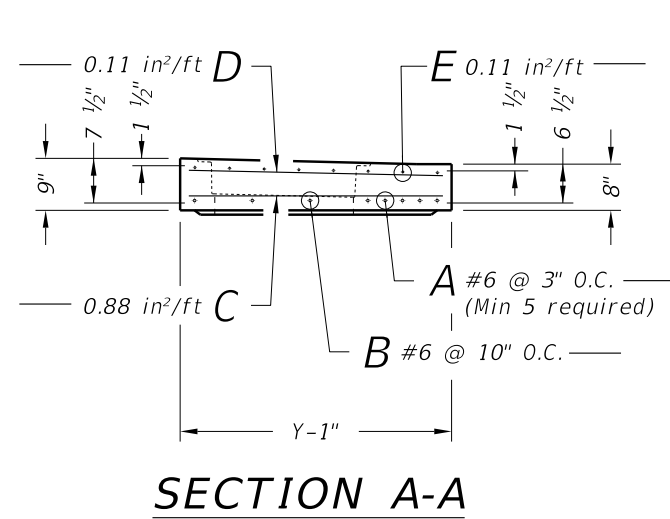


PRECAST MEDIAN BARRIER DRAIN

PMBD

FILE: prestd07-20.dgn	DN: TxDOT	CK: TxDOT	DW: TxDOT	CK: TxDOT
©TxDOT February 2020	CONT	SECT	JOB	HIGHWAY
REVISIONS				
DIST	COUNTY			SHEET NO.

DISCLAIMER: The use of this standard is governed by the "Texas Engineering Practice Act". No warranty of any kind is made by TxDOT for any purpose whatsoever. TxDOT assumes no responsibility for the conversion of this standard to other formats or for incorrect results or damages resulting from its use.



SIZE (Y)	MH DIA*	N
4'	24"	12"
5'	32"	16"
6'	32"	16"

*Nominal ring and cover size.

- FABRICATION NOTES:**
1. Provide Class "H" concrete in accordance with Item 421 and having a minimum compressive strength of 5,000 psi.
 2. Provide Grade 60 reinforcing steel or equivalent area of WWR.
 3. Design tongue and groove joints for full closure on both shoulders. Minimum spigot depth is 3/4".
 4. Provide lifting devices in conformance with Manufacturer's recommendations.
 5. Provide cast iron solid cover, unless noted otherwise elsewhere in plans.

- INSTALLATION NOTES:**
1. Seal tongue and groove joints with preformed or bulk mastic in conformance with Manufacturer's recommendations. Tongue and groove joints may be grouted no more than 1" between each section, or 1/2 the joint depth, whichever is greater.
 2. Do not grout rubber gasket joints without Manufacturer's recommendation.
 3. When pinned precast median barrier is used, longitudinally adjust pin locations to avoid drilling into the PMBD inlet. When CIP median barrier is anchored to CRCP, transversely adjust anchorage bar to avoid conflicting with the PMBD inlet.

- GENERAL NOTES:**
1. Designed according to ASTM C913.
 2. Open area of throat = 756 sq in.
 3. Payment for inlet is per Item 465, "Junction Boxes, Manholes, and Inlets" by type and size.

Cover dimensions are clear dimensions, unless noted otherwise.



PRECAST MEDIAN BARRIER DRAIN

PMBD

FILE: prest07-20.dgn	DN: TxDOT	CK: TxDOT	DW: TxDOT	CK: TxDOT
©TxDOT February 2020	CONT	SECT	JOB	HIGHWAY
REVISIONS				
DIST	COUNTY			SHEET NO.

DATE:
FILE: