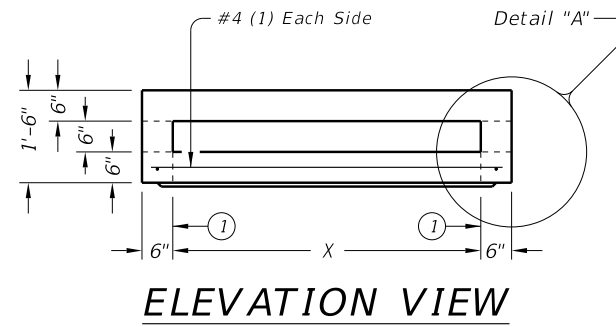
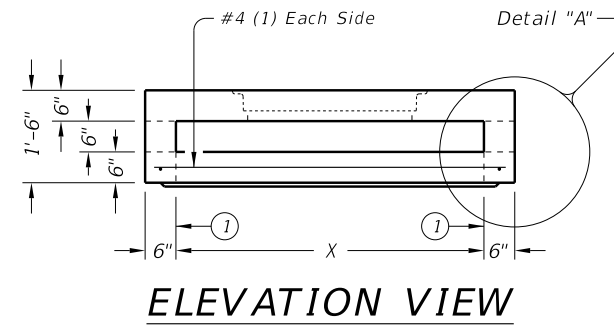


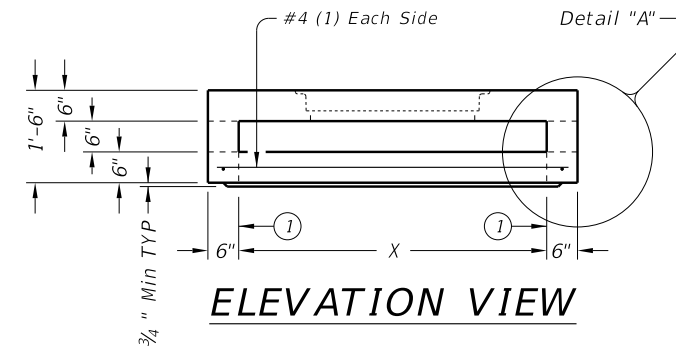
DISCLAIMER: This standard is governed by the "Texas Engineering Practice Act". No warranty of any kind is made by TxDOT for any purpose whatsoever. TxDOT assumes no responsibility for the conversion of this standard to other formats or for incorrect results or damages resulting from its use.



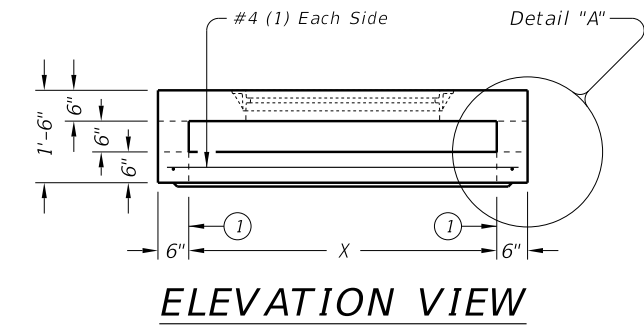
ELEVATION VIEW



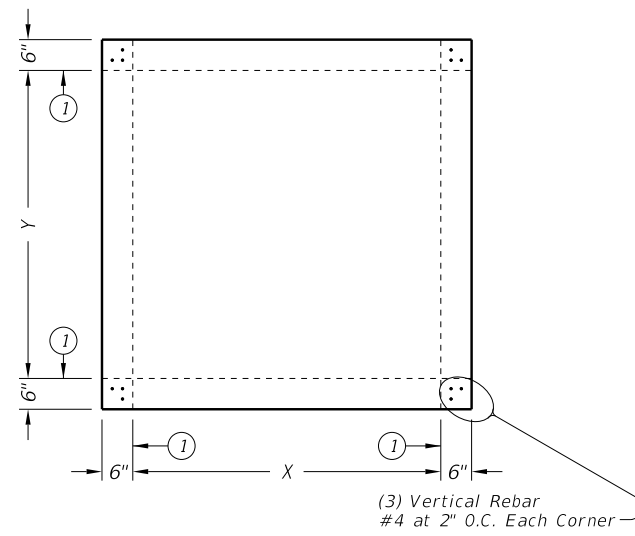
ELEVATION VIEW



ELEVATION VIEW

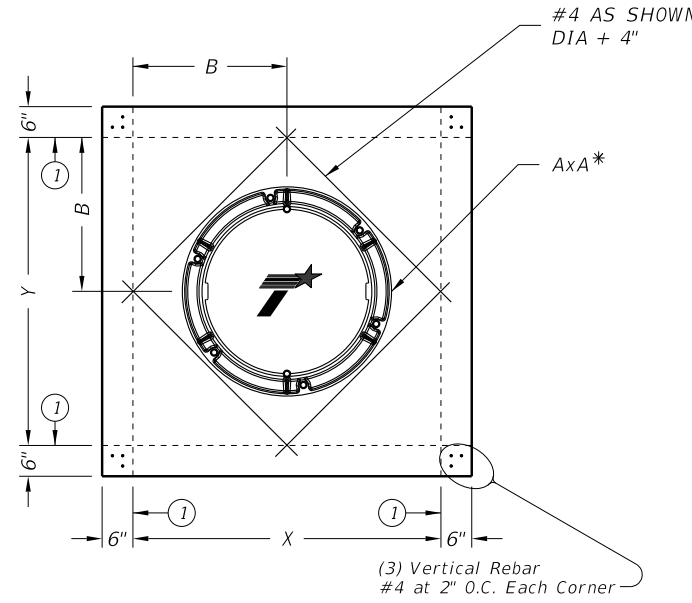


ELEVATION VIEW



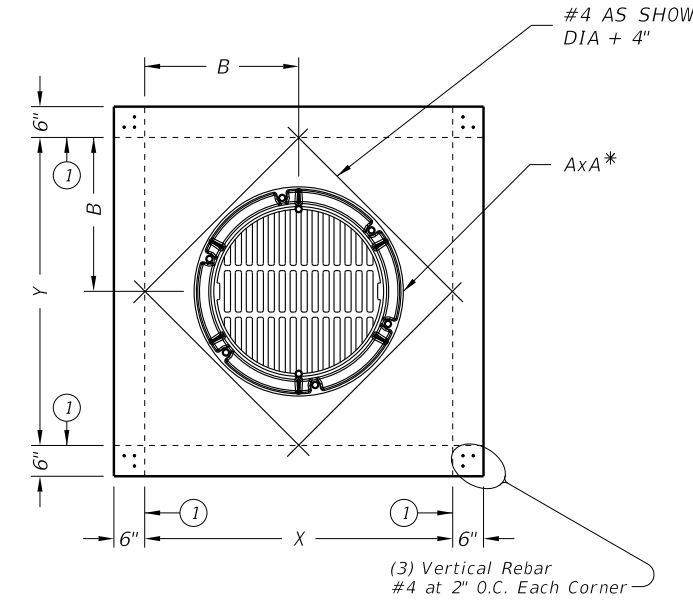
PLAN VIEW
NO OPENINGS

STYLE 'SL'



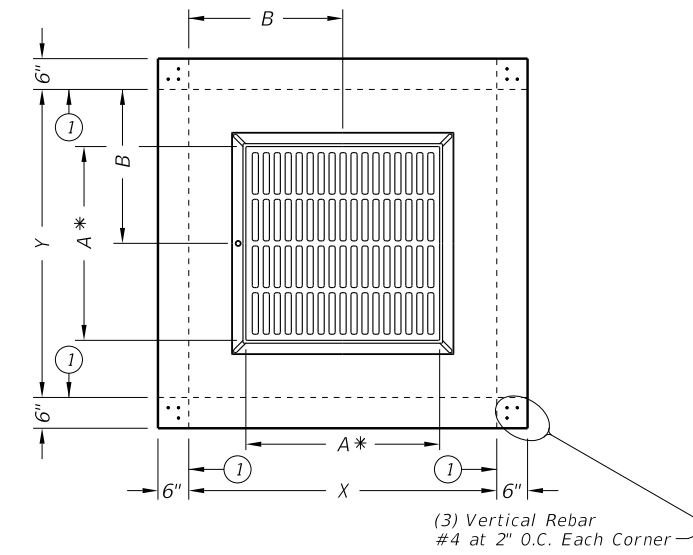
PLAN VIEW
32" DIA CAST-IN RING & COVER

STYLE 'RC'



PLAN VIEW
32" DIA CAST-IN RING & GRATE

STYLE 'RG'



PLAN VIEW
CAST-IN FRAME & GRATE

STYLE 'FG'

① Matches inside face of wall of precast base or riser below inlet.

FABRICATION NOTES:

1. Provide Class "H" concrete in accordance with Item 421 and having a minimum compressive strength of 5,000 psi.
2. Provide Grade 60 reinforcing steel or equivalent area of WWR.
3. Provide clear cover of 3/4" to reinforcing from bottom of slab for structural reinforcement. Place short span reinforcing closest to surface.
4. No substitution is allowed for diagonal #4 bars around openings.
5. Design tongue and groove joints for full closure on both shoulders. Minimum spigot depth is 3/4".
6. Provide lifting devices in conformance with Manufacturer's recommendations.

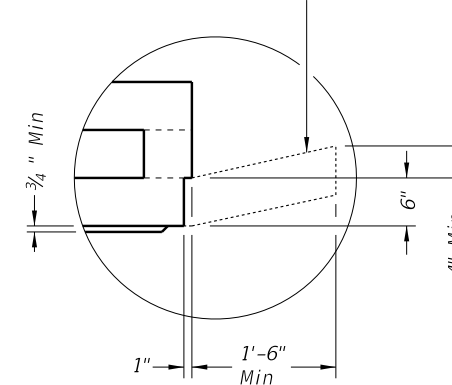
INSTALLATION NOTES:

1. PAZD is for use in ditches and medians outside of the horizontal clearance (clear zone). Precast Area Zone Drain is not intended for direct traffic and may not be placed in roadway.
2. Seal tongue and groove joints with preformed or bulk mastic in conformance with Manufacturer's recommendations. Tongue and groove joints may be grouted no more than 1" between each section, or 1/2 the joint depth, whichever is greater.
3. Do not grout rubber gasket joints without Manufacturer's recommendation.

GENERAL NOTES:

1. Designed according to ASTM C913.
2. Payment for inlet is per Item 465, "Junction Boxes, Manholes, and Inlets" by type, style, size, and opening size (when applicable).

Construct cast-in-place reinforced concrete apron when shown elsewhere in plans. Use Class "A" concrete. Apron is subsidiary to PAZD. Apron is 1'-6" Min width around precast zone drain.



DETAIL "A"

(Reinforcing not shown for clarity)
When an apron is to be cast around PAZD, use detail above to create an apron ledge on all 4 sides.

Style	Size (X x Y)	A x A *	B x B	Short Span Reinf Steel Area	Long Span Reinf Steel Area
SL	3'x3'	n/a	n/a	0.37 in ² /ft	0.37 in ² /ft
RC, RG	3'x3'	32" Dia	1.5'x1.5'	0.37 in ² /ft	0.37 in ² /ft
FG	3'x3'	3'x3'	1.5'x1.5'	0.37 in ² /ft	0.37 in ² /ft
SL	4'x4'	n/a	n/a	0.34 in ² /ft	0.34 in ² /ft
RC, RG	4'x4'	32" Dia	2'x2'	0.34 in ² /ft	0.34 in ² /ft
FG	4'x4'	3'x3'	2'x2'	0.34 in ² /ft	0.34 in ² /ft
FG	4'x4'	4'x4'	2'x2'	0.34 in ² /ft	0.34 in ² /ft
SL	5'x5'	n/a	n/a	0.43 in ² /ft	0.43 in ² /ft
RC, RG	5'x5'	32" Dia	2.5'x2.5'	0.68 in ² /ft	0.68 in ² /ft
FG	5'x5'	3'x3'	2.5'x2.5'	0.43 in ² /ft	0.43 in ² /ft
FG	5'x5'	4'x4'	2.5'x2.5'	0.43 in ² /ft	0.43 in ² /ft

* Nominal frame/grate or ring/cover size.

Bridge Division Standard

PRECAST AREA ZONE DRAIN

PAZD

FILE: prest08-20.dgn	DN: TxDOT	CK: TxDOT	DW: TxDOT	CK: TxDOT
©TxDOT February 2020	CONT	SECT	JOB	HIGHWAY
REVISIONS				
DIST	COUNTY			SHEET NO.

DATE:
FILE: