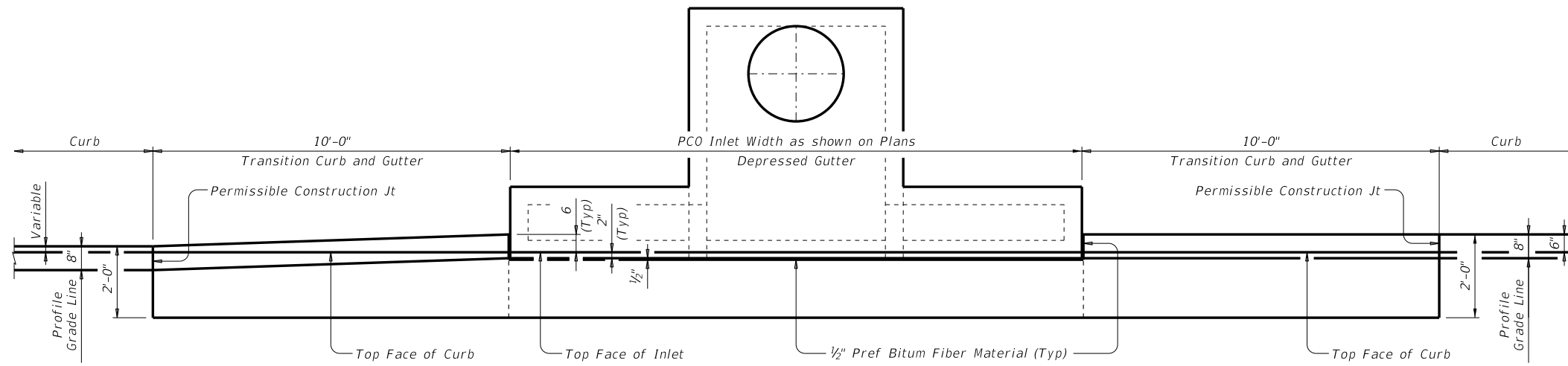


DISCLAIMER: The use of this standard is governed by the "Texas Engineering Practice Act". No warranty of any kind is made by TxDOT for any purpose whatsoever. TxDOT assumes no responsibility for the conversion of this standard to other formats or for incorrect results or damages resulting from its use.

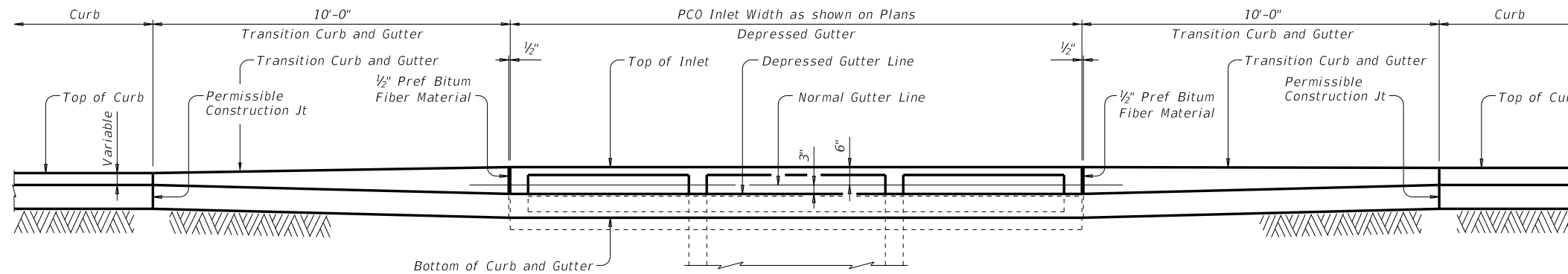
DATE:
FILE:



SHOWING TYPE I, IIa & III Curb and Gutter

SHOWING TYPE II & IV Curb and Gutter

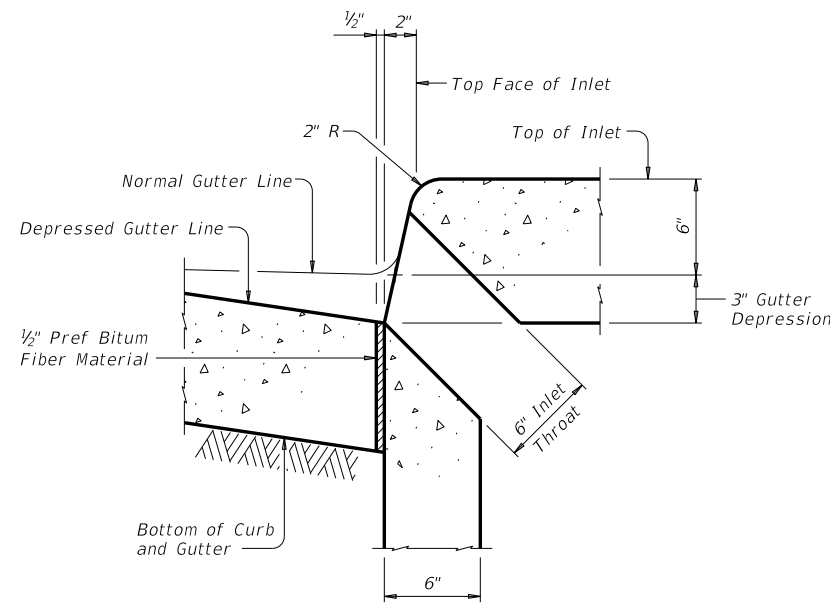
PLAN



SHOWING TYPE I, IIa & III Curb and Gutter

SHOWING TYPE II & IV Curb and Gutter

ELEVATION



SECTION AT GUTTER AND INLET

Reinforcing steel not shown for clarity.

CONSTRUCTION NOTES:
Align top face of curb with PCO Inlet as shown.

MATERIAL NOTES:
Provide 1/2" Preformed Bituminous Fiber Material.

GENERAL NOTES:
See Precast Curb Inlet Outside Roadway (PCO) standard for details and notes not shown.
See Concrete Curb and Curb and Gutter (CCCG-12) standard for details and notes not shown.
Curb and Gutter Transitions is paid for and in accordance with Item 529, "Concrete Curb, Gutter, and Combined Curb and Gutter."
Preformed Bituminous Fiber Material is subsidiary to PCO Inlet.

		Bridge Division Standard	
CURB AND GUTTER TRANSITION DETAILS FOR PCO INLET			
CGT-PCO			
FILE: prest13-20.dgn	DN: TxDOT	CK: AES	DW: JTR
©TxDOT February 2020	CONT	SECT	JOB
REVISIONS		HIGHWAY	
		SHEET NO.	
DIST		COUNTY	