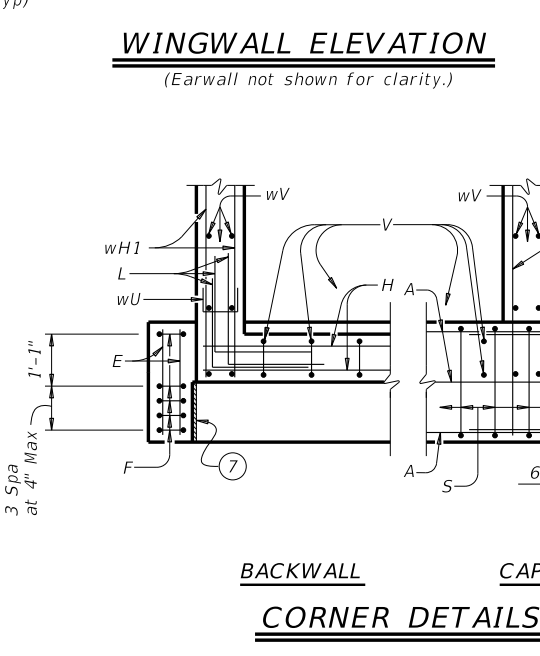
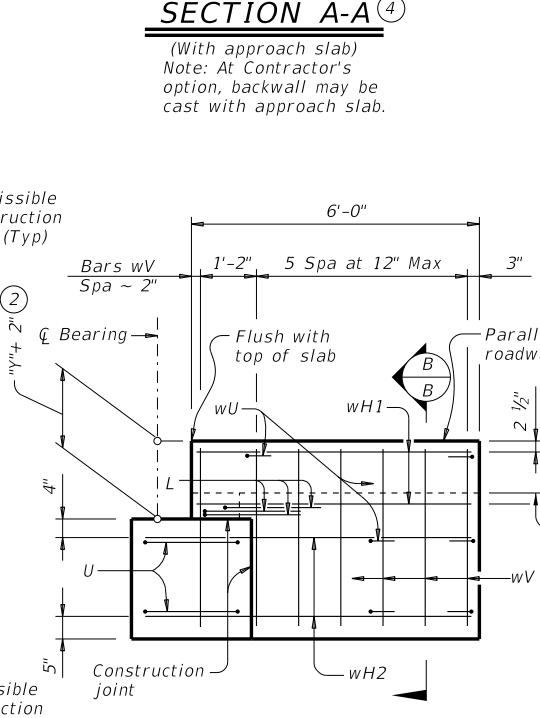
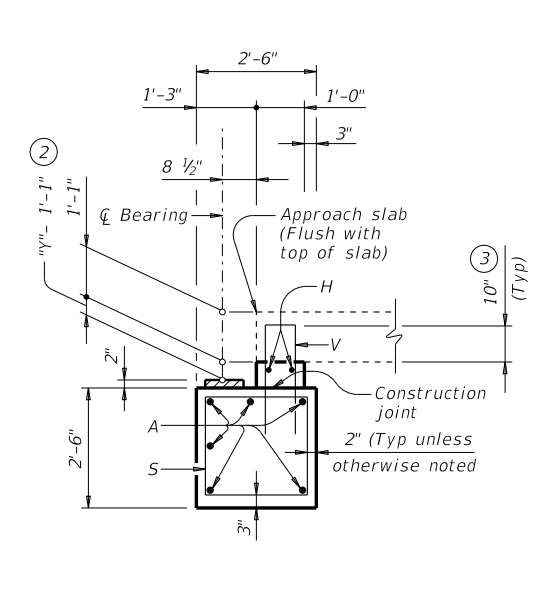
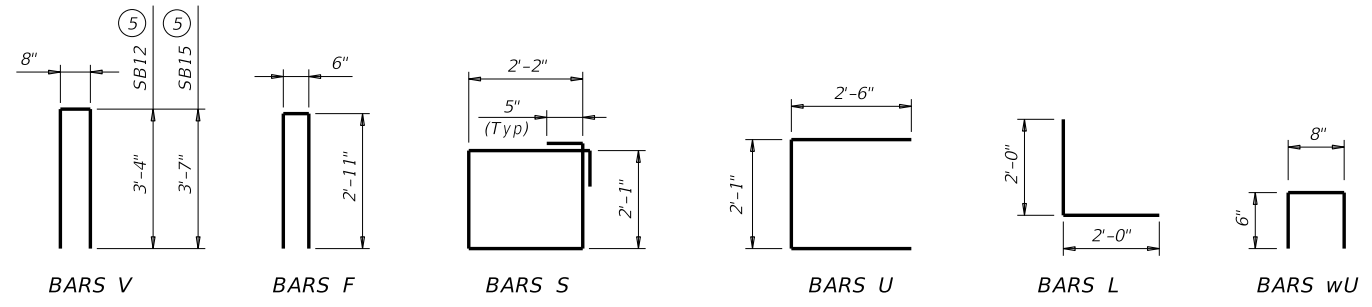
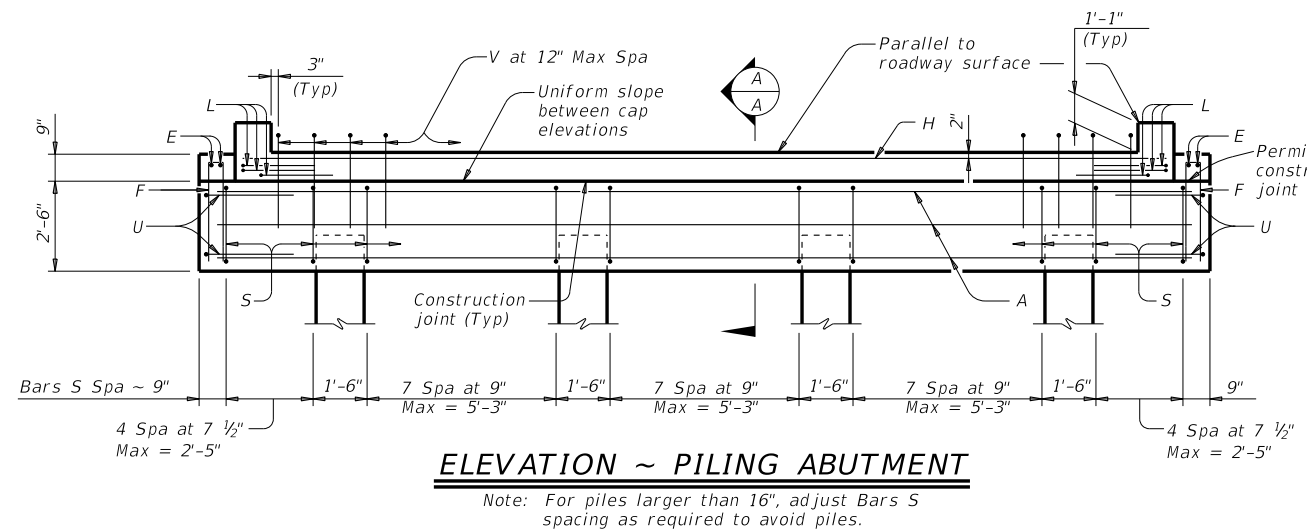
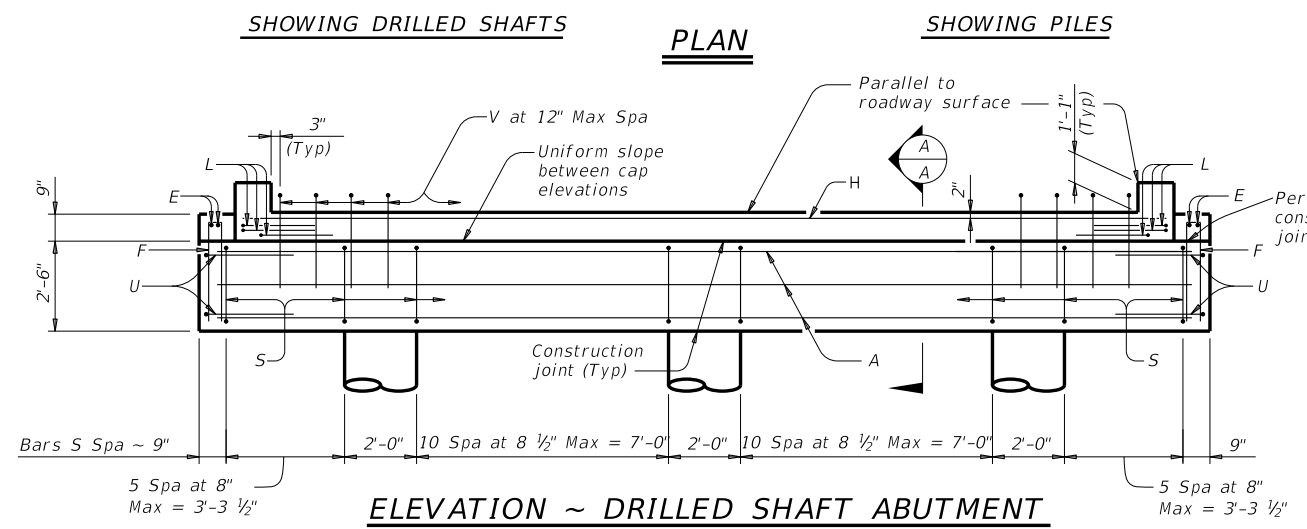
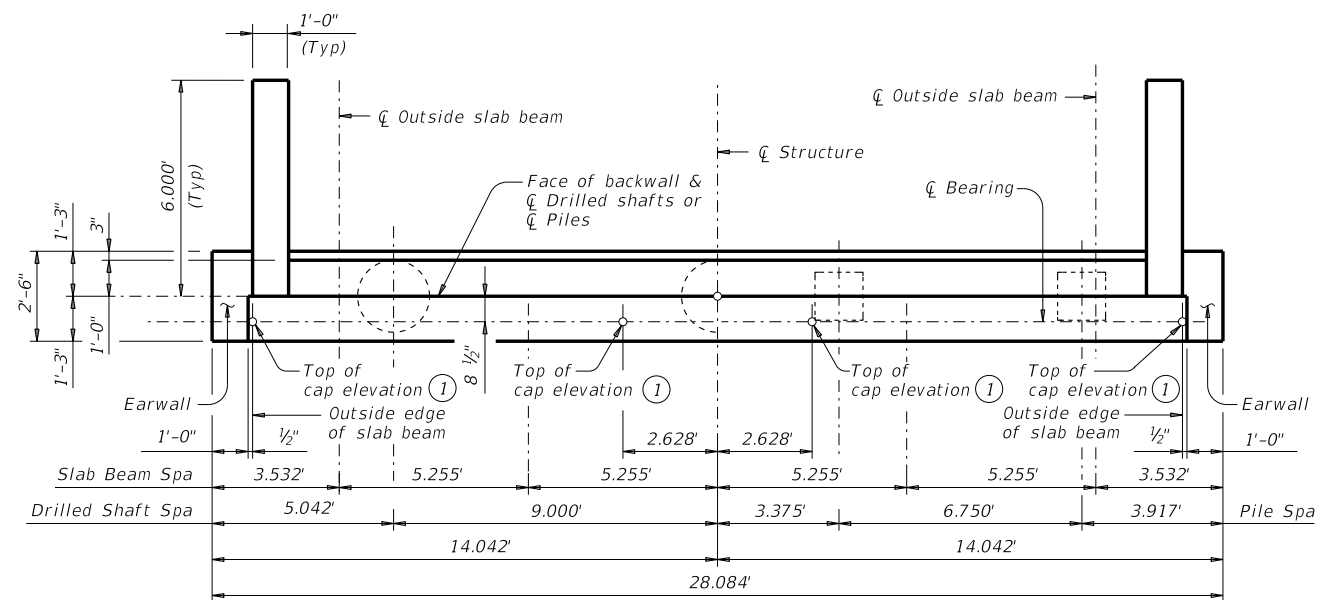


DISCLAIMER: The use of this standard is governed by the "Texas Engineering Practice Act". No warranty of any kind is made by TxDOT for any purpose whatsoever. TxDOT assumes no responsibility for the conversion of this standard to other formats or for incorrect results or damages resulting from its use.

DATE: FILE:



FOUNDATION LOADS

Span Length	Drilled Shaft Loads		Vertical Pile Loads	
	5SB12	5SB15	5SB12	5SB15
Ft	Tons/DS	Tons/DS	Tons/Pile	Tons/Pile
25	39	41	29	31
30	43	46	33	34
35	48	51	36	38
40	52	55	39	41
45		59		44
50		63		47

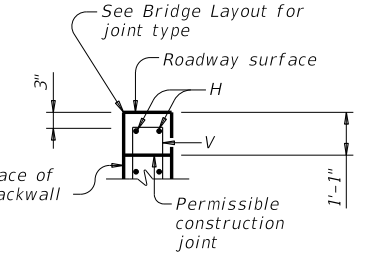


TABLE OF ESTIMATED QUANTITIES

Bar	No.	Size	Length (5)		Weight (5)		
			5SB12	5SB15	5SB12	5SB15	
A	6	#11	27'-1"	27'-1"	863	863	
E	4	#4	2'-2"	2'-2"	6	6	
F	10	#4	6'-4"	6'-4"	43	43	
H	2	#5	25'-8"	25'-8"	54	54	
L	6	#6	4'-0"	4'-0"	36	36	
S	34	#4	9'-4"	9'-4"	212	212	
U	4	#6	7'-1"	7'-1"	43	43	
V	25	#5	7'-4"	7'-10"	191	204	
wH1	8	#6	5'-8"	5'-8"	68	68	
wH2	8	#6	6'-11"	6'-11"	83	83	
wU	12	#4	1'-8"	1'-8"	14	14	
wV	28	#5	3'-10"	4'-1"	112	119	
Reinforcing Steel					Lb	1,725	1,745
CI "C" Conc (Abut)					CY	8.8	9.2

- Top of cap elevations are based on section depths shown on Span Details.
- See Span Details for "Y".
- Increase as required to maintain 3" from finished grade.
- See Bridge Layout to determine if approach slab is present.
- See Bridge Layout for beam type used in the superstructure.
- Quantities shown are for one abutment only (with approach slab). Without approach slab, add 1.0 CY Class "C" concrete and 54 Lb reinforcing steel for 2 additional Bars H.
- 1/2" preformed bituminous fiber material between slab beam and earwall. Bond to earwall with an approved adhesive. Cast inside face of earwall perpendicular to cap. (Typ)

GENERAL NOTES:
 Designed according to AASHTO LRFD Bridge Design Specifications.
 Designed for a normal embankment header slope of 3:1 and a maximum span length of 50 feet.
 See Bridge Layout for header slope and foundation type, size, and length.
 See Common Foundation Details (FD) standard sheet for all foundation details and notes.
 See Concrete Riprap (CRR) standard sheet or Stone Riprap (SRR) standard sheet for riprap attachment details, if applicable.
 See applicable rail details for rail anchorage in wingwalls.
 These abutment details may be used with standard SPSB-24 only.

Cover dimensions are clear dimensions, unless noted otherwise.
 Reinforcing bar dimensions shown are out-to-out of bar.

MATERIAL NOTES:
 Provide Class C concrete (f'c = 3,600 psi).
 Provide Class C (HPC) concrete if shown elsewhere in the plans.
 Provide Grade 60 reinforcing steel.

HL93 LOADING

Texas Department of Transportation **Bridge Division Standard**

ABUTMENTS
PRESTR CONCRETE SLAB BEAM
24' ROADWAY
APSB-24

FILE: psbste09-17.dgn	DN: TxDOT	CK: TxDOT	DW: TxDOT	CK: TxDOT
©TxDOT January 2017	CONT	SECT	JOB	HIGHWAY
REVISIONS	DIST	COUNTY	SHEET NO.	