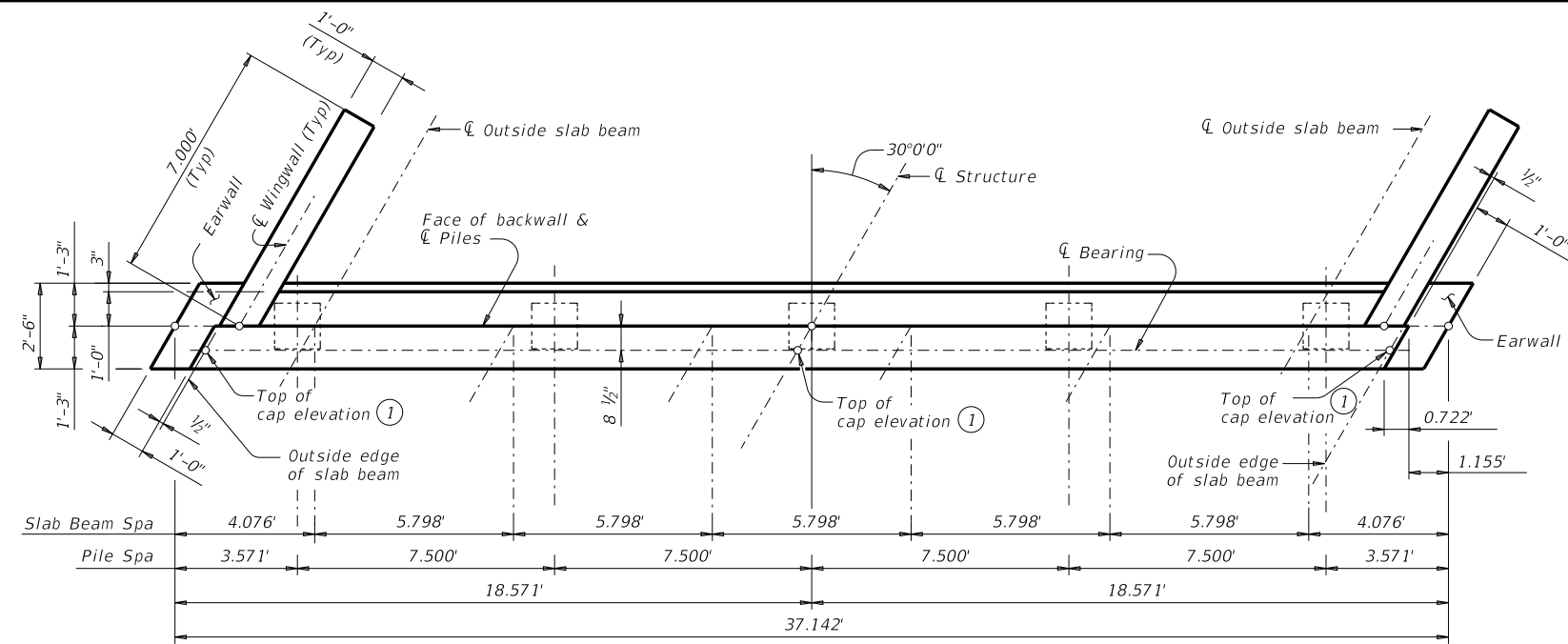
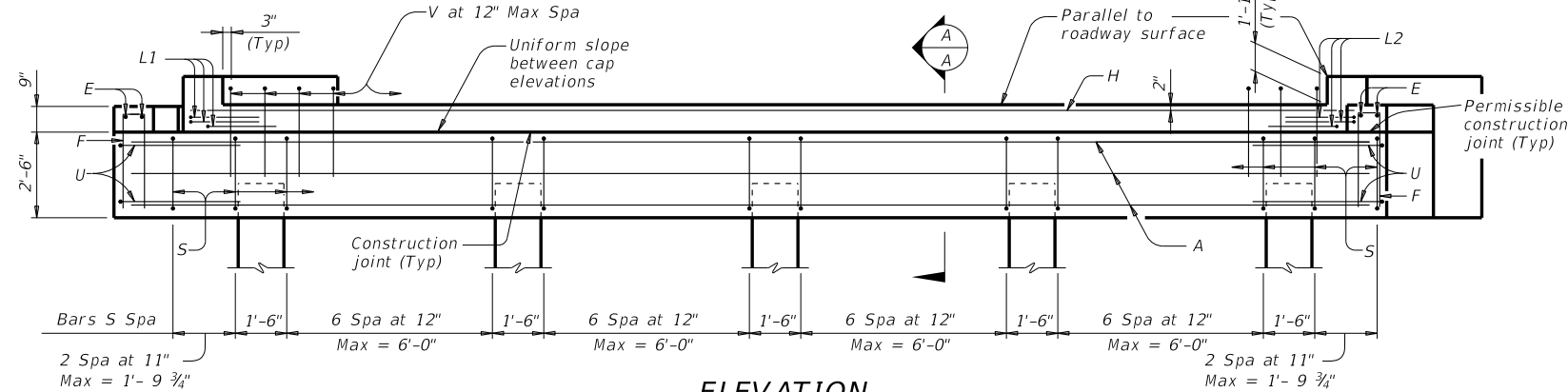


DISCLAIMER: The use of this standard is governed by the "Texas Engineering Practice Act". No warranty of any kind is made by TxDOT for any purpose whatsoever. TxDOT assumes no responsibility for the conversion of this standard to other formats or for incorrect results or damages resulting from its use.

DATE: FILE:

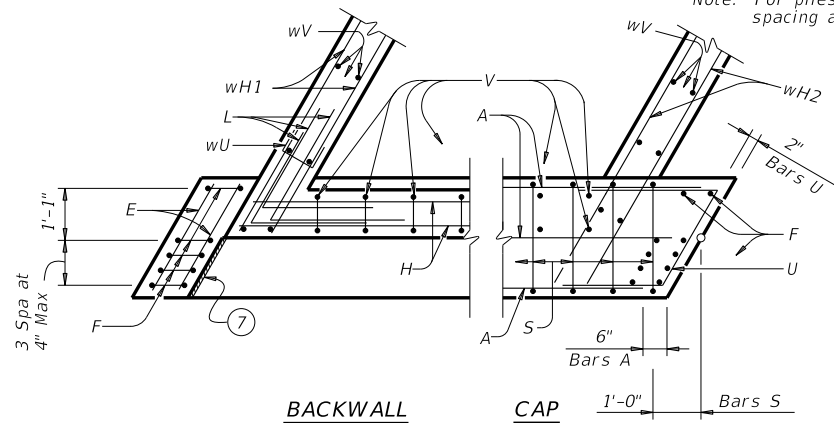


PLAN

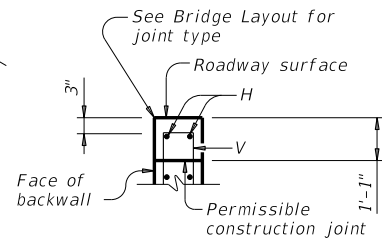


ELEVATION

Note: For piles larger than 16", adjust Bars S spacing as required to avoid piles.

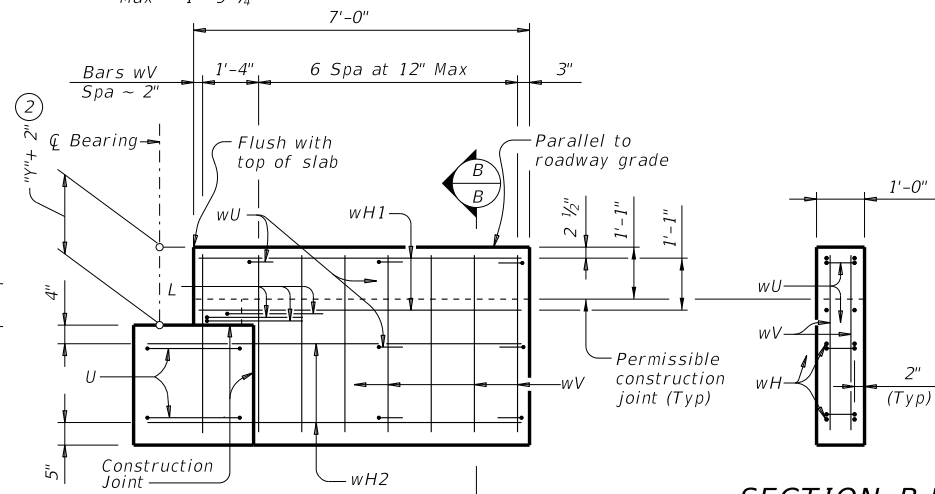


CORNER DETAILS



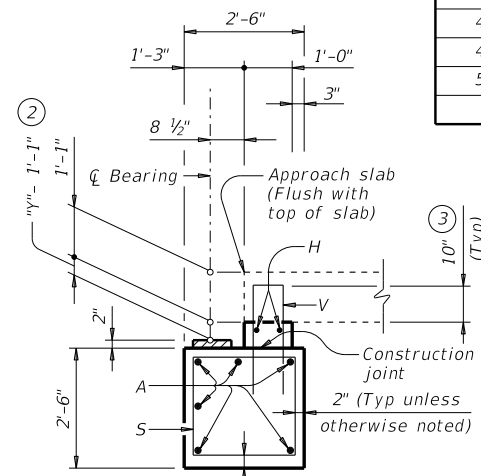
BACKWALL DETAIL

(Without approach slab)
Note: At Contractor's option, backwall may be cast in one lift to roadway surface.



WINGWALL ELEVATION

(Earwall not shown for clarity.)



SECTION A-A

(With approach slab)
Note: At Contractor's option, backwall may be cast with approach slab.

FOUNDATION LOADS

Span Length	Vertical Pile Loads	
	5SB12	5SB15
Ft	Tons/PILE	
25	26	27
30	29	31
35	31	34
40	34	37
45	40	
50	42	

TABLE OF ESTIMATED QUANTITIES

Bar	No.	Size	Length (5)		Weight (5)		
			5SB12	5SB15	5SB12	5SB15	
A	6	#11	36'-2"	36'-2"	1,153	1,153	
E	4	#4	2'-6"	2'-6"	7	7	
F	10	#4	6'-6"	6'-6"	44	44	
H	2	#5	34'-5"	34'-5"	72	72	
L1	3	#6	4'-0"	4'-0"	18	18	
L2	3	#6	4'-0"	4'-0"	18	18	
S	34	#4	9'-4"	9'-4"	212	212	
U	4	#6	7'-5"	7'-5"	45	45	
V	33	#5	7'-4"	7'-10"	252	270	
wH1	8	#6	6'-8"	6'-8"	80	80	
wH2	8	#6	7'-11"	7'-11"	95	95	
wU	14	#4	1'-8"	1'-8"	16	16	
wV	32	#5	3'-10"	4'-1"	128	136	
Reinforcing Steel					Lb	2,140	2,166
CL "C" Conc (Abut)					CY	11.5	11.9

- Top of cap elevations are based on section depths shown on Span Details.
- See Span Details for "Y".
- Increase as required to maintain 3" from finished grade.
- See Bridge Layout to determine if approach slab is present.
- See Bridge Layout for beam type used in the superstructure.
- Quantities shown are for one abutment only (with approach slab). Without approach slab, add 1.3 CY Class "C" concrete and 72 Lb reinforcing steel for 2 additional Bars H.
- 1/2" preformed bituminous fiber material between slab beam and earwall. Bond to earwall with an approved adhesive. Cast inside face of earwall perpendicular to cap. (Typ)

GENERAL NOTES:
Designed according to AASHTO LRFD Bridge Design Specifications.
Designed for a normal embankment header slope of 3:1 and a maximum span length of 50 feet.
See Bridge Layout for header slope and foundation type, size, and length.
See Common Foundation Details (FD) standard sheet for all foundation details and notes.
See Concrete Riprap (CRR) standard sheet or Stone Riprap (SRR) standard sheet for riprap attachment details, if applicable.
See applicable rail details for rail anchorage in wingwalls.
Details are drawn showing right forward skew. See Bridge Layout for actual skew direction.
These abutment details may be used with standard SPSB-28-30 only.

Cover dimensions are clear dimensions, unless noted otherwise.
Reinforcing bar dimensions shown are out-to-out of bar.

MATERIAL NOTES:
Provide Class C concrete (f'c = 3,600 psi).
Provide Class C (HPC) concrete if shown elsewhere in the plans.
Provide Grade 60 reinforcing steel.

HL93 LOADING

				Bridge Division Standard	
ABUTMENTS PRESTR CONCRETE SLAB BEAM (PILES) 28' ROADWAY 30° SKEW APSBP-28-30					
FILE: psbste16-17.dgn	DN: TxDOT	CK: TxDOT	DW: TxDOT	CK: TxDOT	
©TxDOT January 2017		CONT	SECT	JOB	HIGHWAY
REVISIONS					
DIST		COUNTY		SHEET NO.	