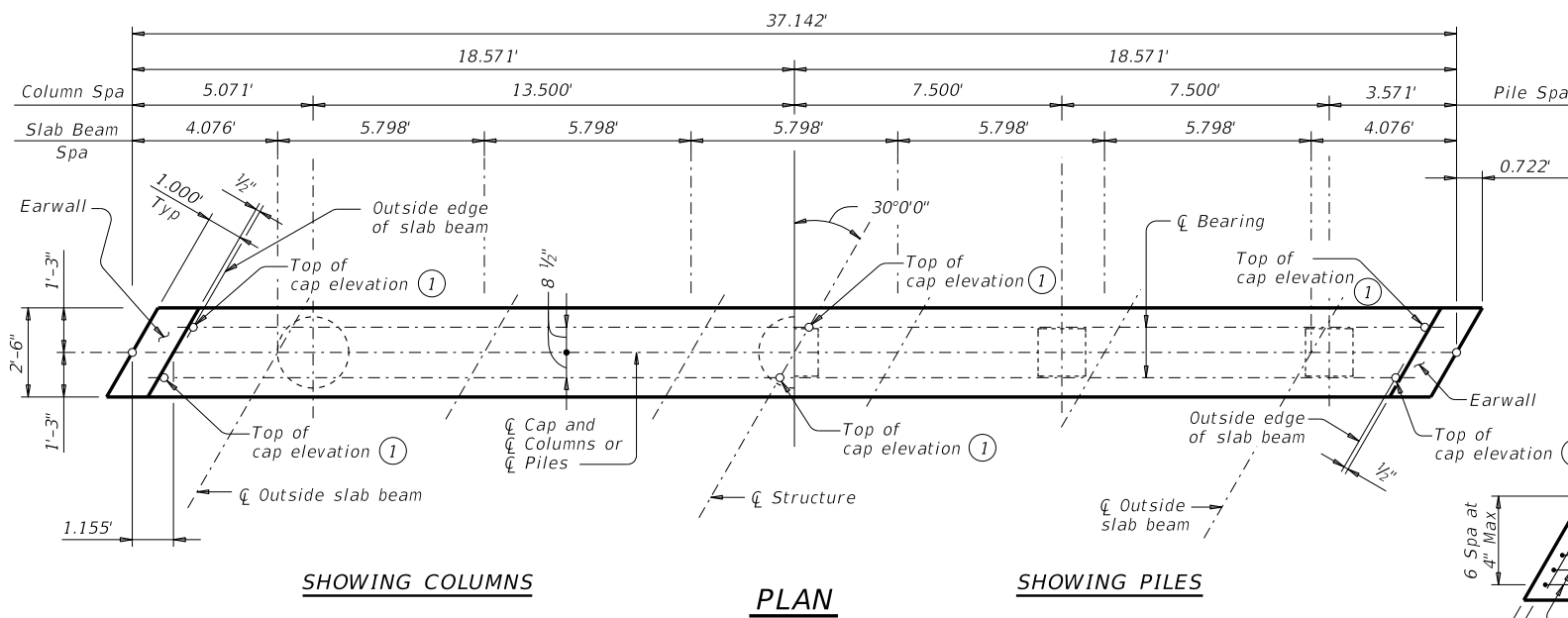


DISCLAIMER: The use of this standard is governed by the "Texas Engineering Practice Act". No warranty of any kind is made by TxDOT for any purpose whatsoever. TxDOT assumes no responsibility for the conversion of this standard to other formats or for incorrect results or damages resulting from its use.

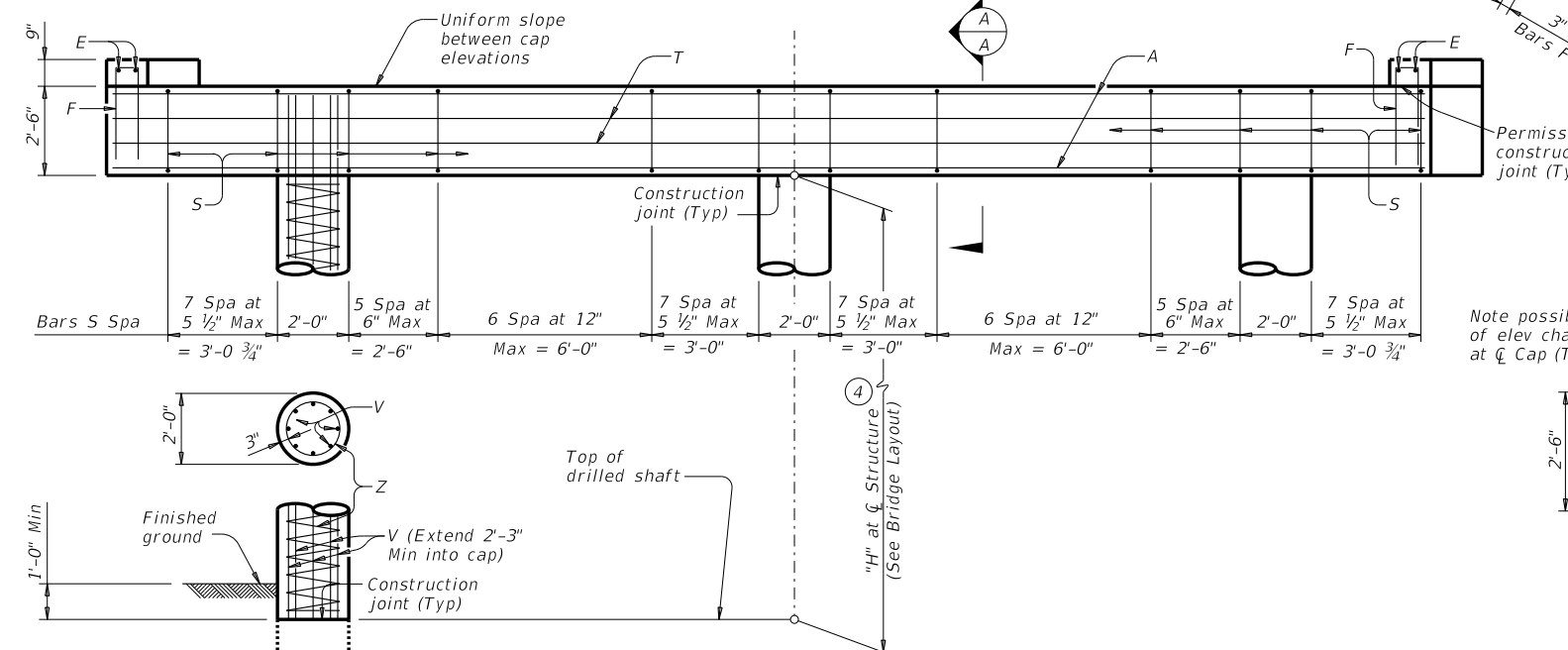
DATE: FILE:



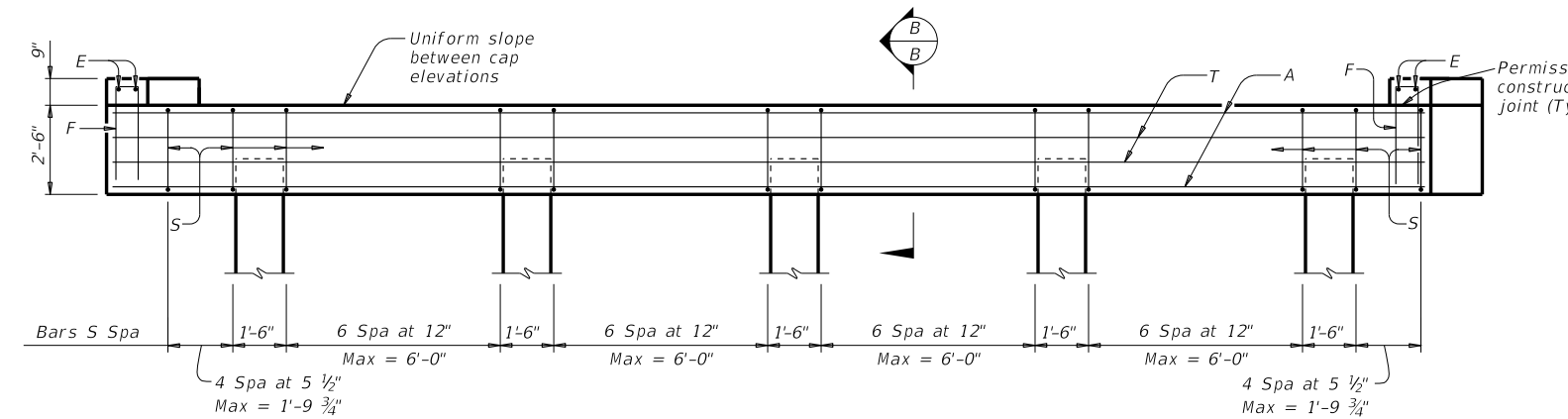
SHOWING COLUMNS

PLAN

SHOWING PILES



ELEVATION ~ 3 COLUMN BENT



ELEVATION ~ 5 PILE BENT

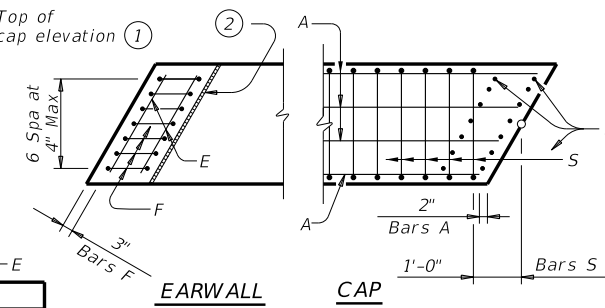
Note: For piles larger than 16", adjust Bars S spacing as required to avoid piles.

FOUNDATION LOADS				
Average Span Length	Drilled Shaft Loads (5)		Vertical Pile Loads	
	5SB12	5SB15	5SB12	5SB15
25	63	68	38	41
30	73	78	44	47
35	81	87	49	52
40	89	96	53	58
45		105		63
50		114		68

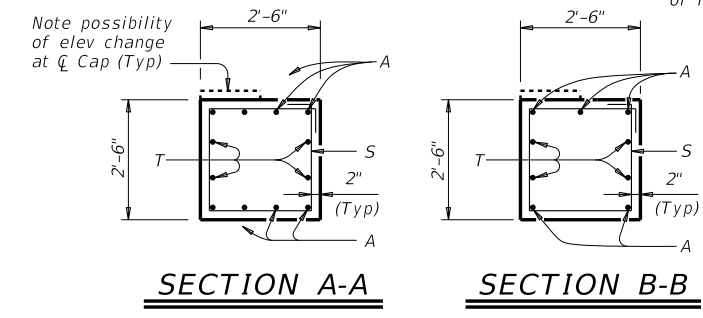
TABLE OF ESTIMATED QUANTITIES (3)					
3 COLUMN BENT					
Bar	No.	Size	Length	Weight	
A	8	#11	36'-10"	1,566	
E	4	#4	2'-6"	7	
F	14	#4	6'-7"	63	
S	54	#5	9'-8"	545	
T	4	#5	36'-10"	154	
V	24	#7	26'-3"	1,288	
Z	3	#3	242'-2"	273	
Reinforcing Steel				Lb	3,896
CI "C" Conc (Cap)				CY	8.8
CI "C" Conc (Col)				CY	8.4

TABLE OF ESTIMATED QUANTITIES					
5 PILE BENT					
Bar	No.	Size	Length	Weight	
A	5	#11	36'-10"	978	
E	4	#4	2'-6"	7	
F	14	#4	6'-7"	63	
S	38	#5	9'-8"	384	
T	4	#5	36'-10"	154	
Reinforcing Steel				Lb	1,586
Class "C" Concrete (Cap)				CY	8.8

TABLE OF MAXIMUM ALLOWABLE EXPOSED PILE HEIGHTS AND PILE LOADS (4)			
Pile Type		Max Ht	Max Load
Concrete	Steel	Ft	Tons/Pile
16" Sq	HP14x73	16	75
18" Sq	HP14x117 (6)	20	90

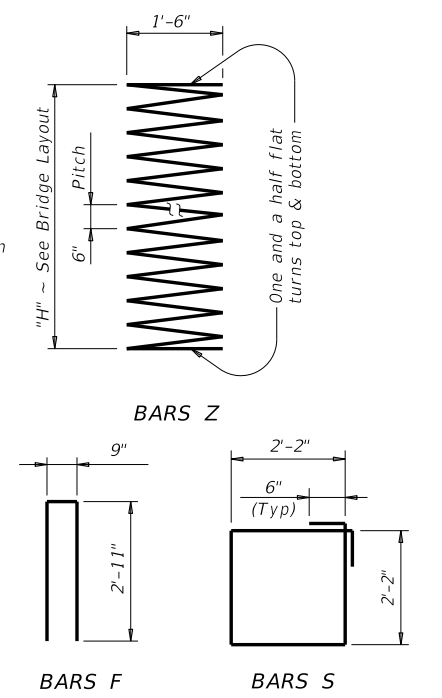


CAP END DETAIL



SECTION A-A

SECTION B-B



BARS F

BARS S

- Top of cap elevations are based on section depths shown on Span Details.
- 1/2" preformed bituminous fiber material between slab beam and earwall. Bond to earwall with an approved adhesive. Cast inside face of earwall perpendicular to cap. (Typ)
- Quantities shown are based on an "H" value of 24 feet. For each linear foot variation in "H" value, make the following adjustments:
 Bars V length, 1'-0"
 Bars Z length, 9'-6"
 Reinforcing Steel, 60 Lb
 Class "C" Conc (column), 0.35 CY
- This standard may not be used for "H" heights exceeding 24 feet or exposed pile heights exceeding the values shown in the table. In areas of very soft soil or where scour is anticipated, allowable "H" heights or exposed pile heights must be evaluated by the Engineer prior to the use of this standard.
- Foundation Loads based on "H" = 24 feet.
- When HP14x117 steel piling is specified in the plans, the Contractor has the option of furnishing either HP14x117 or HP16x101 steel piling.

GENERAL NOTES:
 Designed according to AASHTO LRFD Bridge Design Specifications. Bent selected must be based on the average span length rounded up to the next 5-foot increment.
 For pile bents supporting unequal spans, the shorter span cannot be less than 80 percent of the longer span.
 See Bridge Layout for foundation type, size, and length.
 See Common Foundation Details (FD) standard sheet for all foundation details and notes.
 These bent details do not support the use of multi-pile footings shown on the FD standard.
 Details are drawn showing right forward skew. See Bridge Layout for actual skew direction.
 These bent details may be used with standard SPSB-28-30 only.

Cover dimensions are clear dimensions, unless noted otherwise. Reinforcing bar dimensions shown are out-to-out of bar.

MATERIAL NOTES:
 Provide Class C concrete (f'c = 3,600 psi).
 Provide Class C (HPC) concrete if shown elsewhere in the plans.
 Provide Grade 60 reinforcing steel.

HL93 LOADING

Texas Department of Transportation
 Bridge Division Standard

INTERIOR BENTS
PRESTR CONCRETE SLAB BEAM
28' ROADWAY 30° SKEW
BPSB-28-30

FILE: psbste26-17.dgn	DN: TxDOT	CK: TxDOT	DW: TxDOT	CK: TxDOT
©TxDOT January 2017	CONT	SECT	JOB	HIGHWAY
REVISIONS				
	DIST	COUNTY		SHEET NO.