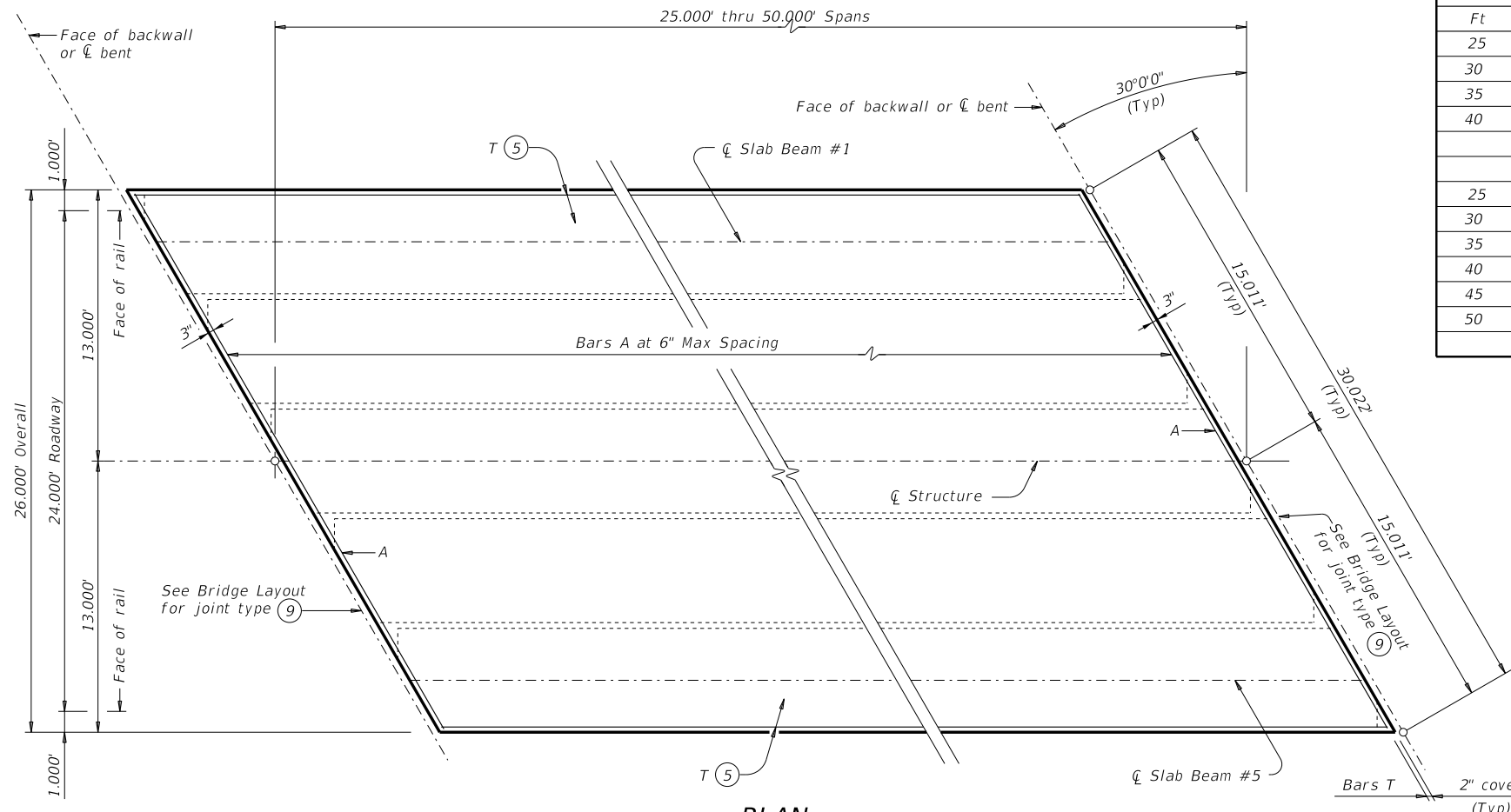
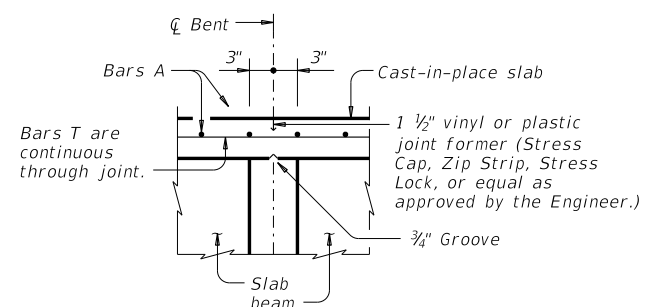
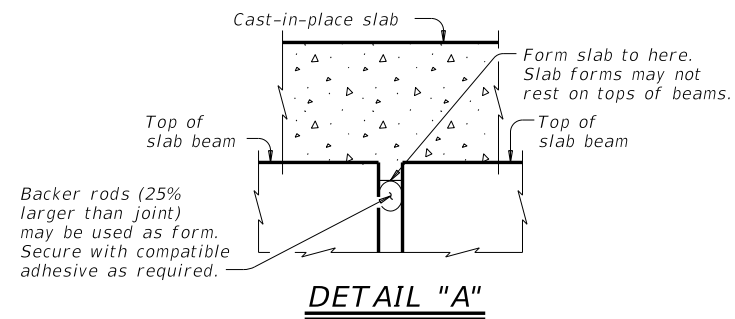


DISCLAIMER: The use of this standard is governed by the "Texas Engineering Practice Act". No warranty of any kind is made by TxDOT for any purpose whatsoever. TxDOT assumes no responsibility for the conversion of this standard to other formats or for incorrect results or damages resulting from its use.

DATE: FILE:



PLAN



CONTINUOUS SLAB DETAIL

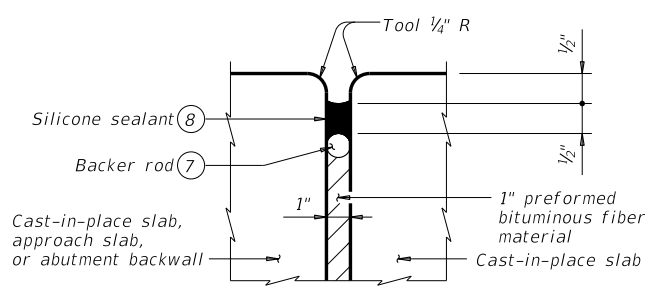
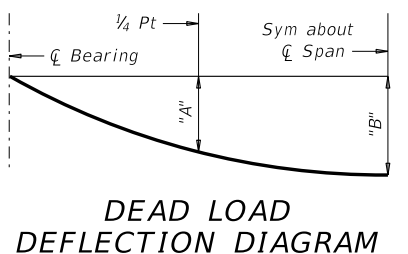


TABLE OF VARIABLE VALUES

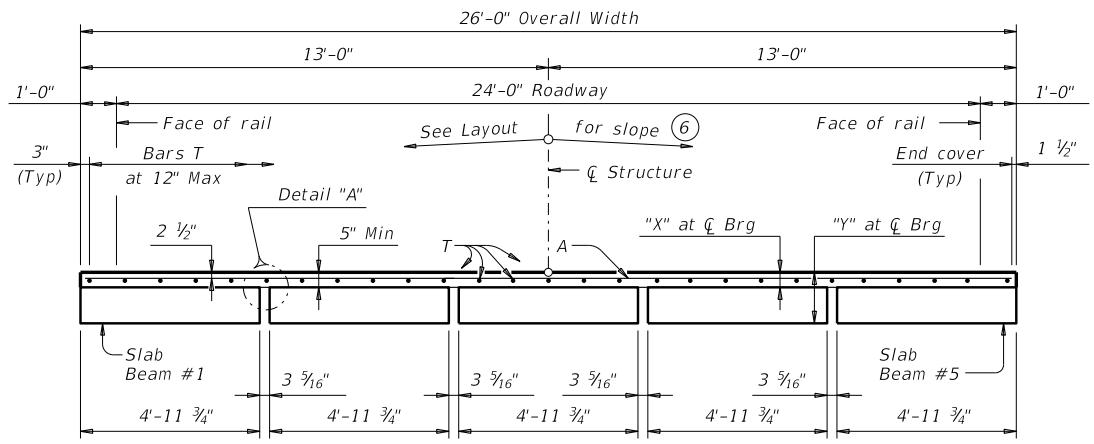
Span Length	Beam Type	Dead Load Deflection		Section Depths (3)	
		"A"	"B"	"X"	"Y"
Ft	(1)	Ft	Ft	In	Ft/In
25	5SB12	0.004	0.005	5 1/4"	1'-5 1/4"
30	5SB12	0.008	0.011	5 1/2"	1'-5 1/2"
35	5SB12	0.015	0.021	6"	1'-6"
40	5SB12	0.026	0.036	6 1/2"	1'-6 1/2"
25	5SB15	0.002	0.003	5 1/4"	1'-8 1/4"
30	5SB15	0.004	0.006	5 1/2"	1'-8 1/2"
35	5SB15	0.008	0.011	5 3/4"	1'-8 3/4"
40	5SB15	0.013	0.019	5 3/4"	1'-8 3/4"
45	5SB15	0.022	0.030	6 1/2"	1'-9 1/2"
50	5SB15	0.034	0.047	7"	1'-10"



NOTE: Deflections shown are due to concrete slab only ( $E_c = 5,000$  ksi). Calculated deflections shown are theoretical and actual dimensions may vary. Adjust based on field verification.

BAR TABLE

BAR	SIZE
A	#5
T	#4



TYPICAL TRANSVERSE SECTION

TABLE OF ESTIMATED QUANTITIES

SPAN LENGTH	REINF CONCRETE SLAB (SLAB BEAM)	PRESTR CONC SLAB BEAMS (5SB12 OR 5SB15) (1)			TOTAL REINF STEEL (2)
		ABUT TO INT BT	INT BT TO INT BT	ABUT TO ABUT	
Ft	SF	LF (4)	LF (4)	LF (4)	Lb
25	650	122.31	122.50	122.11	1,820
30	780	147.31	147.50	147.11	2,180
35	910	172.31	172.50	172.11	2,550
40	1,040	197.31	197.50	197.11	2,910
45	1,170	222.31	222.50	222.11	3,280
50	1,300	247.31	247.50	247.11	3,640

- See Bridge Layout for beam type used in the superstructure. These standards do not provide for the use of both SB12 and SB15 beams within the same structure.
- Reinforcing steel weight is calculated using an approximate factor of 2.8 Lbs/SF.
- Based on theoretical beam camber, dead load deflections of 5" cast-in-place concrete slab and a constant grade.
- Fabricator will adjust beam lengths for beam slopes as required.
- Where slab is continuous over Interior Bents, Bars T are continuous through Joint. See "Continuous Slab Detail".
- This standard does not provide for changes in roadway cross-slopes within the structure.
- 1 1/4" backer rod must be compatible with joint sealant. Use of multiple pieces to create a backer rod cross section is not permitted. Top of backer rod must be convex as shown.
- Class 7 silicone sealant that conforms to DMS-6310. Install when ambient temperature is between 55°F and 85°F and rising. Engineer to determine allowable hours for sealant application.
- See Bridge Layout for expansion joint locations. If using Type A expansion joints, the maximum distance between joints is 100 feet. Type A joints are subsidiary to Item 422, "Concrete Superstructures".

GENERAL NOTES

Designed according to AASHTO LRFD Bridge Design Specifications. This standard does not provide for vertical curves in roadway grade within the structure. Two- or three-span units, with slab continuous over interior bents, may be formed with the details shown on this sheet. See applicable rail details for rail anchorage in slab. Details are drawn showing right forward skew. See Bridge Layout for actual skew direction. This standard does not support the use of transition bents.

Cover dimensions are clear dimensions, unless noted otherwise.

MATERIAL NOTES

Provide Class 5 concrete ( $f'_c = 4,000$  psi). Provide Class 5 (HPC) concrete if shown elsewhere in the plans. Provide Grade 60 reinforcing steel. Provide bar laps, where required, as follows:  
Uncoated ~ #4 = 1'-7"  
          ~ #5 = 2'-0"  
Epoxy coated ~ #4 = 2'-5"  
              ~ #5 = 3'-0"  
Deformed welded wire reinforcement (WWR) (ASTM A1064) of equal size and spacing may be substituted for Bars A or T unless noted otherwise.

HL93 LOADING

Bridge Division Standard

PRESTRESSED CONCRETE  
SLAB BEAM SPANS  
(TY SB12 OR SB15)  
24' ROADWAY      30° SKEW

SPSB-24-30

FILE: psbste32-17.dgn	DN: TxDOT	CK: TxDOT	DW: TxDOT	CK: TxDOT
©TxDOT January 2017		CONT	SECT	HIGHWAY
REVISIONS				
DIST	COUNTY			SHEET NO.