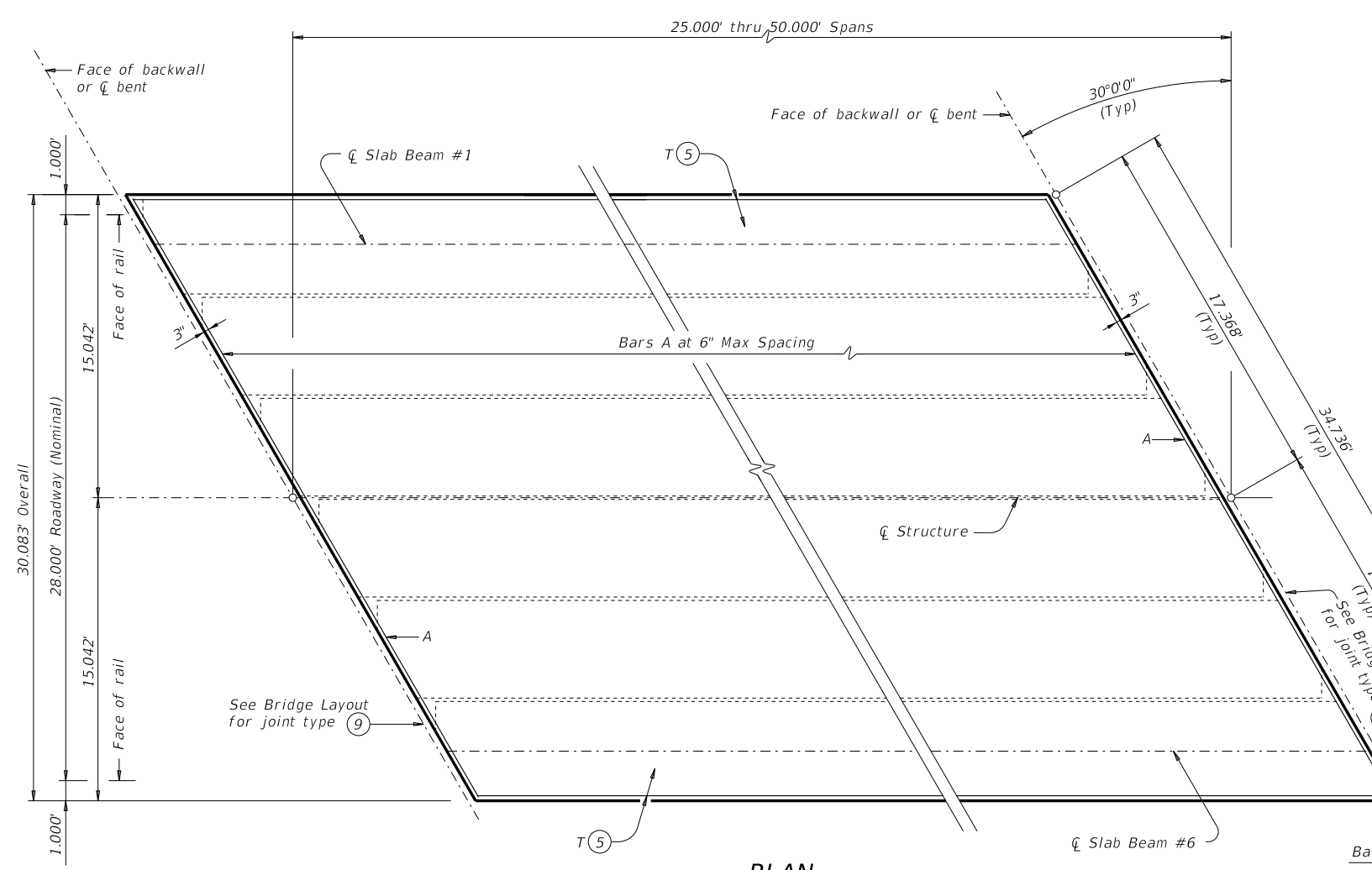


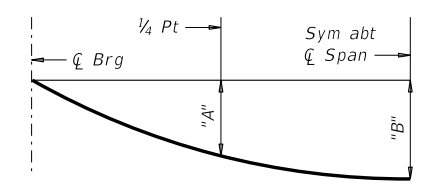
DISCLAIMER: The use of this standard is governed by the "Texas Engineering Practice Act". No warranty of any kind is made by TxDOT for any purpose whatsoever. TxDOT assumes no responsibility for the conversion of this standard to other formats or for incorrect results or damages resulting from its use.

DATE: FILE:



PLAN

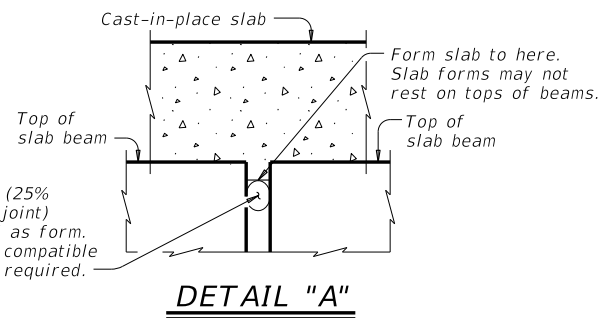
Span Length	Beam Type	Dead Load Deflection		Section Depths	
		"A"	"B"	"X"	"Y"
Ft	(1)	Ft	Ft	In	Ft/In
25	5SB12	0.003	0.005	5 1/4"	1'-5 1/4"
30	5SB12	0.007	0.010	5 1/2"	1'-5 1/2"
35	5SB12	0.014	0.020	6"	1'-6"
40	5SB12	0.025	0.035	6 1/2"	1'-6 1/2"
25	5SB15	0.002	0.003	5 1/4"	1'-8 1/4"
30	5SB15	0.004	0.005	5 1/2"	1'-8 1/2"
35	5SB15	0.007	0.010	5 1/2"	1'-8 1/2"
40	5SB15	0.013	0.018	5 3/4"	1'-8 3/4"
45	5SB15	0.021	0.029	6 1/4"	1'-9 1/4"
50	5SB15	0.032	0.045	6 3/4"	1'-9 3/4"



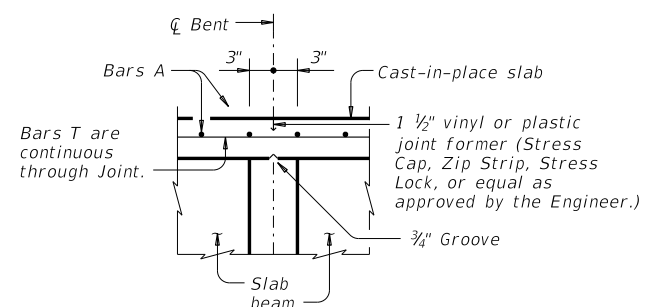
DEAD LOAD DEFLECTION DIAGRAM

NOTE: Deflections shown are due to concrete slab only ($E_c = 5,000$ ksi). Calculated deflections shown are theoretical and actual dimensions may vary. Adjust based on field verification.

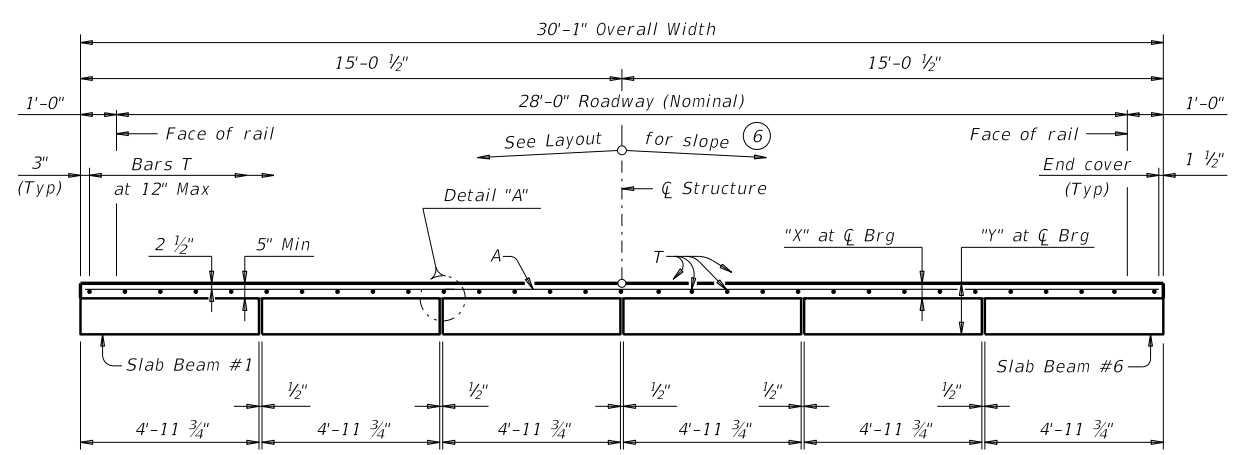
BAR	SIZE
A	#5
T	#4



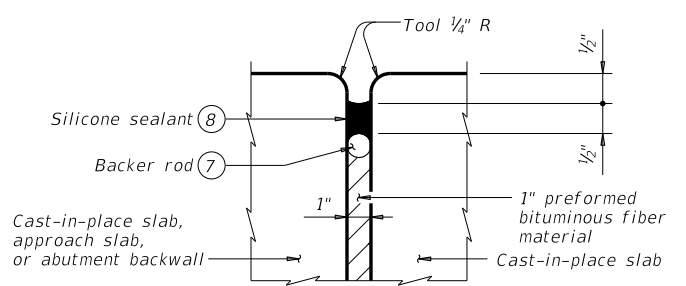
DETAIL "A"



CONTINUOUS SLAB DETAIL



TYPICAL TRANSVERSE SECTION



TYPE A JOINT DETAIL (9)

SPAN LENGTH	REINF CONCRETE SLAB (SLAB BEAM)	PRESTR CONC SLAB BEAM (5SB12 OR 5SB15) (1)			TOTAL REINF STEEL (2)
		ABUT TO INT BT (4)	INT BT TO INT BT (4)	ABUT TO ABUT (4)	
Ft	SF	LF (4)	LF (4)	LF (4)	Lb
25	752	146.77	147.00	146.54	2,110
30	903	176.77	177.00	176.54	2,530
35	1,053	206.77	207.00	206.54	2,950
40	1,203	236.77	237.00	236.54	3,370
45	1,354	266.77	267.00	266.54	3,790
50	1,504	296.77	297.00	296.54	4,210

- See Bridge Layout for beam type used in the superstructure. These standards do not provide for the use of both SB12 and SB15 beams within the same structure.
- Reinforcing steel weight is calculated using an approximate factor of 2.8 Lbs/SF.
- Based on theoretical beam camber, dead load deflections of 5" cast-in-place concrete slab and a constant grade.
- Fabricator will adjust beam lengths for beam slopes as required.
- Where slab is continuous over Interior Bents, Bars T are continuous through Joint. See "Continuous Slab Detail".
- This standard does not provide for changes in roadway cross-slopes within the structure.
- 1 1/4" backer rod must be compatible with joint sealant. Use of multiple pieces to create a backer rod cross section is not permitted. Top of backer rod must be convex as shown.
- Class 7 silicone sealant that conforms to DMS-6310. Install when ambient temperature is between 55°F and 85°F and rising. Engineer to determine allowable hours for sealant application.
- See Bridge Layout for expansion joint locations. If using Type A expansion joints, the maximum distance between joints is 100 feet. Type A joints are subsidiary to Item 422, "Concrete Superstructures".

GENERAL NOTES:
 Designed according to AASHTO LRFD Bridge Design Specifications. This standard does not provide for vertical curves in roadway grade within the structure.
 Two- or three-span units, with slab continuous over interior bents, may be formed with the details shown on this sheet. See applicable rail details for rail anchorage in slab. Details are drawn showing right forward skew. See Bridge Layout for actual skew direction.
 This standard does not support the use of transition bents.

Cover dimensions are clear dimensions, unless noted otherwise.

MATERIAL NOTES:
 Provide Class 5 concrete ($f'_c = 4,000$ psi).
 Provide Class 5 (HPC) concrete if shown elsewhere in the plans.
 Provide Grade 60 reinforcing steel.
 Provide bar laps, where required, as follows:
 Uncoated ~ #4 = 1'-7"
 ~ #5 = 2'-0"
 Epoxy coated ~ #4 = 2'-5"
 ~ #5 = 3'-0"

Deformed welded wire reinforcement (WWR) (ASTM A1064) of equal size and spacing may be substituted for Bars A or T unless noted otherwise.

HL93 LOADING

		Bridge Division Standard
PRESTRESSED CONCRETE SLAB BEAM SPANS (TY SB12 OR SB15)		
28' ROADWAY		30° SKEW
SPSB-28-30		
FILE: pbsste35-17.dgn	DN: TxDOT	CK: TxDOT
©TxDOT January 2017	CON: TxDOT	SECT: TxDOT
REVISIONS	JOB	HIGHWAY
DIST	COUNTY	SHEET NO.