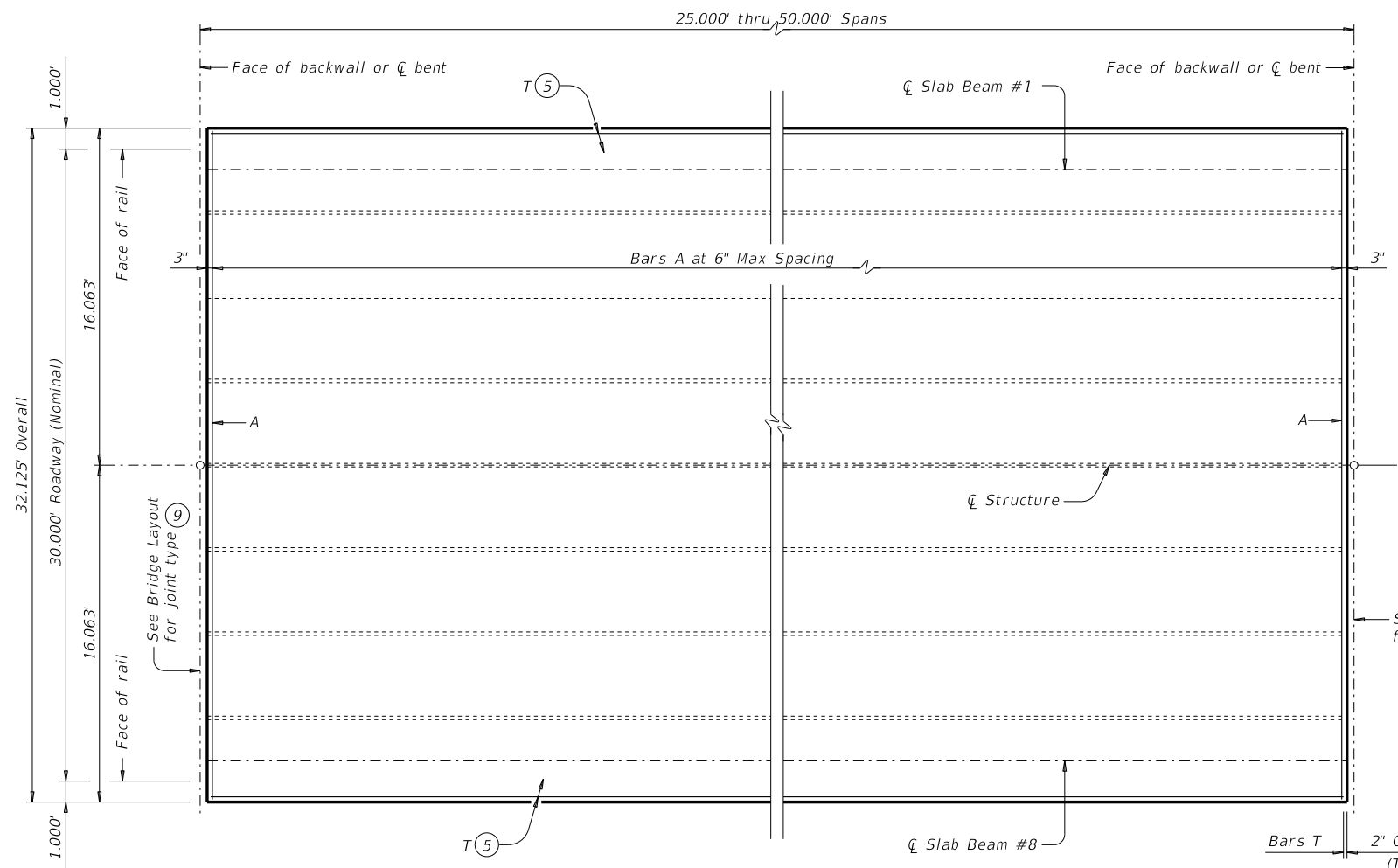
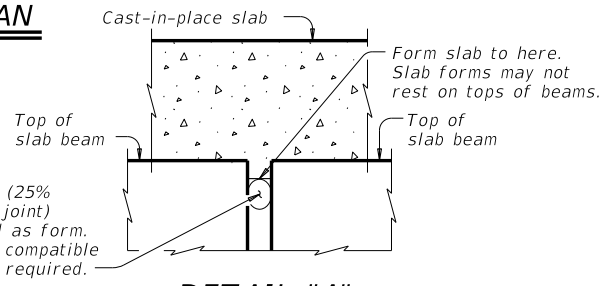


DISCLAIMER: The use of this standard is governed by the "Texas Engineering Practice Act". No warranty of any kind is made by TxDOT for any purpose whatsoever. TxDOT assumes no responsibility for the conversion of this standard to other formats or for incorrect results or damages resulting from its use.

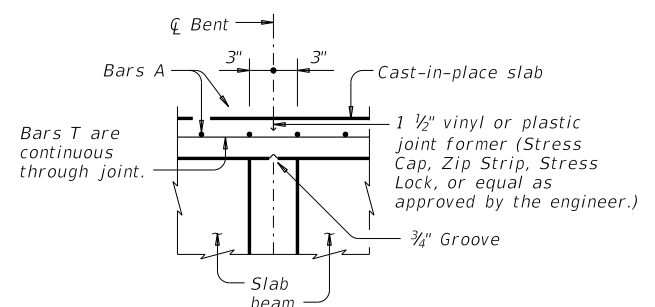
DATE: FILE:



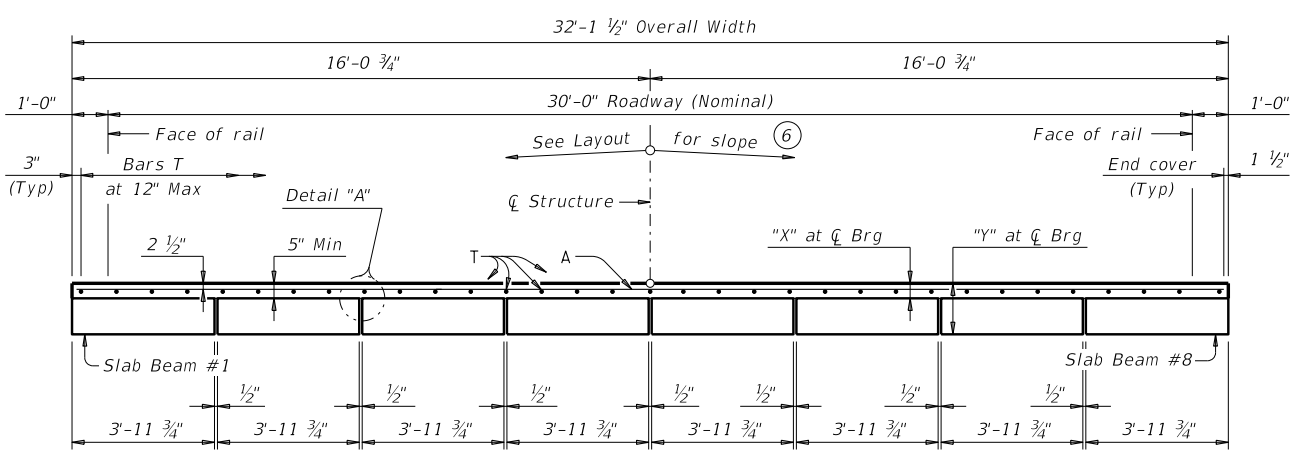
**PLAN**



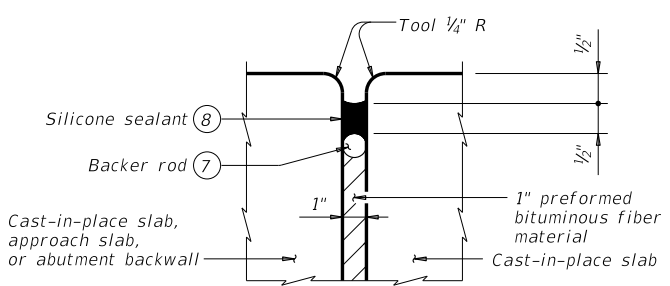
**DETAIL "A"**



**CONTINUOUS SLAB DETAIL**



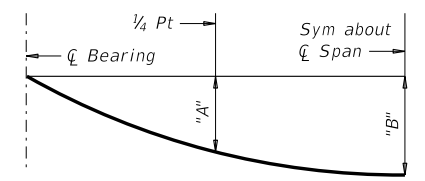
**TYPICAL TRANSVERSE SECTION**



**TYPE A JOINT DETAIL (9)**

**TABLE OF VARIABLE VALUES**

Span Length	Beam Type	Dead Load Deflection		Section Depths (3)	
		"A"	"B"	"X"	"Y"
Ft	(1)	Ft	Ft	In	Ft/In
25	4SB12	0.003	0.005	5 1/4"	1'-5 1/4"
30	4SB12	0.007	0.010	5 1/2"	1'-5 1/2"
35	4SB12	0.014	0.020	6"	1'-6"
40	4SB12	0.025	0.035	6 1/2"	1'-6 1/2"
25	4SB15	0.002	0.003	5 1/4"	1'-8 1/4"
30	4SB15	0.004	0.005	5 1/2"	1'-8 1/2"
35	4SB15	0.007	0.010	5 1/2"	1'-8 1/2"
40	4SB15	0.013	0.018	5 3/4"	1'-8 3/4"
45	4SB15	0.021	0.029	6 1/2"	1'-9 1/2"
50	4SB15	0.032	0.045	7"	1'-10"



**DEAD LOAD DEFLECTION DIAGRAM**

NOTE: Deflections shown are due to concrete slab only ( $E_c = 5,000$  ksi). Calculated deflections shown are theoretical and actual dimensions may vary. Adjust based on field verification.

**BAR TABLE**

BAR	SIZE
A	#5
T	#4

**TABLE OF ESTIMATED QUANTITIES**

SPAN LENGTH	REINF CONCRETE SLAB (SLAB BEAM)	PRESTR CONC SLAB BEAM (4SB12 OR 4SB15) (1)			TOTAL REINF STEEL (2)
		ABUT TO INT BT	INT BT TO INT BT	ABUT TO ABUT	
Ft	SF	LF (4)	LF (4)	LF (4)	Lb
25	803	196.00	196.00	196.00	2,250
30	964	236.00	236.00	236.00	2,700
35	1,124	276.00	276.00	276.00	3,150
40	1,285	316.00	316.00	316.00	3,600
45	1,446	356.00	356.00	356.00	4,050
50	1,606	396.00	396.00	396.00	4,500

- See Bridge Layout for beam type used in the superstructure. These standards do not provide for the use of both SB12 and SB15 beams within the same structure.
- Reinforcing steel weight is calculated using an approximate factor of 2.8 Lbs/SF.
- Based on theoretical beam camber, dead load deflections of 5" cast-in-place concrete slab and a constant grade. The Contractor will adjust these values for any vertical curve.
- Fabricator will adjust beam lengths for beam slopes as required.
- Where slab is continuous over Interior Bents, Bars T are continuous through Joint. See "Continuous Slab Detail".
- This standard does not provide for changes in roadway cross-slopes within the structure.
- 1 1/4" backer rod must be compatible with joint sealant. Use of multiple pieces to create a backer rod cross section is not permitted. Top of backer rod must be convex as shown.
- Class 7 silicone sealant that conforms to DMS-6310. Install when ambient temperature is between 55°F and 85°F and rising. Engineer to determine allowable hours for sealant application.
- See Bridge Layout for expansion joint locations. If using Type A expansion joints, the maximum distance between joints is 100 feet. Type A joints are subsidiary to Item 422, "Concrete Superstructures".

**GENERAL NOTES:**

Designed according to AASHTO LRFD Bridge Design Specifications. Two- or three-span units, with slab continuous over interior bents, may be formed with the details shown on this sheet. See applicable rail details for rail anchorage in slab. This standard does not support the use of transition bents.

Cover dimensions are clear dimensions, unless noted otherwise.

**MATERIAL NOTES:**

Provide Class S concrete ( $f'_c = 4,000$  psi).  
 Provide Class S (HPC) concrete if shown elsewhere in the plans.  
 Provide Grade 60 reinforcing steel.  
 Provide bar laps, where required, as follows:  
 Uncoated ~ #4 = 1'-7"  
 ~ #5 = 2'-0"  
 Epoxy coated ~ #4 = 2'-5"  
 ~ #5 = 3'-0"  
 Deformed welded wire reinforcement (WWR) (ASTM A1064) of equal size and spacing may be substituted for Bars A or T unless noted otherwise.

**HL93 LOADING**

**Texas Department of Transportation** Bridge Division Standard

**PRESTRESSED CONCRETE SLAB BEAM SPANS (TY SB12 OR SB15) 30' ROADWAY**

**SPSB-30**

FILE: pbsste36-17.dgn	DN: TxDOT	CK: TxDOT	OW: TxDOT	CK: TxDOT
©TxDOT January 2017		CONT	SECT	HIGHWAY
REVISIONS		DIST	COUNTY	SHEET NO.