

DISCLAIMER: The use of this standard is governed by the "Texas Engineering Practice Act". No warranty of any kind is made by TxDOT for any purpose whatsoever. TxDOT assumes no responsibility for the conversion of this standard to other formats or for incorrect results or damages resulting from its use.

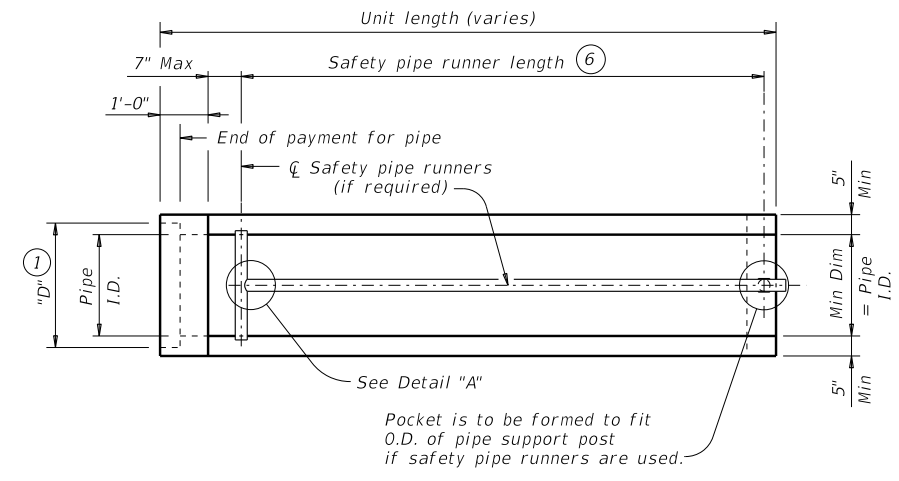
DATE: FILE:

REQUIREMENTS FOR CULVERT PIPES AND SAFETY PIPE RUNNERS

Pipe I.D.	RCP Wall "B" Thickness	TP Wall Thickness (8)	"D" (1)	Slope	Min Length of Unit	Single Pipe		Multiple Pipes		
						Skew	Pipe Runners Required	Skew	Pipe Runners Required	
12"	2"	1.15"	17.00"	3:1	2' - 11"	≤ 45°	No	≤ 45°	No	
					4:1					3' - 6"
					6:1					4' - 9"
15"	2 1/4"	1.30"	20.50"	3:1	3' - 8"	≤ 45°	No	≤ 45°	No	
					4:1					4' - 7"
					6:1					6' - 5"
18"	2 1/2"	1.60"	24.00"	3:1	4' - 6"	≤ 45°	No	≤ 45°	No	
					4:1					5' - 8"
					6:1					8' - 0"
24"	3"	1.95"	31.00"	3:1	6' - 2"	≤ 45°	No	= 30°	No	
					4:1					7' - 10"
					6:1					11' - 3"
30"	3 1/2"	2.65"	38.50"	3:1	7' - 10"	= 15°	No	= 15°	No	
					4:1					10' - 1"
					6:1					14' - 8"
36"	4"	2.75"	45.50"	3:1	9' - 5"	= 0°	No	≥ 0°	Yes	
					4:1					12' - 3"
					6:1					17' - 11"
42"	4 1/2"	N/A	52.50"	3:1	11' - 1"	≥ 0°	Yes	≥ 0°	Yes	
					4:1					14' - 5"
					6:1					21' - 2"

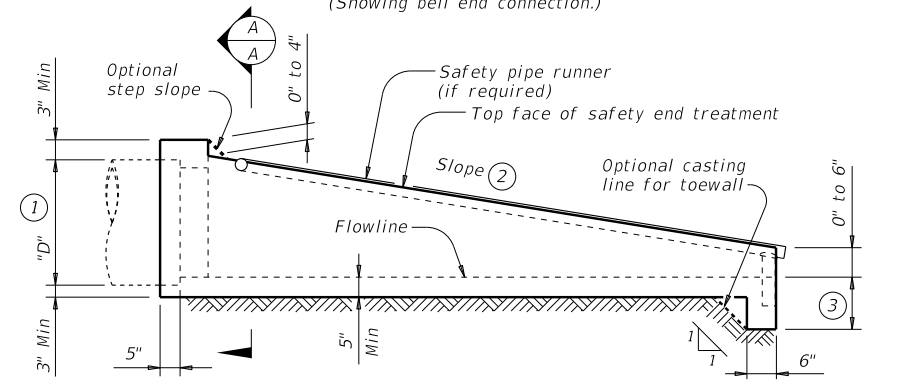
SAFETY PIPE RUNNER DIMENSIONS

Max Safety Pipe Runner Length	Required Pipe Runner Size		
	Pipe Size	Pipe O.D.	Pipe I.D.
11' - 2"	3" STD	3.500"	3.068"
15' - 6"	3 1/2" STD	4.000"	3.548"
20' - 10"	4" STD	4.500"	4.026"
35' - 4"	5" STD	5.563"	5.047"



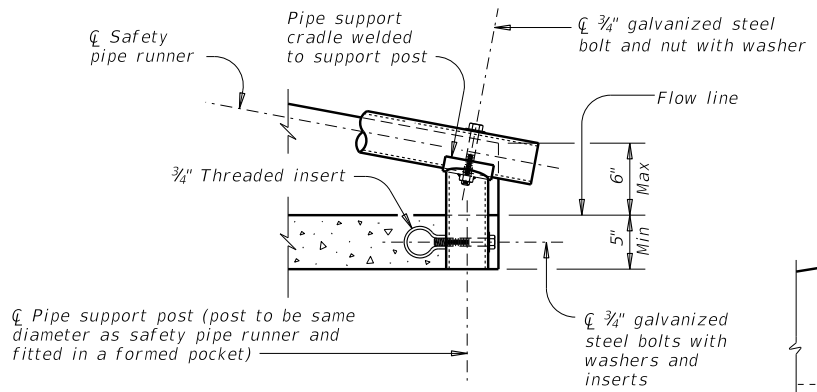
PLAN

(Showing bell end connection.)



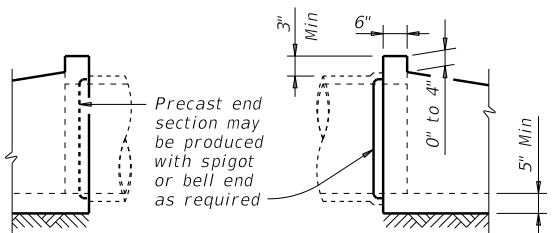
LONGITUDINAL ELEVATION

(Showing bell end connection.)



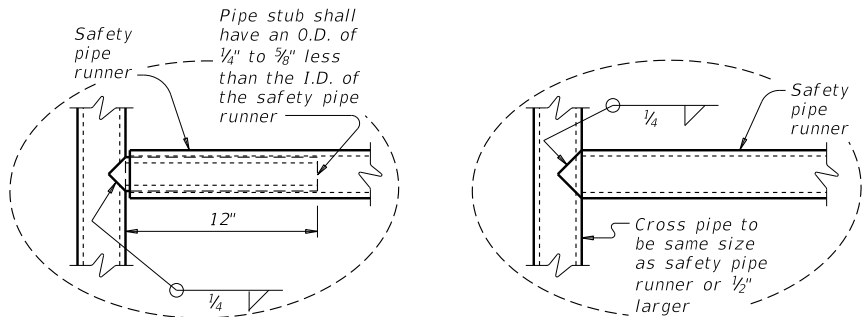
END DETAIL FOR INSTALLATION OF SAFETY PIPE RUNNERS

(If required)



OPTIONAL JOINT FOR RCP

(Showing joint between RCP and precast safety end treatment)

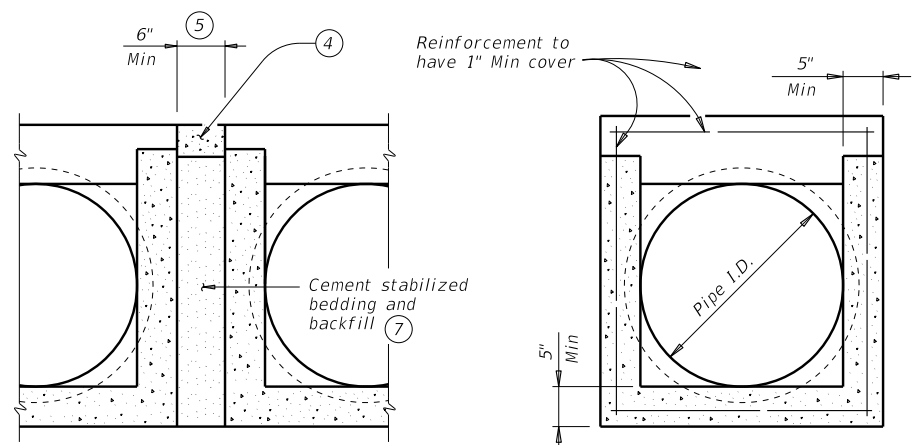


OPTION A

DETAIL A

OPTION B

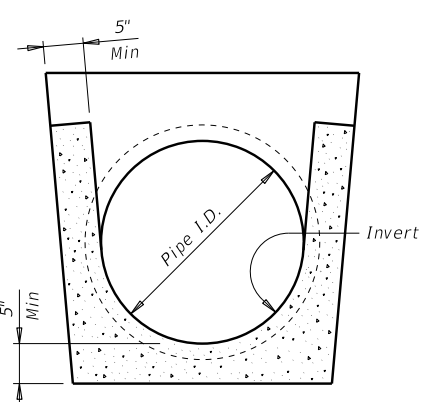
(If required)



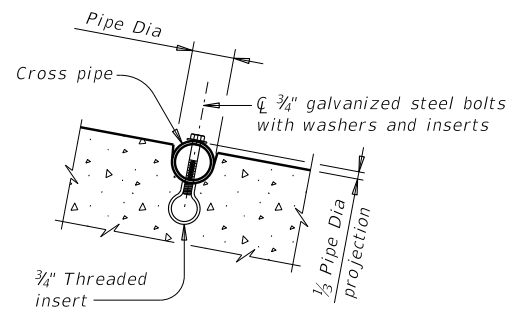
MULTIPLE PIPE INSTALLATION

OPTION WITH SQUARE BOTTOM

SECTION A-A



OPTION WITH INVERT BOTTOM



INSTALLATION DETAIL FOR SAFETY PIPE RUNNERS

(If required)

- 1 Dimension "D" is based on reinforced concrete pipe (RCP) meeting the requirements of ASTM C-76, Class III, (RCP Wall "B" thickness). Adjust "D" for any other wall thickness used. For thermoplastic pipe (TP) take into account the annular space requirements for grouted connections.
- 2 Slope as shown elsewhere in plans. Slope of 3:1 or flatter is required for vehicle safety.
- 3 Toewall to be used only when dimension is shown elsewhere in the plans.
- 4 Fill the top 4" of void between precast end treatments with concrete riprap. Concrete riprap is considered subsidiary to the Item 467, "Safety End Treatment".
- 5 Adjust clear distance between pipes to provide for the minimum distance between safety end treatments.
- 6 Measured along slope.
- 7 Provide cement stabilized bedding and backfill in accordance with the Item 400, "Excavation and Backfill for Structures". Bedding and backfill is considered subsidiary to the Item 467, "Safety End Treatment". When concrete riprap is specified around the safety end treatment, backfill as directed by Engineer.
- 8 Thermoplastic pipe wall thickness may vary. Adjust accordingly. Thermoplastic pipe requires the safety end treatments to have a bell end for grouted connections.

GENERAL NOTES:

Precast safety end treatment for reinforced concrete pipe (RCP), and thermoplastic pipe (TP) may be used for TYPE II end treatment as specified in Item "Safety End Treatment".

When precast safety end treatment is used as a Contractor's alternate to mitered RCP, riprap will not be required unless noted otherwise on the plans.

Synthetic fibers listed on the "Fibers for Concrete" Material Producer List (MPL) may be used in lieu of steel reinforcing in riprap concrete unless noted otherwise.

Manufacture this product in accordance with Item 467, "Safety End Treatment" except as noted below:

- A. Provide minimum reinforcing of #4 at 6" (Grade 40) or #4 at 9" (Grade 60) each way or 6"x6" - D12 x D12 or 5"x5" - D10 x D10 welded wire reinforcement (WWR).
- B. For precast (steel formed) sections, provide Class "C" concrete (f'c = 3,600 psi).

At the option and expense of the Contractor, the next larger size of safety end treatment may be furnished as long as the "D" dimension cast is that of the required size of pipe.

Pipe runners are designed for a traversing load of 1,800 Lbs at yield as recommended by Research Report 280-1, "Safety Treatment of Roadside Cross-Drainage Structures", Texas Transportation Institute, March 1981.

Provide safety pipe runners, cross pipes, pipe support posts, and pipe stubs meeting the requirements of ASTM A53 (Type E or S, Grade B), ASTM A500 (Grade B), or API 5LX52.

Galvanize all steel components except reinforcing steel after fabrication. Repair galvanizing damaged during transport or construction in accordance with the specifications.

Connect RCP using the Optional Joint for RCP detail shown or in accordance with Item 464 "Reinforced Concrete Pipe". Connect TP by grouting. See PBGC standard for grouted connections with TP and precast safety end treatment.

Bridge Division Standard

PRECAST SAFETY END TREATMENT

TYPE II ~ CROSS DRAINAGE

PSET-SC

FILE: psetscss-20.dgn	DN: RLW	CK: KLR	DW: JTR	CK: GAF
©TxDOT February 2020	CONT	SECT	JOB	HIGHWAY
REVISIONS				
DIST		COUNTY		SHEET NO.