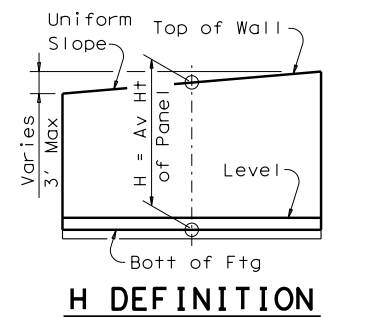
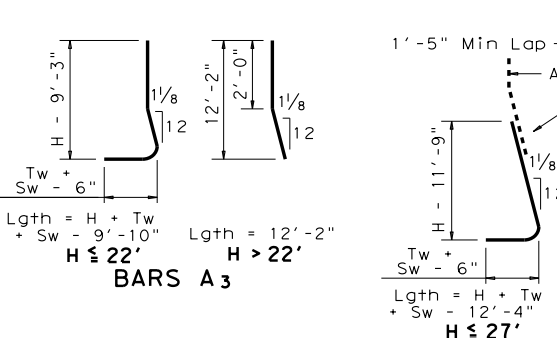
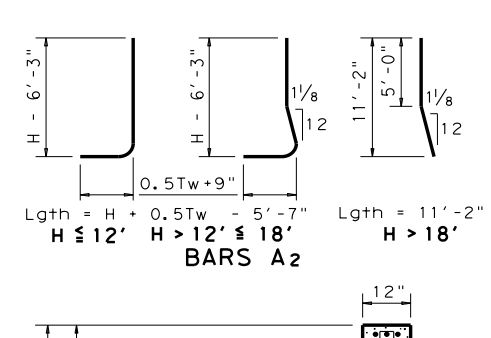
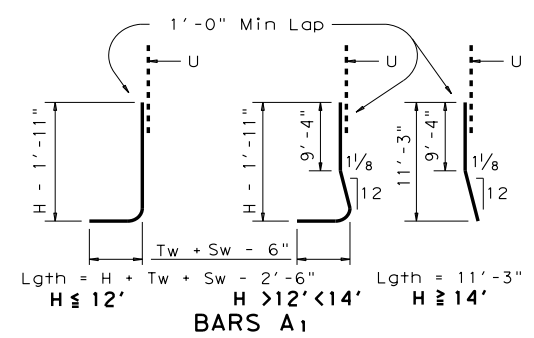


DISCLAIMER: The use of this standard is governed by the "Texas Engineering Practice Act". No warranty of any kind is made by TxDOT for any purpose whatsoever. TxDOT assumes no responsibility for the conversion of this standard to other formats or for incorrect results or damages resulting from its use.

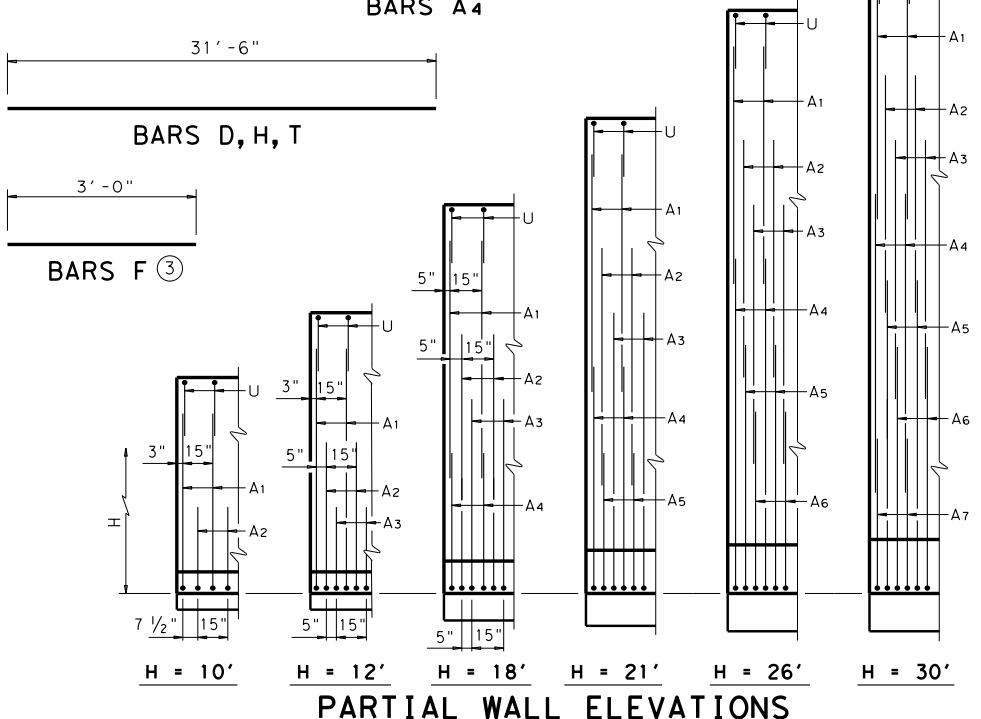
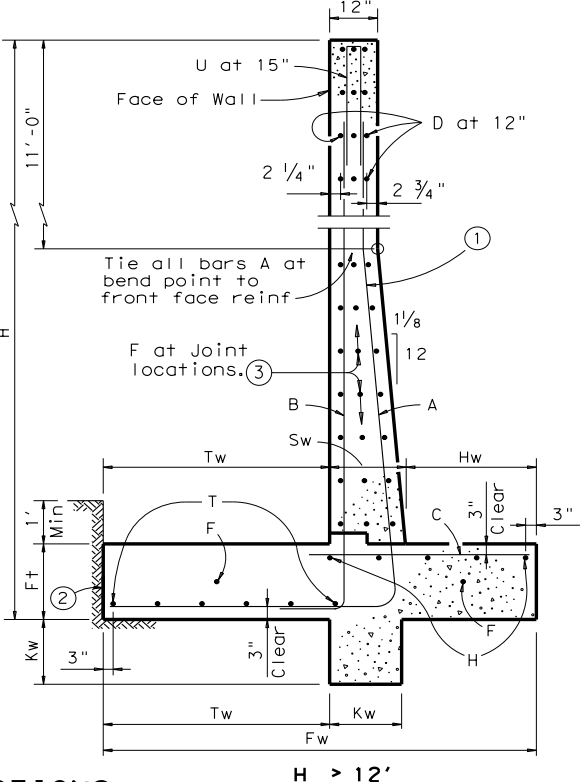
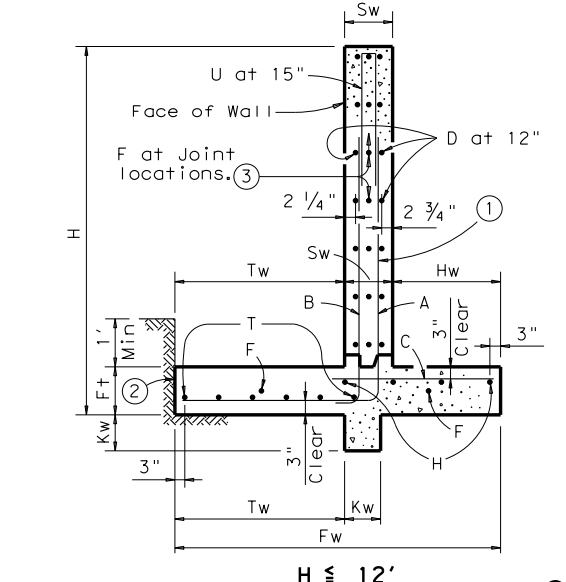


**H DEFINITION**

Wall Height "H" (Ft)	WALL DIMENSIONS							REINFORCING STEEL FOR ONE 32' PANEL (DESIGN B)																		QUANTITY FOR ONE 32' PANEL		Wall Height "H" (Ft)												
	WALL DIMENSIONS							A1 ~ 26 #5 at 15" c-c		A2 ~ 25 #6 at 15" c-c		A3 ~ 25 #7 at 15" c-c		A4 ~ 26 #8 at 15" c-c		A5 ~ 25 #9 at 15" c-c		A6 ~ 25 #11 at 15" c-c		A7 ~ 26 #11 at 15" c-c		B ~ 26 #5 at 15" c-c		C		D (#5) at 12" c-c			F (#5) at 12" c-c		H (#5) at 12" c-c		T (#5) at 12" c-c		U ~ 26 #5 at 15" c-c		CONC (CY)	REINF (LB)		
	Fw	Tw	Sw	Hw	Ft	Kw	T/SF	Lgth	Wt	Lgth	Wt	Lgth	Wt	Lgth	Wt	Lgth	Wt	Lgth	Wt	Lgth	Wt	Lgth	Wt	Size	No	Spa	Lgth		Wt	No	Wt	No	Wt	No	Wt	No	Wt	Lgth	Wt	
2	2'-8"	1'-4"	1'-0"	4"	1'-0"	9"	0.15																#4	26	15"	1'-10"	32	4	131	4	32	2	66	2	66	3'-4"	90	5.0	418	2
3	3'-6"	1'-9"	1'-0"	9"	1'-0"	9"	0.18																#4	26	15"	2'-3"	39	6	197	5	40	2	66	3	99	5'-4"	145	7.2	586	3
4	4'-3"	2'-2"	1'-0"	1'-1"	1'-0"	9"	0.21	4'-8"	127														#4	26	15"	2'-8"	46	8	263	6	48	3	99	3	99	7'-4"	199	9.3	976	4
5	5'-0"	2'-6"	1'-0"	1'-6"	1'-0"	9"	0.24	6'-0"	163														#4	26	15"	3'-0"	52	10	329	7	56	3	99	3	99	8'-4"	226	11.3	1146	5
6	5'-8"	2'-10"	1'-0"	1'-10"	1'-0"	9"	0.28	7'-4"	199														#4	26	15"	3'-4"	58	12	394	8	64	3	99	4	131	8'-4"	226	13.3	1321	6
7	6'-4"	3'-2"	1'-0"	2'-2"	1'-0"	9"	0.31	8'-8"	235														#4	26	15"	3'-8"	64	14	460	9	72	3	99	4	131	8'-4"	226	15.3	1463	7
8	7'-0"	3'-6"	1'-0"	2'-6"	1'-0"	9"	0.35	10'-0"	271	4'-2"	156												#4	26	15"	4'-0"	102	16	526	10	80	4	131	4	131	8'-4"	226	17.3	1825	8
9	7'-9"	3'-10"	1'-0"	2'-11"	1'-0"	9"	0.38	11'-4"	307	5'-4"	200												#4	26	15"	4'-4"	108	18	591	11	88	4	131	5	164	8'-4"	226	19.3	2185	9
10	8'-6"	4'-3"	1'-0"	3'-3"	1'-0"	9"	0.40	12'-9"	346	6'-7"	247												#6	38	10"	4'-9"	271	20	657	12	96	4	131	5	164	8'-4"	226	21.4	2396	10
11	9'-2"	4'-7"	1'-0"	3'-7"	1'-0"	9"	0.43	14'-1"	382	7'-8"	288	6'-9"	345										#7	38	10"	5'-1"	395	22	723	13	104	5	164	6	197	8'-4"	226	23.4	3103	11
12	9'-10"	4'-11"	1'-0"	3'-11"	1'-0"	1'-0"	0.46	15'-5"	418	8'-11"	335	8'-1"	413										#8	38	10"	5'-5"	550	24	789	14	112	5	164	6	197	8'-4"	226	25.9	3515	12
13	10'-6"	5'-3"	1'-1 1/8"	4'-1 7/8"	1'-0"	1'-0"	0.50	16'-10"	456	10'-1"	379	9'-6"	485										#8	38	10"	5'-9"	743	26	854	15	120	6	197	6	197	8'-4"	226	27.9	3996	13
14	11'-2"	5'-7"	1'-2"	4'-5"	1'-3"	1'-3"	0.55	11'-3"	307	11'-2"	419	10'-11"	558	8'-5"	584								#9	38	10"	6'-1"	786	28	920	16	128	6	197	7	230	8'-4"	226	33.7	4721	14
15	11'-10"	5'-11"	1'-3 1/8"	4'-7 7/8"	1'-3"	1'-3"	0.59	11'-3"	307	12'-5"	466	12'-4"	630	9'-10"	683								#9	38	10"	6'-5"	829	30	986	17	136	7	230	7	230	8'-4"	226	36.1	5116	15
16	12'-6"	6'-3"	1'-4"	4'-11"	1'-6"	1'-3"	0.64	11'-3"	307	13'-7"	510	13'-9"	703	11'-2"	775								#9	38	10"	6'-9"	872	30	986	17	136	7	230	8	263	8'-4"	226	41.9	5427	16
17	13'-3"	6'-7"	1'-5"	5'-3"	1'-6"	1'-6"	0.67	11'-3"	307	14'-9"	554	15'-2"	775	12'-8"	879								#9	38	10"	7'-2"	926	32	1051	18	144	7	230	8	263	8'-4"	226	45.7	5802	17
18	13'-10"	6'-11"	1'-6 1/4"	5'-4 3/4"	1'-6"	1'-6"	0.71	11'-3"	307	15'-11"	598	16'-7"	847	14'-1"	978								#10	38	10"	7'-5"	1213	34	1117	19	152	8	263	8	263	8'-4"	226	48.5	6439	18
19	14'-6"	7'-3"	1'-7"	5'-8"	1'-9"	1'-6"	0.76	11'-3"	307	11'-2"	419	18'-0"	920	15'-5"	1070	9'-7"	815						#10	38	10"	7'-9"	1267	36	1183	20	160	8	263	9	296	8'-4"	226	55.4	7428	19
20	15'-2"	7'-7"	1'-8 1/8"	5'-10 7/8"	1'-9"	1'-6"	0.80	11'-3"	307	11'-2"	419	19'-5"	992	16'-11"	1174	10'-11"	928						#10	38	10"	8'-1"	1322	38	1248	21	168	8	263	9	296	8'-4"	226	58.7	7872	20
21	16'-0"	8'-0"	1'-9 1/4"	6'-2 3/4"	1'-9"	1'-6"	0.81	11'-3"	307	11'-2"	419	20'-11"	1069	18'-5"	1278	12'-4"	1048						#8	76	5"	8'-6"	1725	40	1314	22	176	9	296	10	329	8'-4"	226	62.4	8743	21
22	16'-6"	8'-3"	1'-10 1/8"	6'-4 7/8"	2'-0"	1'-6"	0.88	11'-3"	307	11'-2"	419	22'-3"	1137	19'-9"	1371	13'-7"	1155						#8	76	5"	8'-9"	1776	42	1380	23	184	9	296	10	329	8'-4"	226	70.0	9163	22
23	17'-3"	8'-7"	1'-11 1/4"	6'-8 3/4"	2'-0"	1'-6"	0.91	11'-3"	307	11'-2"	419	12'-2"	622	21'-2"	1469	15'-0"	1275	6'-1"	808				#8	76	5"	9'-2"	1860	44	1446	24	192	9	296	10	329	8'-4"	226	74.0	9859	23
24	18'-0"	9'-0"	2'-0 1/8"	6'-11 7/8"	2'-3"	1'-6"	0.95	11'-3"	307	11'-2"	419	12'-2"	622	22'-8"	1574	16'-4"	1388	7'-1"	941				#8	76	5"	9'-6"	1928	46	1511	25	200	10	329	11	361	8'-4"	226	82.9	10443	24
25	18'-6"	9'-4"	2'-1 1/4"	7'-0 3/4"	2'-3"	1'-6"	0.99	11'-3"	307	11'-2"	419	12'-2"	622	24'-1"	1672	17'-8"	1502	8'-1"	1074				#9	76	5"	9'-10"	2541	48	1577	26	208	10	329	11	361	8'-4"	226	86.6	11502	25
26	19'-3"	9'-7"	2'-2 3/8"	7'-5 5/8"	2'-3"	1'-9"	1.03	11'-3"	307	11'-2"	419	12'-2"	622	25'-5"	1764	19'-0"	1615	9'-1"	1206				#9	76	5"	10'-1"	2606	50	1643	27	217	10	329	12	394	8'-4"	226	92.1	12040	26
27	20'-0"	10'-0"	2'-3 1/2"	7'-8 1/2"	2'-3"	1'-9"	1.05	11'-3"	307	11'-2"	419	12'-2"	622	27'-0"	1874	20'-5"	1735	10'-1"	1339				#9	76	5"	10'-5"	2692	52	1708	28	225	11	361	12	394	8'-4"	226	96.8	12621	27
28	20'-6"	10'-4"	2'-4 5/8"	7'-9 3/8"	2'-3"	1'-9"	1.09	11'-3"	307	11'-2"	419	12'-2"	622	14'-4"	995	21'-9"	1849	11'-1"	1472	17'-0"	2348		#10	76	5"	10'-9"	3516	54	1774	29	233	11	361	12	394	8'-4"	226	100.9	15261	28
29	21'-3"	10'-7"	2'-5 3/4"	8'-2 1/4"	2'-3"	1'-9"	1.12	11'-3"	307	11'-2"	419	12'-2"	622	14'-4"	995	23'-0"	1955	12'-1"	1605	18'-4"	2533		#10	76	5"	11'-2"	3652	56	1840	30	241	11	361	13	427	8'-4"	226	105.8	15955	29
30	22'-0"	11'-0"	2'-6 1/2"	8'-5 1/2"	2'-6"	1'-9"	1.16	11'-3"	307	11'-2"	419	12'-2"	622	14'-4"	995	24'-5"	2075	13'-1"	1738	19'-10"	2740		#10	76	5"	11'-6"	3761	56	1840	30	241	12	394	13	427	8'-4"	226	116.5	16584	30



- Place vertical bars inside of horizontal bars (Typ both faces).
- Place footing toe against undisturbed soil.
- See standard RW 2 for size.



**GENERAL NOTES:**

- All concrete to be Class "C".
- All reinforcing steel to be Grade 60.
- For notes and details not shown on this sheet see sheet RW2.
- Quantities are based on "H" being average height of panel.
- Retaining Walls are designed to be coded as follows on Retaining Wall Layout Sheets.
- Panel Length ~ 32' is standard; 28' requires special quantities
- Average Height "H" of panel
- Design - A = no surcharge or slope above wall
- B = slopes up to 4:1
- C = traffic surcharge and/or slopes up to 2.5:1
- Footing pressure design ~ L = low, H = high

**Texas Department of Transportation**  
 Bridge Division Standard

## RETAINING WALLS

### RW 1(L)B

FILE: rwstd06.dgn    DN: TxDOT    CK: TxDOT    DW: GHO    CK: MPM  
 ©TxDOT    March 2010    CONT    SECT    JOB    HIGHWAY  
 REVISIONS  
 DIST    COUNTY    SHEET NO.

DATE: FILE: