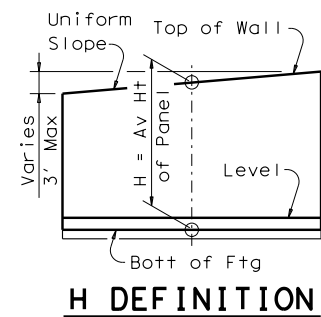
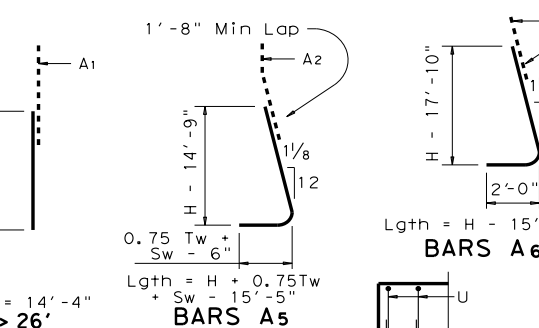
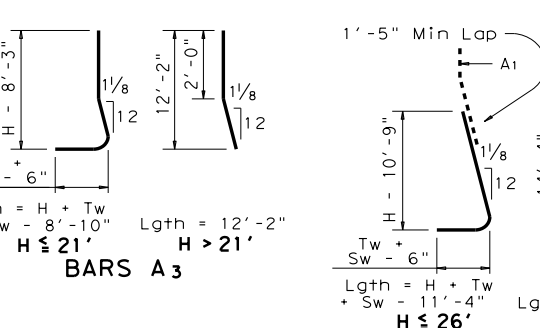
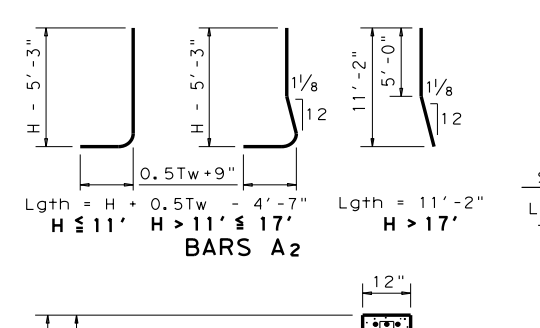
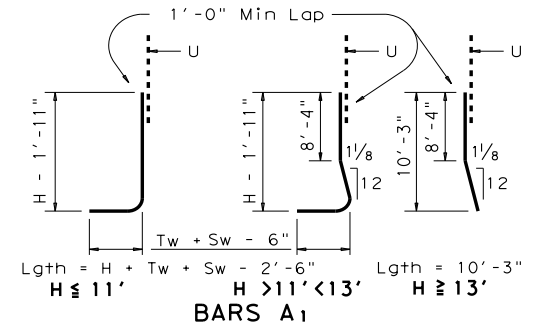


DISCLAIMER: The use of this standard is governed by the "Texas Engineering Practice Act". No warranty of any kind is made by TxDOT for any purpose whatsoever. TxDOT assumes no responsibility for the conversion of this standard to other formats or for incorrect results or damages resulting from its use.

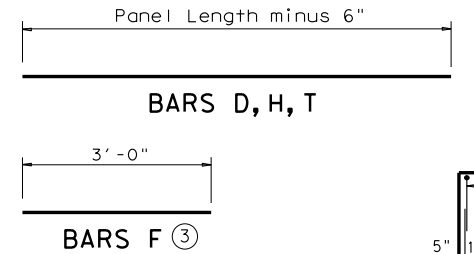
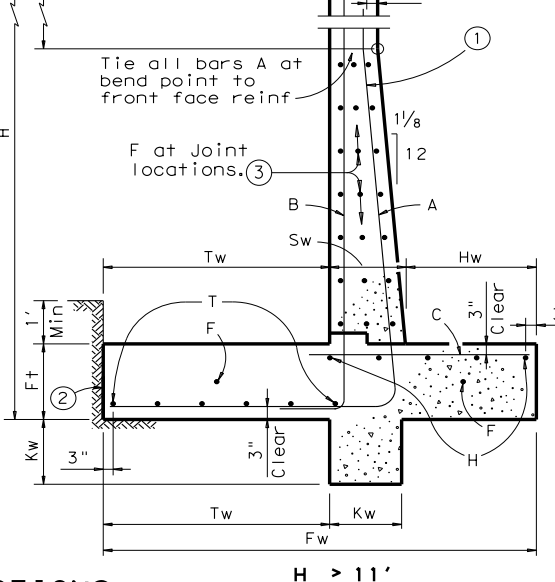
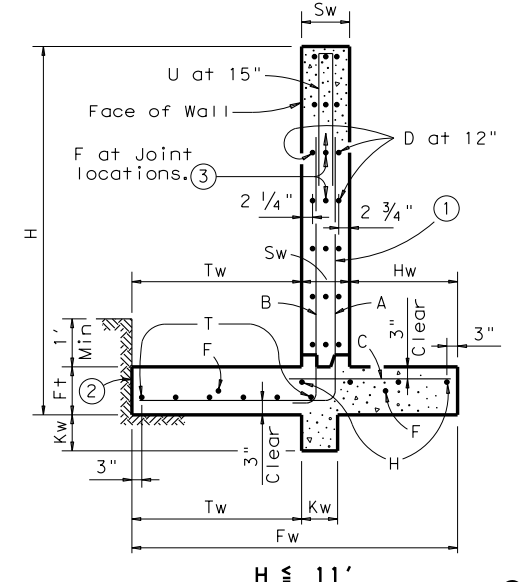


H DEFINITION

Wall Height "H"	PROPERTIES								REINFORCING STEEL FOR ONE 32' PANEL (DESIGN C)																				QUANTITY FOR ONE 32' PANEL		Wall Height "H"											
	WALL DIMENSIONS								Max Soil Press		A1 ~ 26 #5 at 15" c-c		A2 ~ 25 #6 at 15" c-c		A3 ~ 25 #7 at 15" c-c		A4 ~ 26 #8 at 15" c-c		A5 ~ 25 #9 at 15" c-c		A6 ~ 25 #11 at 15" c-c		A7 ~ 26 #11 at 15" c-c		B ~ 26 #5 at 15" c-c		C		D (#5) at 12" c-c			F (#5) at 12" c-c		H (#5) at 12" c-c		T (#5) at 12" c-c		U ~ 26 #5 at 15" c-c		CONC (CY)	REINF (LB)	
	(Ft)	Fw	Tw	Sw	Hw	Ft	Kw	T/SF	Lgth	Wt	Lgth	Wt	Lgth	Wt	Lgth	Wt	Lgth	Wt	Lgth	Wt	Lgth	Wt	Lgth	Wt	Size	No	Spa	Lgth	Wt	No		Wt	No	Wt	No	Wt	No	Wt	Lgth	Wt		
2	3'-6"	1'-9"	1'-0"	9"	1'-0"	9"	0.14																		#4	26	15"	2'-3"	39	4	131	4	32	2	66	3	99	3'-4"	90	6.0	458	2
3	4'-3"	2'-2"	1'-0"	1'-1"	1'-0"	9"	0.17																		#4	26	15"	2'-8"	46	6	197	5	40	3	99	3	99	5'-4"	145	8.1	626	3
4	5'-0"	2'-6"	1'-0"	1'-6"	1'-0"	9"	0.20	5'-0"	136																#4	26	15"	3'-0"	52	8	263	6	48	3	99	3	99	7'-4"	199	10.1	991	4
5	5'-8"	2'-10"	1'-0"	1'-10"	1'-0"	9"	0.24	6'-4"	172																#4	26	15"	3'-4"	58	10	329	7	56	3	99	4	131	8'-4"	226	12.1	1193	5
6	6'-4"	3'-2"	1'-0"	2'-2"	1'-0"	9"	0.28	7'-8"	208																#4	26	15"	3'-8"	64	12	394	8	64	3	99	4	131	8'-4"	226	14.1	1336	6
7	7'-0"	3'-6"	1'-0"	2'-6"	1'-0"	9"	0.32	9'-0"	244	4'-2"	156														#4	38	10"	4'-0"	102	14	460	9	72	4	131	4	131	8'-4"	226	16.1	1698	7
8	7'-9"	3'-10"	1'-0"	2'-11"	1'-0"	9"	0.35	10'-4"	280	5'-4"	200														#6	38	10"	4'-4"	247	16	526	10	80	4	131	5	164	8'-4"	226	18.1	2056	8
9	8'-6"	4'-3"	1'-0"	3'-3"	1'-0"	9"	0.37	11'-9"	319	6'-7"	247														#6	38	10"	4'-9"	271	18	591	11	88	4	131	5	164	8'-4"	226	20.2	2268	9
10	9'-2"	4'-7"	1'-0"	3'-7"	1'-0"	9"	0.41	13'-1"	355	7'-8"	288	6'-9"	345												#7	38	10"	5'-1"	395	20	657	12	96	5	164	6	197	8'-4"	226	22.2	2981	10
11	9'-10"	4'-11"	1'-0"	3'-11"	1'-0"	1'-0"	0.44	14'-5"	391	8'-11"	335	8'-1"	413												#8	38	10"	5'-5"	550	22	723	13	104	5	164	6	197	8'-4"	226	24.7	3382	11
12	10'-6"	5'-3"	1'-1 1/8"	4'-1 7/8"	1'-0"	1'-0"	0.45	15'-10"	429	10'-1"	379	9'-6"	485												#9	38	10"	5'-9"	743	24	789	14	112	6	197	6	197	8'-4"	226	26.7	3868	12
13	11'-3"	5'-7"	1'-2"	4'-5"	1'-3"	1'-3"	0.54	10'-3"	278	11'-2"	419	10'-11"	558	8'-5"	584										#9	38	10"	6'-1"	786	26	854	15	120	6	197	7	230	8'-4"	226	32.5	4591	13
14	11'-10"	5'-11"	1'-3 1/8"	4'-7 7/8"	1'-3"	1'-3"	0.57	10'-3"	278	12'-5"	466	12'-4"	630	9'-10"	683										#9	38	10"	6'-5"	829	28	920	16	128	7	230	7	230	8'-4"	226	34.9	4986	14
15	12'-6"	6'-3"	1'-4"	4'-11"	1'-6"	1'-3"	0.63	10'-3"	278	13'-7"	510	13'-9"	703	11'-2"	775										#9	38	10"	6'-9"	872	28	920	16	128	7	230	8	263	8'-4"	226	40.8	5298	15
16	13'-3"	6'-7"	1'-5"	5'-3"	1'-6"	1'-6"	0.66	10'-3"	278	14'-9"	554	15'-2"	775	12'-8"	879										#9	38	10"	7'-2"	926	30	986	17	136	7	230	8	263	8'-4"	226	44.5	5672	16
17	13'-10"	6'-11"	1'-6 1/4"	5'-4 3/4"	1'-6"	1'-6"	0.70	10'-3"	278	15'-11"	598	16'-7"	847	14'-1"	978										#10	38	10"	7'-5"	1213	32	1051	18	144	8	263	8	263	8'-4"	226	47.3	6308	17
18	14'-6"	7'-3"	1'-7"	5'-8"	1'-9"	1'-6"	0.76	10'-3"	278	11'-2"	419	18'-0"	920	15'-5"	1070	9'-7"	815								#10	38	10"	7'-9"	1267	34	1117	19	152	8	263	9	296	8'-4"	226	54.2	7298	18
19	15'-2"	7'-7"	1'-8 1/8"	5'-10 7/8"	1'-9"	1'-6"	0.79	10'-3"	278	11'-2"	419	19'-5"	992	16'-11"	1174	10'-11"	928								#10	38	10"	8'-1"	1322	36	1183	20	160	8	263	9	296	8'-4"	226	57.5	7743	19
20	16'-0"	8'-0"	1'-9 1/4"	6'-2 3/4"	1'-9"	1'-6"	0.80	10'-3"	278	11'-2"	419	20'-11"	1069	18'-5"	1278	12'-4"	1048								#10	38	10"	8'-6"	1725	38	1248	21	168	9	296	10	329	8'-4"	226	61.3	8613	20
21	16'-6"	8'-3"	1'-10 1/8"	6'-4 7/8"	2'-0"	1'-6"	0.88	10'-3"	278	11'-2"	419	22'-3"	1137	19'-9"	1371	13'-7"	1155								#8	76	5"	8'-9"	1776	40	1314	22	176	9	296	10	329	8'-4"	226	68.8	9033	21
22	17'-3"	8'-7"	1'-11 1/4"	6'-8 3/4"	2'-0"	1'-6"	0.91	10'-3"	278	11'-2"	419	12'-2"	622	21'-2"	1469	15'-0"	1275	6'-1"	808						#8	76	5"	9'-2"	1860	42	1380	23	184	9	296	10	329	8'-4"	226	72.8	9729	22
23	18'-0"	9'-0"	2'-0 1/8"	6'-11 7/8"	2'-3"	1'-6"	0.95	10'-3"	278	11'-2"	419	12'-2"	622	22'-8"	1574	16'-4"	1388	7'-1"	941						#8	76	5"	9'-6"	1928	44	1446	24	192	10	329	11	361	8'-4"	226	81.7	10314	23
24	18'-6"	9'-4"	2'-1 1/4"	7'-0 3/4"	2'-3"	1'-6"	0.99	10'-3"	278	11'-2"	419	12'-2"	622	24'-1"	1672	17'-8"	1502	8'-1"	1074						#7	76	5"	9'-10"	2541	46	1511	25	200	10	329	11	361	8'-4"	226	85.4	11372	24
25	19'-3"	9'-7"	2'-2 3/8"	7'-5 5/8"	2'-3"	1'-9"	1.03	10'-3"	278	11'-2"	419	12'-2"	622	25'-5"	1764	19'-0"	1615	9'-1"	1206						#7	76	5"	10'-1"	2606	48	1577	26	208	10	329	12	394	8'-4"	226	91.0	11909	25
26	20'-0"	10'-0"	2'-3 1/2"	7'-8 1/2"	2'-3"	1'-9"	1.05	10'-3"	278	11'-2"	419	12'-2"	622	27'-0"	1874	20'-5"	1735	10'-1"	1339						#7	76	5"	10'-5"	2692	50	1643	27	217	11	361	12	394	8'-4"	226	95.6	12491	26
27	20'-6"	10'-4"	2'-4 5/8"	7'-9 3/8"	2'-3"	1'-9"	1.09	10'-3"	278	11'-2"	419	12'-2"	622	14'-4"	995	21'-9"	1849	11'-1"	1472	17'-0"	2348				#7	76	5"	10'-9"	3516	52	1708	28	225	11	361	12	394	8'-4"	226	99.7	15132	27
28	21'-3"	10'-7"	2'-5 3/4"	8'-2 1/4"	2'-3"	1'-9"	1.13	10'-3"	278	11'-2"	419	12'-2"	622	14'-4"	995	23'-0"	1955	12'-1"	1605	18'-4"	2533				#10	76	5"	11'-2"	3652	54	1774	29	233	11	361	13	427	8'-4"	226	104.6	15825	28
29	22'-0"	11'-0"	2'-6 1/2"	8'-5 1/2"	2'-6"	1'-9"	1.17	10'-3"	278	11'-2"	419	12'-2"	622	14'-4"	995	24'-5"	2075	13'-1"	1738	19'-10"	2740				#10	76	5"	11'-6"	3761	54	1774	29	233	12	394	13	427	8'-4"	226	115.3	16454	29

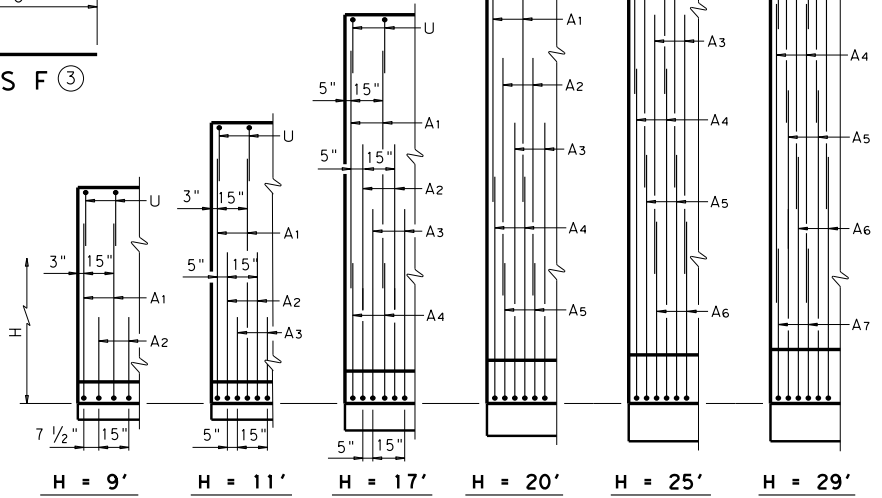


- Place vertical bars inside of horizontal bars (Typ both faces).
- Place footing toe against undisturbed soil.
- See standard RW 2 for size.



BARS D, H, T

BARS F



PARTIAL WALL ELEVATIONS

(Showing vertical reinforcing pattern in back face)

GENERAL NOTES:
 All concrete to be Class "C".
 All reinforcing steel to be Grade 60.
 For notes and details not shown on this sheet see sheet RW2.
 Quantities are based on "H" being average height of panel.
 Retaining Walls are designed to be coded as follows on Retaining Wall Layout Sheets.
 HC - 21 - 28
 LA - 28 - 32
 Panel Length ~ 32' is standard; 28' requires special quantities
 Average Height "H" of panel
 Design - A = no surcharge or slope above wall
 B = slopes up to 4:1
 C = traffic surcharge and/or slopes up to 2.5:1
 Footing pressure design ~ L = low, H = high



RETAINING WALLS

RW 1(L)C

FILE: rwstd07.dgn	DN: TxDOT	CK: TxDOT	DW: GH0	CK: MPM
©TxDOT March 2010	CONT	SECT	JOB	HIGHWAY
REVISIONS	DIST	COUNTY	SHEET NO.	

DATE: FILE: