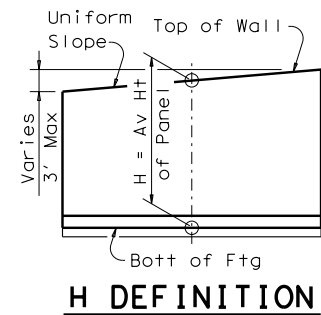
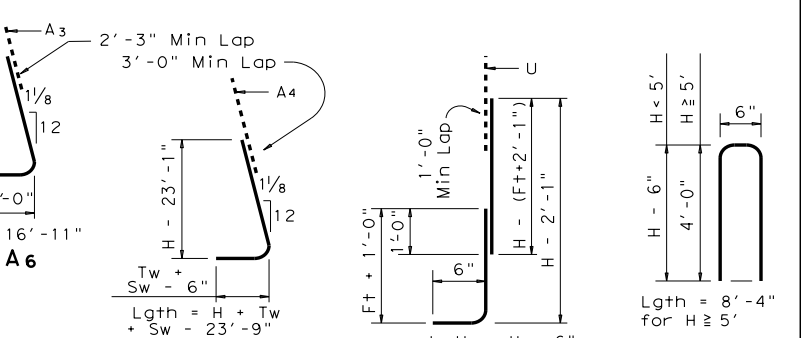
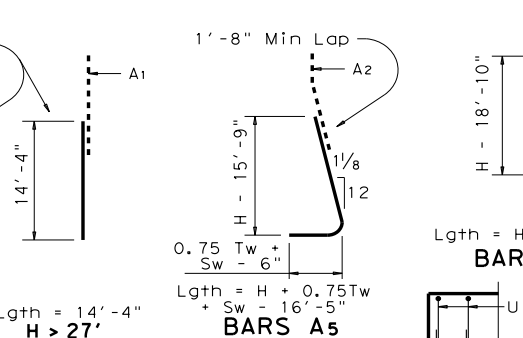
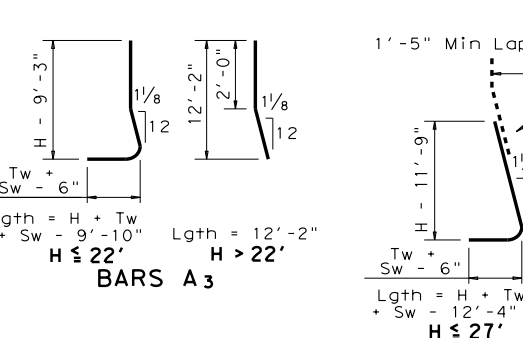
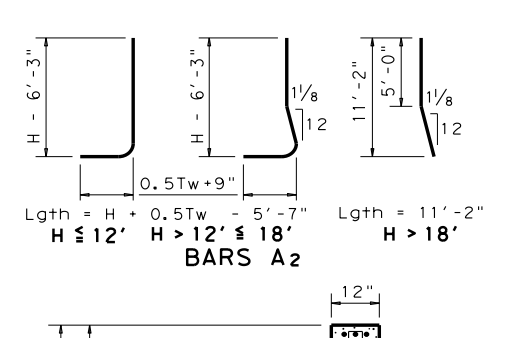
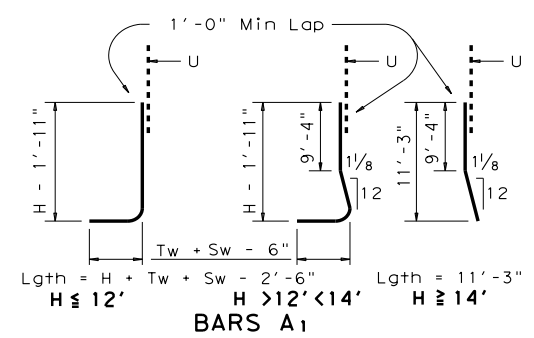


DISCLAIMER: The use of this standard is governed by the "Texas Engineering Practice Act". No warranty of any kind is made by TxDOT for any purpose whatsoever. TxDOT assumes no responsibility for the conversion of this standard to other formats or for incorrect results or damages resulting from its use.

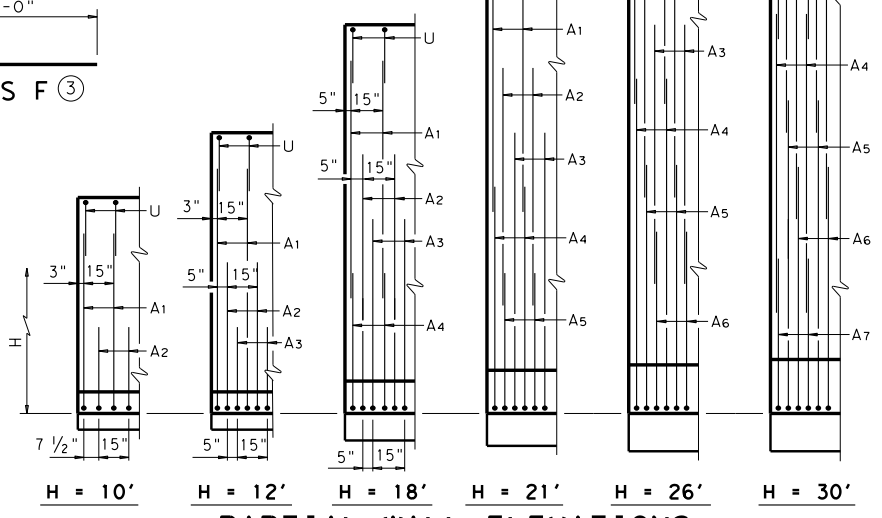
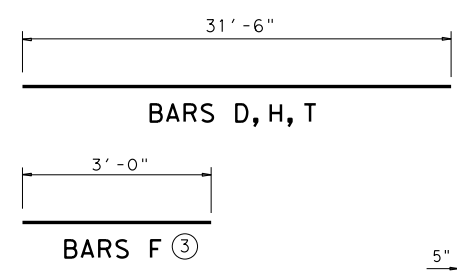
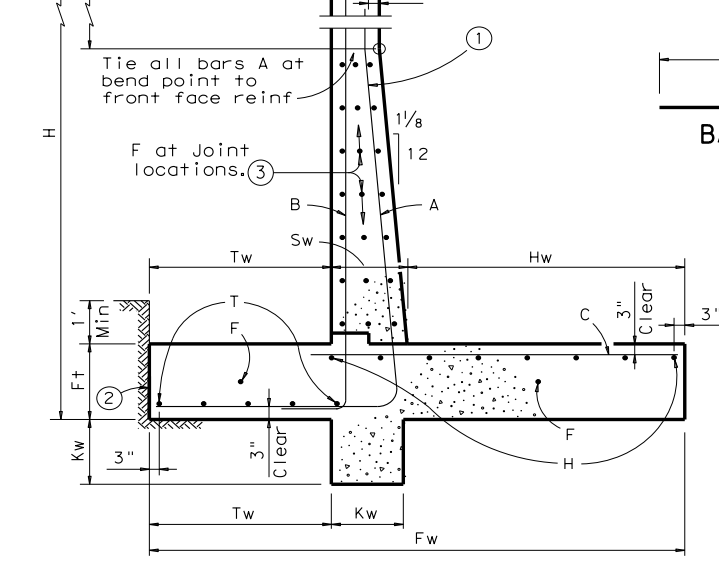
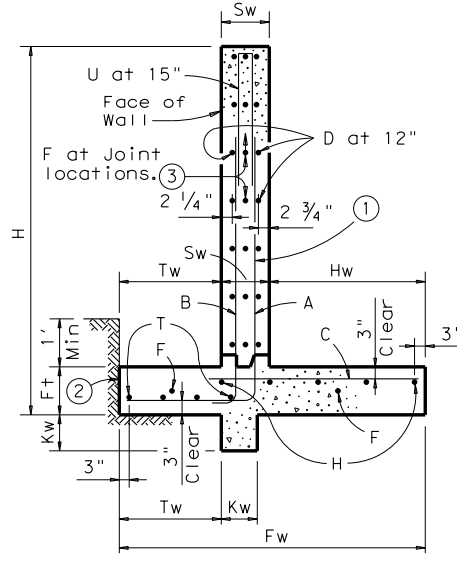


H DEFINITION

Wall Height "H"	PROPERTIES								REINFORCING STEEL FOR ONE 32' PANEL (DESIGN B)																						QUANTITY FOR ONE 32' PANEL		Wall Height "H"										
	WALL DIMENSIONS							Max Soil Press	A1 ~ 26 #5 at 15" c-c		A2 ~ 25 #6 at 15" c-c		A3 ~ 25 #7 at 15" c-c		A4 ~ 26 #8 at 15" c-c		A5 ~ 25 #9 at 15" c-c		A6 ~ 25 #11 at 15" c-c		A7 ~ 26 #11 at 15" c-c		B ~ 26 #5 at 15" c-c		C		D (#5) at 12" c-c		Dowel F at 12" c-c		H (#5) at 12" c-c			T (#5) at 12" c-c		U ~ 26 #5 at 15" c-c		CONC (CY)	REINF (LB)				
	Fw	Tw	Sw	Hw	Ft	Kw	T/SF		Lgth	Wt	Lgth	Wt	Lgth	Wt	Lgth	Wt	Lgth	Wt	Lgth	Wt	Lgth	Wt	Lgth	Wt	Size	No	Spa	Lgth	Wt	No	Wt	No		Wt	No	Wt	No			Wt	Lgth	Wt	
2	2'-0"	8"	1'-0"	4"	1'-0"	9"	0.26																	#4	26	15"	1'-10"	32	4	131	4	32	2	66	2	66	3'-4"	90	4.2	418	2		
3	2'-7"	11"	1'-0"	8"	1'-0"	9"	0.34																	#4	26	15"	2'-3"	39	6	197	5	40	2	66	2	66	5'-4"	145	6.1	553	3		
4	3'-2"	1'-1"	1'-0"	1'-1"	1'-0"	9"	0.42	3'-7"	97															#4	26	15"	2'-8"	46	8	263	6	48	3	99	2	66	7'-4"	199	8.0	913	4		
5	3'-9"	1'-3"	1'-0"	1'-6"	1'-0"	9"	0.50	4'-9"	129															#4	26	15"	3'-0"	52	10	329	7	56	3	99	2	66	8'-4"	226	9.9	1079	5		
6	4'-3"	1'-6"	1'-0"	1'-9"	1'-0"	9"	0.59	6'-0"	163															#4	26	15"	3'-4"	58	12	394	8	64	3	99	3	99	3	99	8'-4"	226	11.6	1253	6
7	4'-9"	1'-7"	1'-0"	2'-2"	1'-0"	9"	0.68	7'-1"	192															#4	26	15"	3'-8"	64	14	460	9	72	3	99	3	99	8'-4"	226	13.4	1388	7		
8	5'-3"	1'-9"	1'-0"	2'-6"	1'-0"	9"	0.77	8'-3"	224	3'-4"	125													#4	26	15"	4'-0"	70	16	526	10	80	4	131	3	99	8'-4"	226	15.2	1715	8		
9	5'-10"	2'-0"	1'-0"	2'-10"	1'-0"	9"	0.82	9'-6"	258	4'-5"	166													#4	26	15"	4'-4"	76	18	591	11	88	4	131	3	99	8'-4"	226	17.1	2037	9		
10	6'-4"	2'-2"	1'-0"	3'-2"	1'-0"	9"	0.90	10'-8"	289	5'-6"	207													#6	38	10"	4'-9"	271	20	657	12	96	4	131	4	131	8'-4"	226	18.8	2266	10		
11	6'-10"	2'-4"	1'-0"	3'-6"	1'-0"	9"	0.99	11'-10"	321	6'-7"	247	4'-6"	230											#7	38	10"	5'-1"	395	22	723	13	104	5	164	4	131	8'-4"	226	20.6	2820	11		
12	7'-4"	2'-6"	1'-0"	3'-10"	1'-0"	1'-0"	1.08	13'-0"	353	7'-8"	288	5'-8"	290											#8	38	10"	5'-5"	550	24	789	14	112	5	164	4	131	8'-4"	226	22.9	3214	12		
13	7'-10"	2'-7"	1'-1 1/8"	4'-1 1/8"	1'-0"	1'-0"	1.18	14'-2"	384	8'-9"	329	6'-10"	349											#8	38	10"	5'-9"	743	26	854	15	120	6	197	4	131	8'-4"	226	24.7	3672	13		
14	8'-4"	2'-9"	1'-2"	4'-5"	1'-3"	1'-3"	1.29	11'-3"	305	9'-10"	369	8'-1"	413	5'-7"	388									#9	38	10"	6'-1"	786	28	920	16	128	6	197	4	131	8'-4"	226	29.5	4229	14		
15	8'-10"	3'-0"	1'-3 1/8"	4'-6 1/8"	1'-3"	1'-3"	1.36	11'-3"	305	10'-11"	410	9'-5"	481	6'-11"	480									#9	38	10"	6'-5"	829	30	986	17	136	7	230	5	164	8'-4"	226	31.7	4640	15		
16	9'-4"	3'-2"	1'-4"	4'-10"	1'-6"	1'-3"	1.46	11'-3"	305	12'-0"	451	10'-8"	545	8'-2"	567									#9	38	10"	6'-9"	872	30	986	17	136	7	230	5	164	8'-4"	226	36.3	4901	16		
17	10'-0"	3'-4"	1'-5"	5'-3"	1'-6"	1'-6"	1.52	11'-3"	305	13'-1"	491	11'-11"	609	9'-5"	654									#9	38	10"	7'-2"	926	32	1051	18	144	7	230	5	164	8'-4"	226	39.9	5247	17		
18	10'-4"	3'-6"	1'-6 1/4"	5'-3 3/4"	1'-6"	1'-6"	1.64	11'-3"	305	14'-2"	532	13'-2"	673	10'-8"	740									#10	38	10"	7'-5"	1213	34	1117	19	152	8	263	5	164	8'-4"	226	42.3	5860	18		
19	10'-11"	3'-8"	1'-7"	5'-8"	1'-9"	1'-6"	1.72	11'-3"	305	11'-2"	419	14'-5"	737	11'-11"	827	6'-11"	588							#10	38	10"	7'-9"	1267	36	1183	20	160	8	263	5	164	8'-4"	226	47.9	6641	19		
20	11'-4"	3'-10"	1'-8 1/8"	5'-9 1/8"	1'-9"	1'-6"	1.82	11'-3"	305	11'-2"	419	15'-8"	801	13'-2"	914	8'-2"	694							#10	38	10"	8'-1"	1322	38	1248	21	168	8	263	5	164	8'-4"	226	50.7	7053	20		
21	12'-0"	4'-0"	1'-9 1/4"	6'-2 3/4"	1'-9"	1'-6"	1.87	11'-3"	305	11'-2"	419	16'-11"	864	14'-5"	1001	9'-4"	793							#8	76	5"	8'-6"	1725	40	1314	22	176	9	296	6	197	8'-4"	226	54.2	7872	21		
22	12'-4"	4'-2"	1'-10 1/8"	6'-3 7/8"	2'-0"	1'-6"	2.01	11'-3"	305	11'-2"	419	18'-2"	928	15'-8"	1088	10'-7"	890							#8	76	5"	8'-9"	1776	42	1380	23	184	9	296	6	197	8'-4"	226	60.1	8272	22		
23	13'-0"	4'-4"	1'-11 1/4"	6'-8 3/4"	2'-0"	1'-6"	2.06	11'-3"	305	11'-2"	419	12'-2"	622	16'-11"	1174	11'-9"	999	6'-1"	808					#8	76	5"	9'-2"	1860	44	1446	24	192	9	296	6	197	8'-4"	226	63.9	9154	23		
24	13'-6"	4'-6"	2'-0 1/8"	6'-11 1/8"	2'-3"	1'-6"	2.16	11'-3"	305	11'-2"	419	12'-2"	622	18'-2"	1261	13'-0"	1105	7'-1"	941					#8	76	5"	9'-6"	1928	46	1511	25	200	10	329	6	197	8'-4"	226	70.9	9681	24		
25	14'-0"	4'-8"	2'-1 1/4"	7'-2 3/4"	2'-3"	1'-6"	2.24	11'-3"	305	11'-2"	419	12'-2"	622	19'-5"	1348	14'-2"	1204	8'-1"	1074					#9	76	5"	9'-10"	2541	48	1577	26	208	10	329	6	197	8'-4"	226	74.6	10714	25		
26	14'-6"	4'-10"	2'-2 3/8"	7'-5 5/8"	2'-3"	1'-9"	2.33	11'-3"	305	11'-2"	419	12'-2"	622	20'-8"	1435	15'-4"	1303	9'-1"	1206					#9	76	5"	10'-1"	2606	50	1643	27	217	10	329	7	230	8'-4"	226	79.5	11233	26		
27	15'-0"	5'-0"	2'-3 1/2"	7'-8 1/2"	2'-3"	1'-9"	2.41	11'-3"	305	11'-2"	419	12'-2"	622	22'-0"	1527	16'-8"	1793	10'-1"	1339					#9	76	5"	10'-5"	2692	52	1708	28	225	11	361	7	230	8'-4"	226	83.5	12166	27		
28	15'-6"	5'-2"	2'-4 5/8"	7'-11 3/8"	2'-3"	1'-9"	2.50	11'-3"	305	11'-2"	419	12'-2"	622	14'-4"	995	17'-10"	1516	11'-1"	1472	11'-10"	1635			#10	76	5"	10'-9"	3516	54	1774	29	233	11	361	7	230	8'-4"	226	87.6	14049	28		
29	16'-0"	5'-4"	2'-5 3/4"	8'-2 1/4"	2'-3"	1'-9"	2.58	11'-3"	305	11'-2"	419	12'-2"	622	14'-4"	995	19'-1"	1622	12'-1"	1605	13'-1"	1807			#10	76	5"	11'-2"	3652	56	1840	30	241	11	361	8	263	8'-4"	226	91.8	14730	29		
30	16'-6"	5'-6"	2'-6 1/2"	8'-5 1/2"	2'-6"	1'-9"	2.68	11'-3"	305	11'-2"	419	12'-2"	622	14'-4"	995	20'-3"	2690	13'-1"	1738	14'-4"	1980			#10	76	5"	11'-6"	3761	56	1840	30	241	12	394	8	263	8'-4"	226	100.2	16273	30		



- 1 Place vertical bars inside of horizontal bars (Typ both faces).
- 2 Place footing toe against undisturbed soil.
- 3 See standard RW 2 for size.



PARTIAL WALL ELEVATIONS (Showing vertical reinforcing pattern in back face)

GENERAL NOTES:
 All concrete to be Class "C".
 All reinforcing steel to be Grade 60.
 For notes and details not shown on this sheet see sheet RW2.
 Quantities are based on "H" being average height of panel.
 Retaining Walls are designed to be coded as follows on Retaining Wall Layout Sheets.
 HC - 21 - 28
 LA - 28 - 32
 Panel Length ~ 32' is standard; 28' requires special quantities.
 Average Height "H" of panel
 Design - A = no surcharge or slope above wall
 B = slopes up to 4:1
 C = traffic surcharge and/or slopes up to 2.5:1
 Footing pressure design ~ L = low, H = high

Texas Department of Transportation
 Bridge Division Standard

RETAINING WALLS

RW 1(H)B

FILE: rwstd09.dgn	DN: TxDOT	CK: TxDOT	DW: GH0	CK: MPM
TxDOT	MARCH 2010	CON	SECT	JOB
REVISONS				HIGHWAY
				SHEET NO.

DATE: FILE: