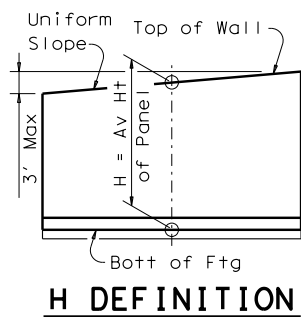
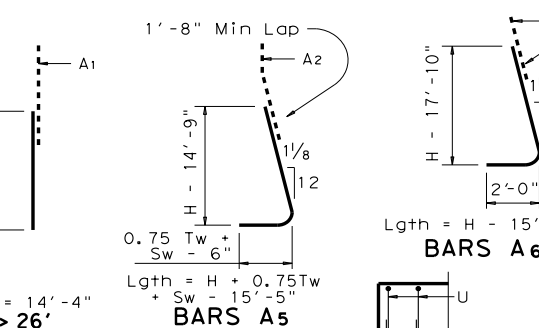
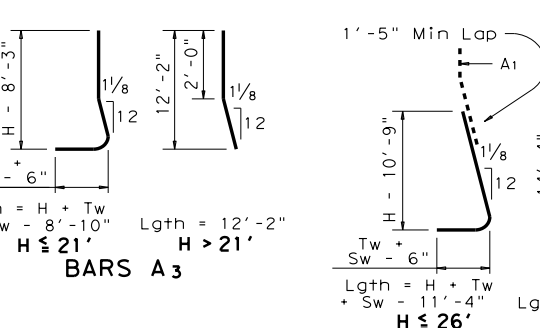
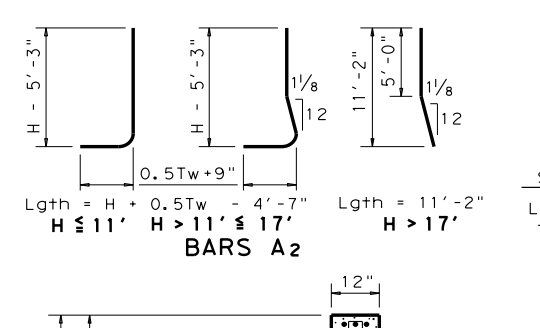
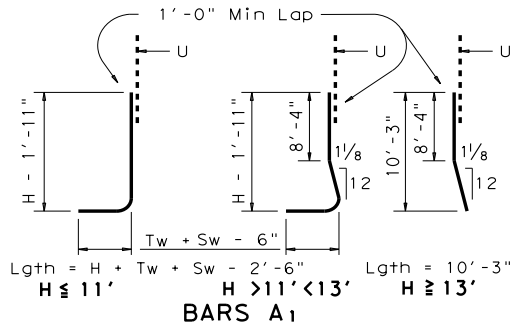


DISCLAIMER: The use of this standard is governed by the "Texas Engineering Practice Act". No warranty of any kind is made by TxDOT for any purpose whatsoever. TxDOT assumes no responsibility for the conversion of this standard to other formats or for incorrect results or damages resulting from its use.

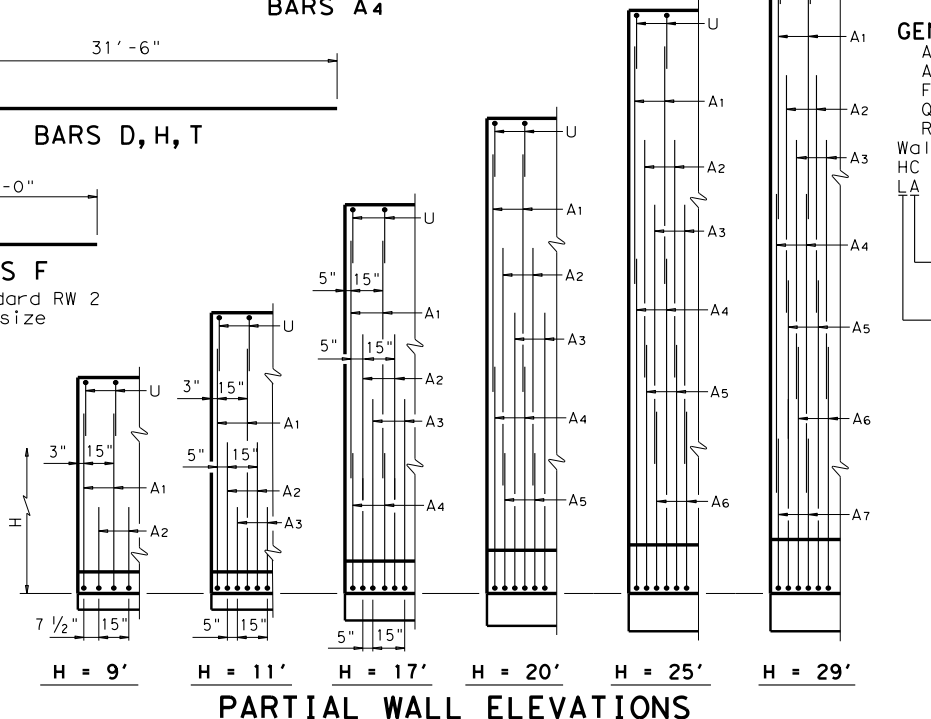
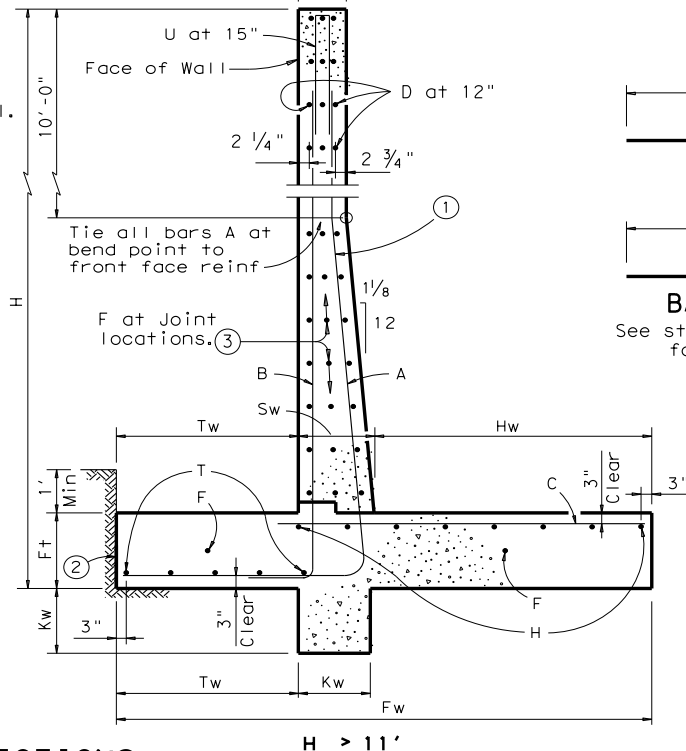
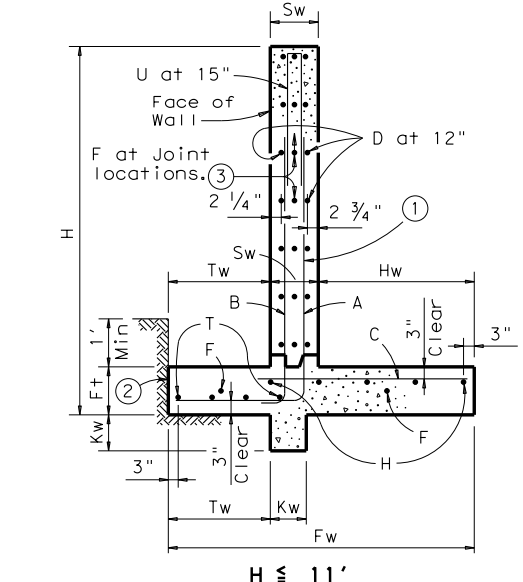


**H DEFINITION**

Wall Height "H"	PROPERTIES								REINFORCING STEEL FOR ONE 32' PANEL (DESIGN C)																				QUANTITY FOR ONE 32' PANEL		Wall Height "H"									
	WALL DIMENSIONS								Max Soil Press	A1 ~ 26 #5 at 15" c-c		A2 ~ 25 #6 at 15" c-c		A3 ~ 25 #7 at 15" c-c		A4 ~ 26 #8 at 15" c-c		A5 ~ 25 #9 at 15" c-c		A6 ~ 25 #11 at 15" c-c		A7 ~ 26 #11 at 15" c-c		B ~ 26 #5 at 15" c-c		C		D (#5) at 12" c-c		F (#5) at 12" c-c		H (#5) at 12" c-c		T (#5) at 12" c-c		U ~ 26 #5 at 15" c-c		CONC (CY)	REINF (LB)	
	(Ft)	Fw	Tw	Sw	Hw	Ft	Kw	T/SF		Lgth	Wt	Lgth	Wt	Lgth	Wt	Lgth	Wt	Lgth	Wt	Lgth	Wt	Lgth	Wt	Size	No	Spa	Lgth	Wt	No	Wt		No	Wt	No	Wt	No	Wt			Lgth
2	2'-7"	11"	1'-0"	8"	1'-0"	9"	0.22																#4	26	15"	2'-3"	39	4	131	4	32	2	66	2	66	3'-4"	90	4.9	425	2
3	3'-2"	1'-1"	1'-0"	1'-1"	1'-0"	9"	0.31																#4	26	15"	2'-8"	46	6	197	5	40	3	99	2	66	5'-4"	145	6.8	593	3
4	3'-9"	1'-3"	1'-0"	1'-6"	1'-0"	9"	0.40	3'-9"	102														#4	26	15"	3'-0"	52	8	263	6	48	3	99	2	66	7'-4"	199	8.7	924	4
5	4'-3"	1'-6"	1'-0"	1'-9"	1'-0"	9"	0.50	5'-0"	136														#4	26	15"	3'-4"	58	10	329	7	56	3	99	3	99	8'-4"	226	10.4	1125	5
6	4'-9"	1'-7"	1'-0"	2'-2"	1'-0"	9"	0.59	6'-1"	165														#4	26	15"	3'-8"	64	12	394	8	64	3	99	3	99	8'-4"	226	12.2	1261	6
7	5'-3"	1'-9"	1'-0"	2'-6"	1'-0"	9"	0.68	7'-3"	197	3'-4"	125												#4	38	10"	4'-0"	102	14	460	9	72	4	131	3	99	8'-4"	226	14.0	1588	7
8	5'-10"	2'-0"	1'-0"	2'-10"	1'-0"	9"	0.74	8'-6"	231	4'-5"	166												#6	38	10"	4'-4"	247	16	526	10	80	4	131	3	99	8'-4"	226	15.9	1908	8
9	6'-4"	2'-2"	1'-0"	3'-2"	1'-0"	9"	0.83	9'-8"	262	5'-6"	207												#6	38	10"	4'-9"	271	18	591	11	88	4	131	4	131	8'-4"	226	17.7	2138	9
10	6'-10"	2'-4"	1'-0"	3'-6"	1'-0"	9"	0.92	10'-10"	294	6'-7"	247	4'-6"	230										#7	38	10"	5'-1"	395	20	657	12	96	5	164	4	131	8'-4"	226	19.4	2698	10
11	7'-4"	2'-6"	1'-0"	3'-10"	1'-0"	1'-0"	1.01	12'-0"	325	7'-8"	288	5'-8"	290										#8	38	10"	5'-5"	550	22	723	13	104	5	164	4	131	8'-4"	226	21.7	3080	11
12	7'-10"	2'-7"	1'-1 1/8"	4'-1 7/8"	1'-0"	1'-0"	1.09	13'-2"	357	8'-9"	329	6'-10"	349										#9	38	10"	5'-9"	743	24	789	14	112	6	197	4	131	8'-4"	226	23.6	3544	12
13	8'-4"	2'-9"	1'-2"	4'-5"	1'-3"	1'-3"	1.23	10'-3"	278	9'-10"	369	8'-1"	413	5'-7"	388								#9	38	10"	6'-1"	786	26	854	15	120	6	197	4	131	8'-4"	226	28.3	4101	13
14	8'-10"	3'-0"	1'-3 1/8"	4'-6 7/8"	1'-3"	1'-3"	1.31	10'-3"	278	10'-11"	410	9'-5"	481	6'-11"	480								#9	38	10"	6'-5"	829	28	920	16	128	7	230	5	164	8'-4"	226	30.5	4512	14
15	9'-4"	3'-2"	1'-4"	4'-10"	1'-6"	1'-3"	1.41	10'-3"	278	12'-0"	451	10'-8"	545	8'-2"	567								#9	38	10"	6'-9"	872	28	920	16	128	7	230	5	164	8'-4"	226	35.1	4774	15
16	10'-0"	3'-4"	1'-5"	5'-3"	1'-6"	1'-6"	1.47	10'-3"	278	13'-1"	491	11'-11"	609	9'-5"	654								#9	38	10"	7'-2"	926	30	986	17	136	7	230	5	164	8'-4"	226	38.8	5119	16
17	10'-4"	3'-6"	1'-6 1/4"	5'-3 3/4"	1'-6"	1'-6"	1.59	10'-3"	278	14'-2"	532	13'-2"	673	10'-8"	740								#10	38	10"	7'-5"	1213	32	1051	18	144	8	263	5	164	8'-4"	226	41.1	5731	17
18	10'-11"	3'-8"	1'-7"	5'-8"	1'-9"	1'-6"	1.68	10'-3"	278	11'-2"	419	14'-5"	737	11'-11"	827	6'-11"	588						#10	38	10"	7'-9"	1267	34	1117	19	152	8	263	5	164	8'-4"	226	46.7	6513	18
19	11'-4"	3'-10"	1'-8 1/8"	5'-9 7/8"	1'-9"	1'-6"	1.78	10'-3"	278	11'-2"	419	15'-8"	801	13'-2"	914	8'-2"	694						#10	38	10"	8'-1"	1322	36	1183	20	160	8	263	5	164	8'-4"	226	49.5	6926	19
20	12'-0"	4'-0"	1'-9 1/4"	6'-2 3/4"	1'-9"	1'-6"	1.83	10'-3"	278	11'-2"	419	16'-11"	864	14'-5"	793								#10	38	10"	8'-6"	1472	38	1248	21	168	9	296	6	197	8'-4"	226	53.0	7744	20
21	12'-4"	4'-2"	1'-10 1/8"	6'-3 7/8"	2'-0"	1'-6"	1.97	10'-3"	278	11'-2"	419	18'-2"	928	15'-8"	1088	10'-7"	890						#8	76	5"	8'-9"	1776	40	1314	22	176	9	296	6	197	8'-4"	226	58.9	8144	21
22	13'-0"	4'-4"	1'-11 1/4"	6'-8 3/4"	2'-0"	1'-6"	2.02	10'-3"	278	11'-2"	419	12'-2"	622	16'-11"	1174	11'-9"	999	6'-11"	808				#8	76	5"	9'-2"	1860	42	1380	23	184	9	296	6	197	8'-4"	226	62.7	9026	22
23	13'-6"	4'-6"	2'-0 1/8"	6'-11 7/8"	2'-3"	1'-6"	2.12	10'-3"	278	11'-2"	419	12'-2"	622	18'-2"	1261	13'-0"	1105	7'-1"	941				#8	76	5"	9'-6"	1928	44	1446	24	192	10	329	6	197	8'-4"	226	69.7	9554	23
24	14'-0"	4'-8"	2'-1 1/4"	7'-2 3/4"	2'-3"	1'-6"	2.21	10'-3"	278	11'-2"	419	12'-2"	622	19'-5"	1348	14'-2"	1204	8'-1"	1074				#9	76	5"	9'-10"	2541	46	1511	25	200	10	329	6	197	8'-4"	226	73.4	10586	24
25	14'-6"	4'-10"	2'-2 3/8"	7'-5 5/8"	2'-3"	1'-9"	2.30	10'-3"	278	11'-2"	419	12'-2"	622	20'-8"	1435	15'-4"	1303	9'-1"	1206				#9	76	5"	10'-1"	2606	48	1577	26	208	10	329	7	230	8'-4"	226	78.3	11104	25
26	15'-0"	5'-0"	2'-3 1/2"	7'-8 1/2"	2'-3"	1'-9"	2.39	10'-3"	278	11'-2"	419	12'-2"	622	22'-0"	1527	16'-8"	1793	10'-1"	1339				#9	76	5"	10'-5"	2692	50	1643	27	217	11	361	7	230	8'-4"	226	82.3	12038	26
27	15'-6"	5'-2"	2'-4 3/8"	7'-11 3/8"	2'-3"	1'-9"	2.47	10'-3"	278	11'-2"	419	12'-2"	622	14'-4"	995	17'-10"	1516	11'-1"	1472	11'-10"	1635		#10	76	5"	10'-9"	3516	52	1708	28	225	11	361	7	230	8'-4"	226	86.4	13922	27
28	16'-0"	5'-4"	2'-5 3/4"	8'-2 1/4"	2'-3"	1'-9"	2.56	10'-3"	278	11'-2"	419	12'-2"	622	14'-4"	995	19'-1"	1622	12'-1"	1605	13'-1"	1807		#10	76	5"	11'-2"	3652	54	1774	29	233	11	361	8	263	8'-4"	226	90.6	14602	28
29	16'-6"	5'-6"	2'-6 1/2"	8'-5 1/2"	2'-6"	1'-9"	2.66	10'-3"	278	11'-2"	419	12'-2"	622	14'-4"	995	20'-3"	2690	13'-1"	1738	14'-4"	1980		#10	76	5"	11'-6"	3761	54	1774	29	233	12	394	8	263	8'-4"	226	99.1	16145	29



- Place vertical bars inside of horizontal bars (Typ both faces).
- Place footing toe against undisturbed soil.
- See standard RW 2 for size.



**GENERAL NOTES:**  
 All concrete to be Class "C".  
 All reinforcing steel to be Grade 60.  
 For notes and details not shown on this sheet see sheet RW2.  
 Quantities are based on "H" being average height of panel.  
 Retaining Walls are designed to be coded as follows on Retaining Wall Layout Sheets.  
 HC - 21 - 28  
 LA - 28 - 32  
 Panel Length ~ 32' is standard; 28' requires special quantities  
 Average Height "H" of panel  
 Design - A = no surcharge or slope above wall  
 B = slopes up to 4:1  
 C = traffic surcharge and/or slopes up to 2.5:1  
 Footing pressure design ~ L = low, H = high

**Bridge Division Standard**

## RETAINING WALLS

### RW 1(H)C

FILE: rwstdel0.dgn	DN: TxDOT	CK: TxDOT	DW: GHO	CK: MPM
©TxDOT March 2010	CONT	SECT	JOB	HIGHWAY
REVISIONS	DIST	COUNTY	SHEET NO.	

DATE: FILE: