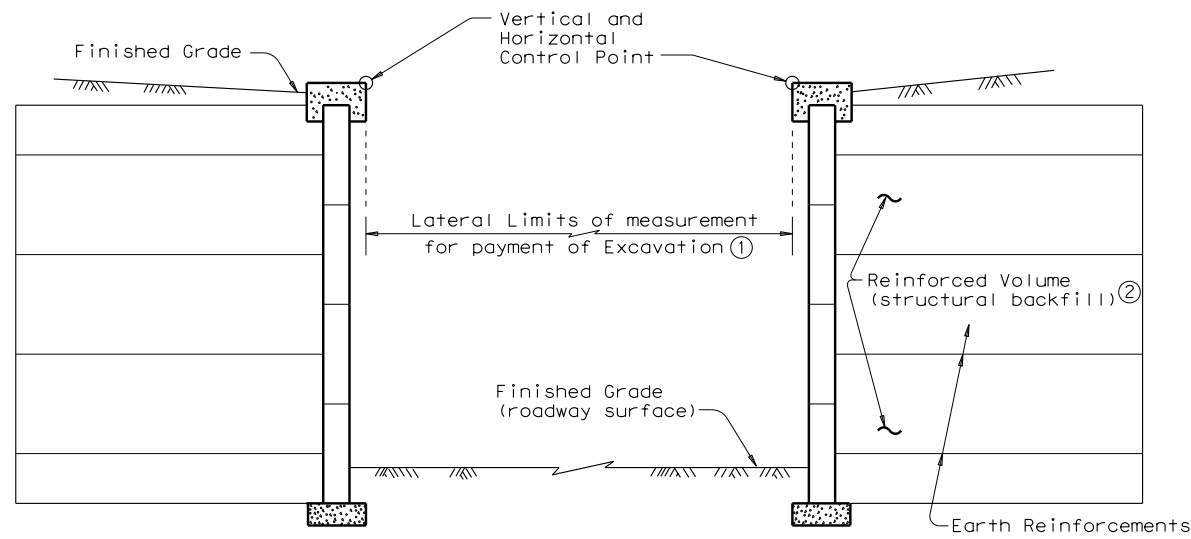
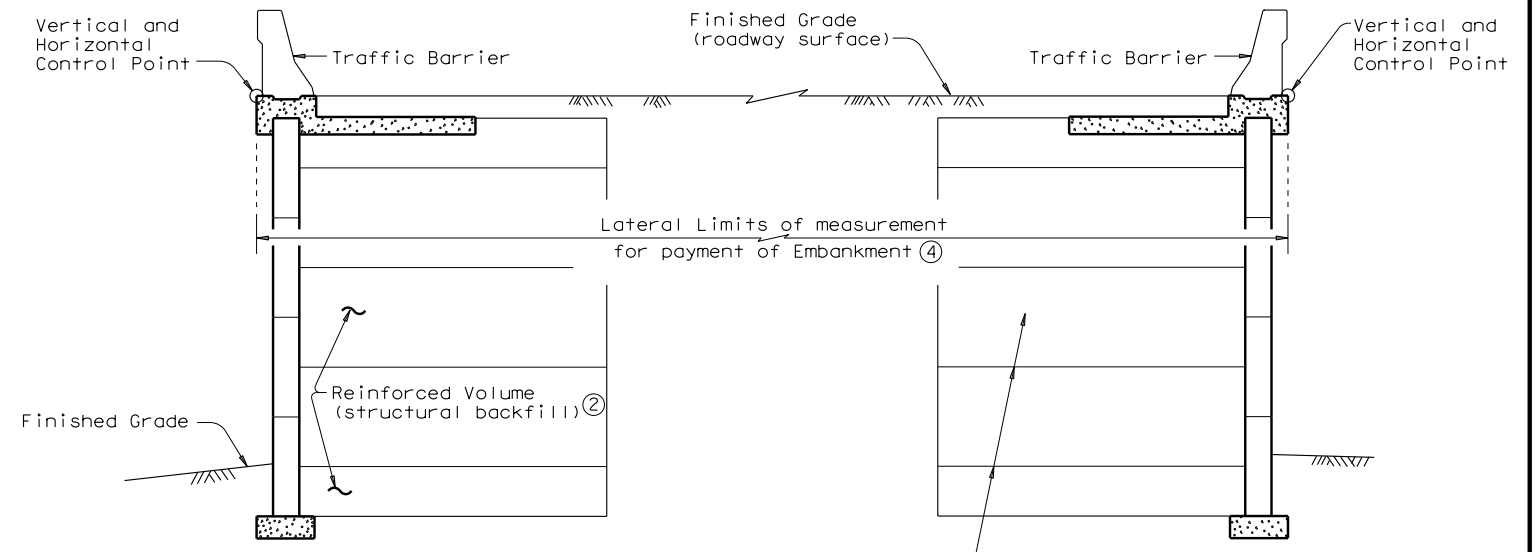


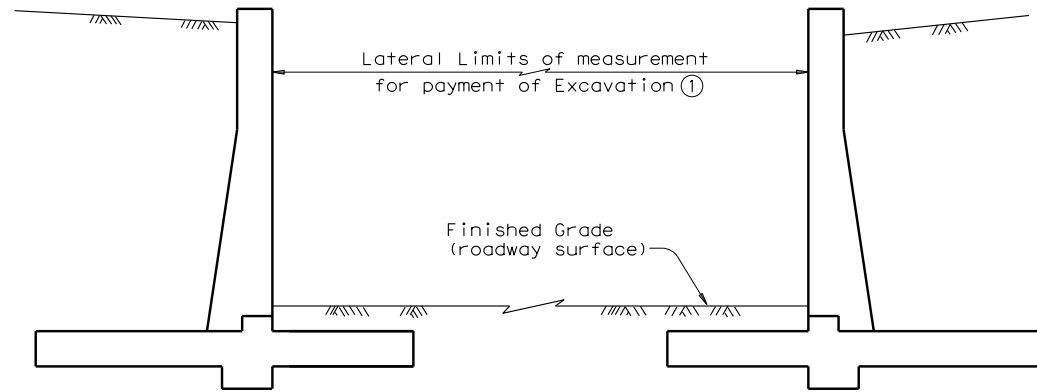
DISCLAIMER: The use of this standard is governed by the "Texas Engineering Practice Act". No warranty of any kind is made by TxDOT for any purpose whatsoever. TxDOT assumes no responsibility for the conversion of this standard to other formats or for incorrect results or damages resulting from its use.



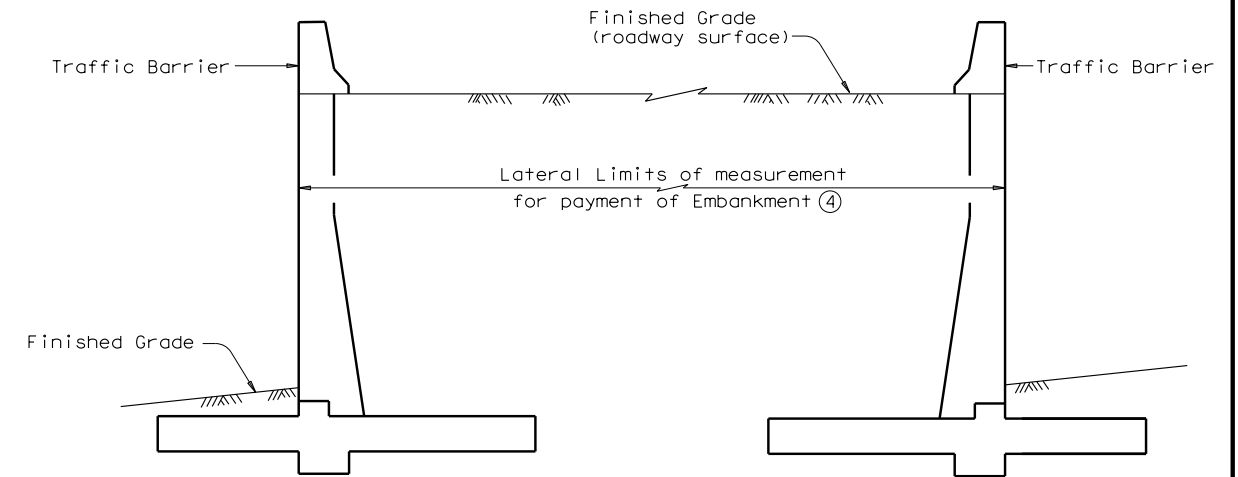
TYPICAL SECTION
Excavation Between MSE Retaining Walls (3)



TYPICAL SECTION
Embankment Between MSE Retaining Walls (3)

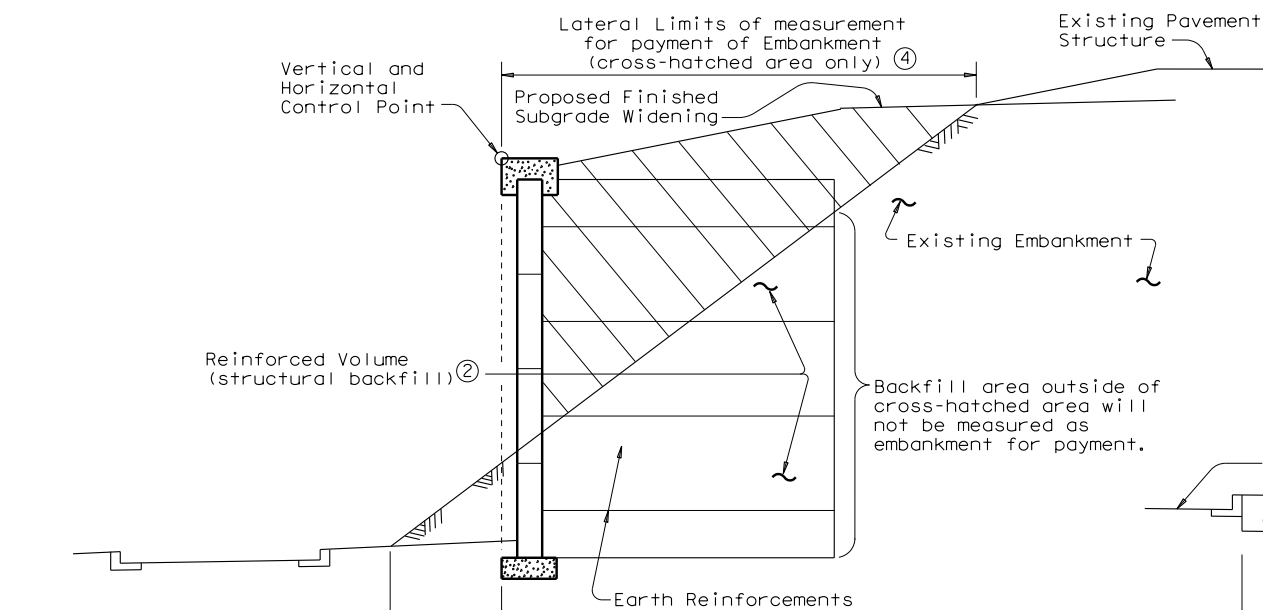


TYPICAL SECTION
Excavation Between Conventional Retaining Walls

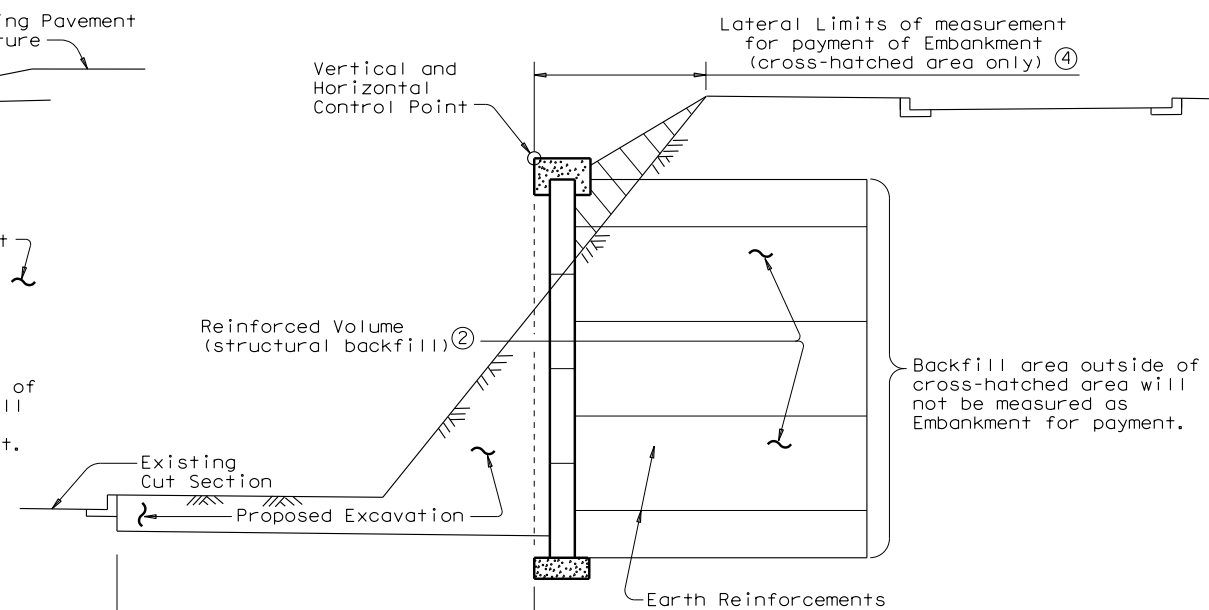


TYPICAL SECTION
Embankment Between Conventional Retaining Walls

- ① Only the Excavation above the proposed subgrade elevation will be measured for payment.
- ② Meeting requirements of Retaining-Wall Item.
- ③ Earthwork measurement with other designs of retaining walls will be made to the outside finished face in the same manner.
- ④ Only the Embankment above the existing ground line will be measured for payment.



TYPICAL SECTION
Widening Embankment with MSE Retaining Walls (3)



TYPICAL SECTION
Widening Cut Section with MSE Retaining Walls (3)

		Bridge Division Standard	
EARTHWORK MEASUREMENT AT RETAINING WALLS			
RW(EM)			
FILE: rwstde12.dgn	DN: TxDOT	CK: TxDOT	DW: BWH
©TxDOT March 2010	CONT	SECT	JOB
REVISIONS		HIGHWAY	
DIST		COUNTY	SHEET NO.

DATE:
FILE: