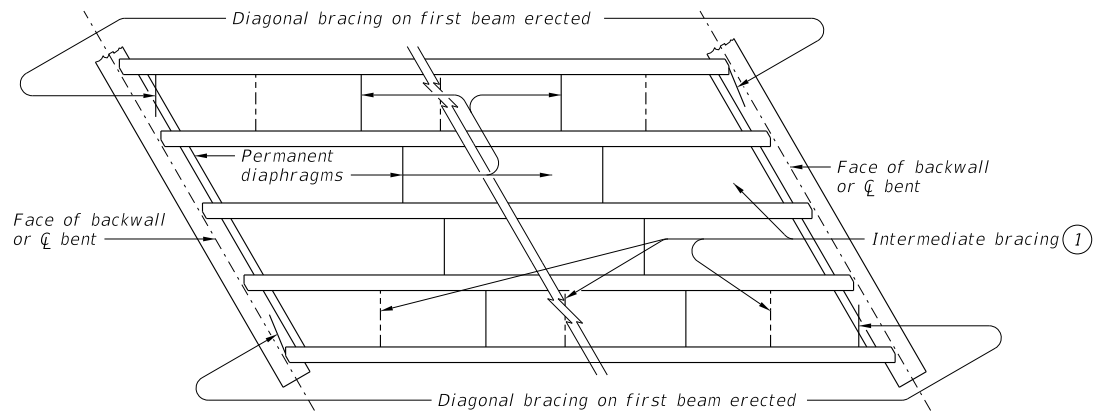
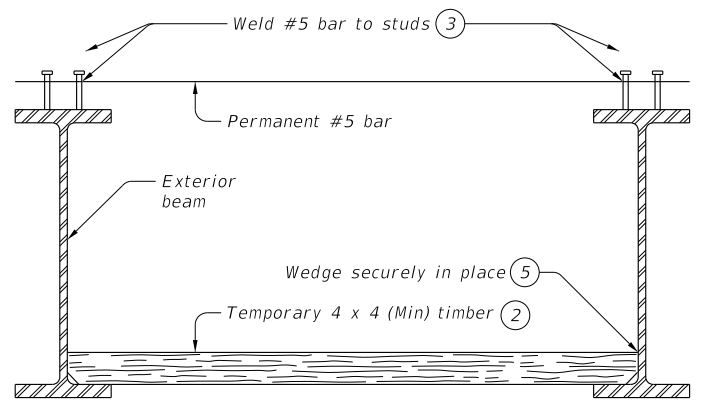


DISCLAIMER: The use of this standard is governed by the "Texas Engineering Practice Act". No warranty of any kind is made by TxDOT for any purpose whatsoever. TxDOT assumes no responsibility for the conversion of this standard to other formats or for incorrect results or damages resulting from its use.

DATE: FILE:



SKEWED



ELEVATION

INTERMEDIATE BRACING DETAILS ①

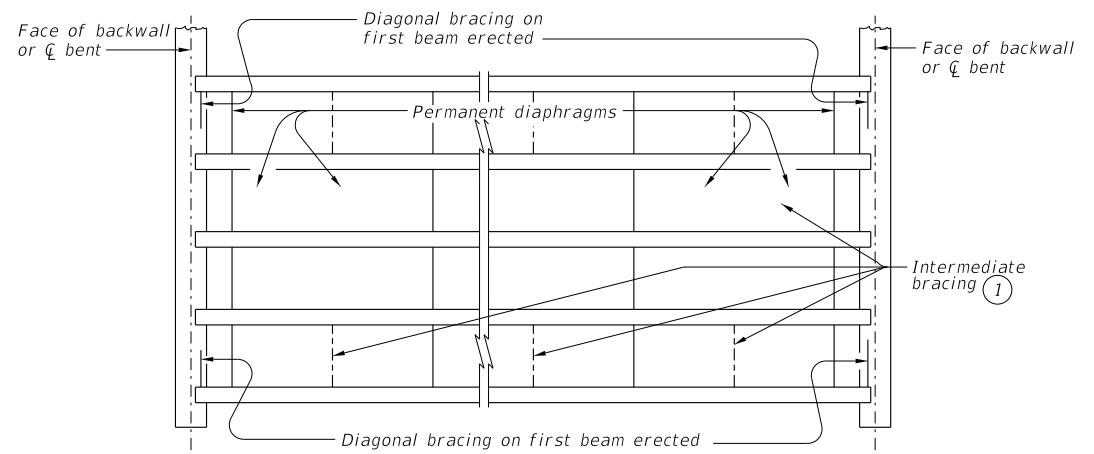
- ① Install in exterior bays prior to slab placement. Space equally between permanent diaphragms (12'-6" Max spacing).
- ② Pressure treated landscape timbers cannot be used. Remove temporary bracing after deck is placed.
- ③ Place and weld #5 bars as shown during erection. If forming deck with prestressed panels, bars can be temporarily removed, one at a time, during panel erection. Re-install bar prior to additional panel erection. Bars can rest on panels and be bent down and welded to stud connectors.
- ④ It is acceptable to tie anchor bolts to cap reinforcement.
- ⑤ Use wedges as necessary to obtain tight fit. Nail wedges to timbers.
- ⑥ All hardware used with cable must be able to develop the minimum ultimate strength specified. Use thimbles at all loops in cable. Install cable clamps with saddles bearing against the live end and U-bolts bearing against the dead end.
- ⑦ Anchor bolt may be drilled and epoxied in place. Provide 25k minimum pullout. Core drill hole.

BRACING:

Place permanent diaphragms immediately after erection of each beam. Bracing details shown are considered the minimum for fulfilling the requirements of Item 422, "Concrete Superstructures" and Item 441, "Steel Structures".
Required intermediate bracing must remain in place until slab concrete has attained a compressive strength of 3000 psi.

GENERAL NOTES:

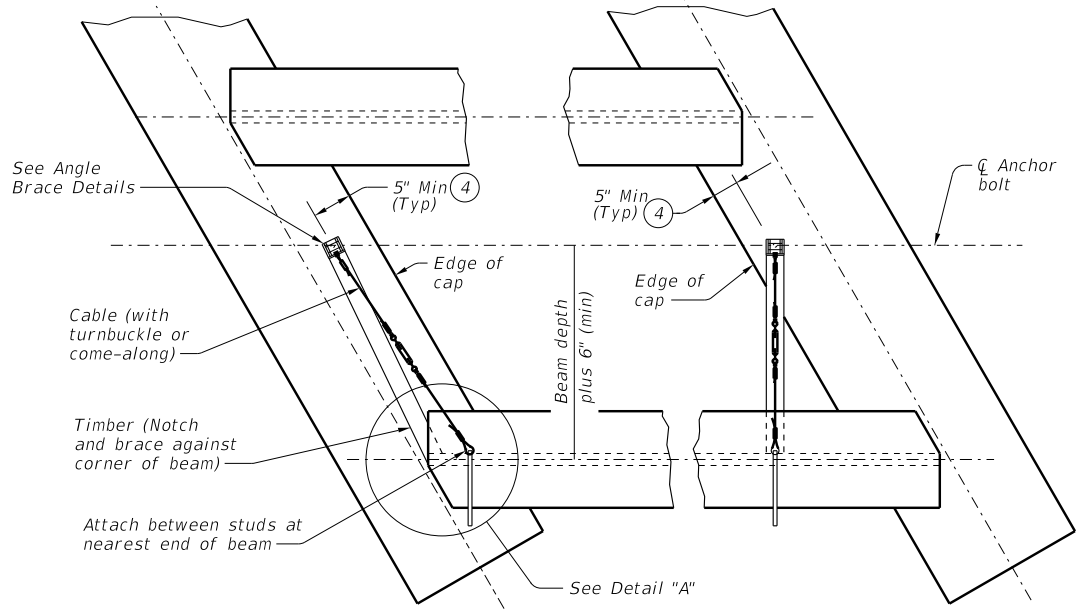
Systems equal to or better than those shown may be used provided details of such systems are submitted to and approved by the Engineer prior to erection.
Use of these systems or details does not relieve the Contractor of the responsibility for the adequacy of the bracing and the safety of the structure.
All turnbuckles, come-alongs, anchors and other connections must be capable of developing the full strength of the cable shown.
Furnish anchor bolts and nuts in accordance with Item 449, "Anchor Bolts".



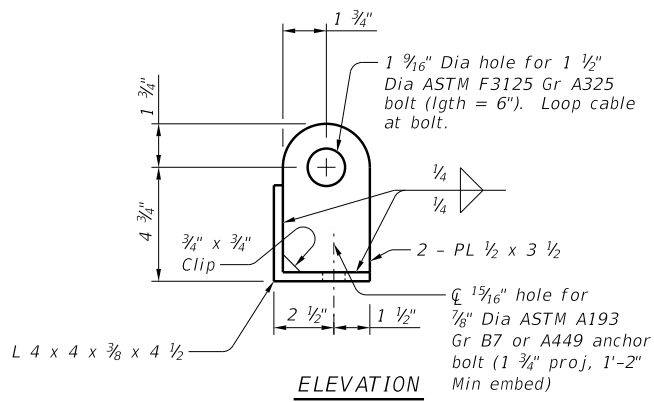
NORMAL

TYPICAL BRACING PLAN

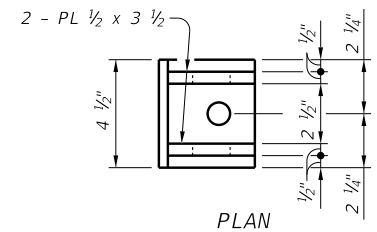
(Showing 30 ft roadway, 24 ft, and 28 ft roadways similar)



PLAN

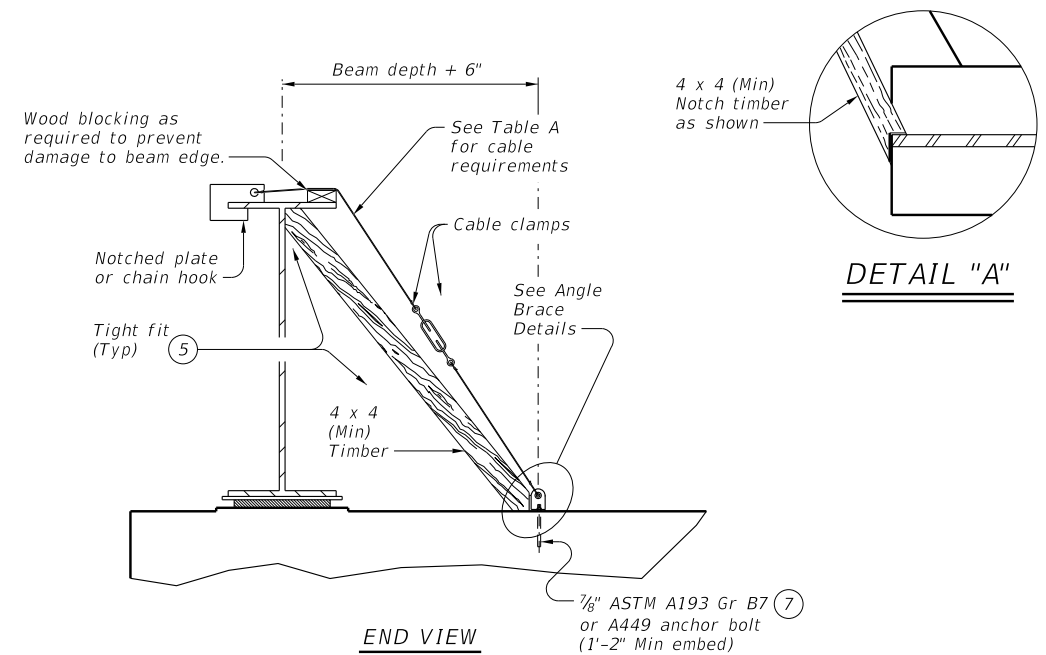


ELEVATION



PLAN

ANGLE BRACE DETAILS



END VIEW

DIAGONAL BRACING DETAILS ②

(To be used on both ends of the first beam erected in the span.)

TABLE A	
Beam Type	Req Min Cable Ultimate Strength ⑥
W18 & W21	10.5 k
W24 & W27	14.3 k
W30 & W33	18.2 k
W36 & W40	20.8 k

The details shown on this sheet are applicable for use only with the Steel Beam Standard Designs shown on Standards SBSD-24, SBSD-28 and SBSD-30.

					Bridge Division Standard	
STANDARD ERECTION AND BRACING REQUIREMENTS STEEL BEAM SPANS SBBR						
FILE: sbstd01-21.dgn	DN: TxDOT	CK: TxDOT	DW: TxDOT	CK: TxDOT		
©TxDOT November 2021	CONT	SECT	JOB	HIGHWAY		
REVISIONS						
DIST			COUNTY		SHEET NO.	