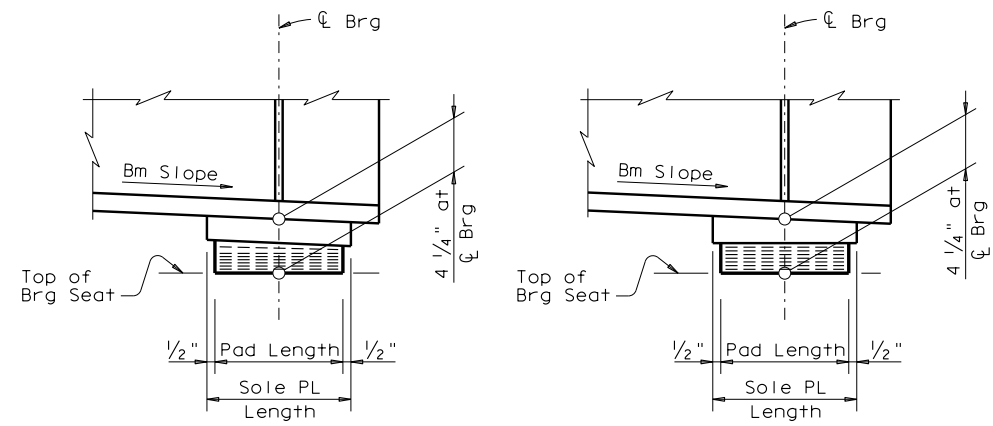


DISCLAIMER: The use of this standard is governed by the "Texas Engineering Practice Act". No warranty of any kind is made by TxDOT for any purpose whatsoever. TxDOT assumes no responsibility for the conversion of this standard to other formats or for incorrect results or damages resulting from its use.

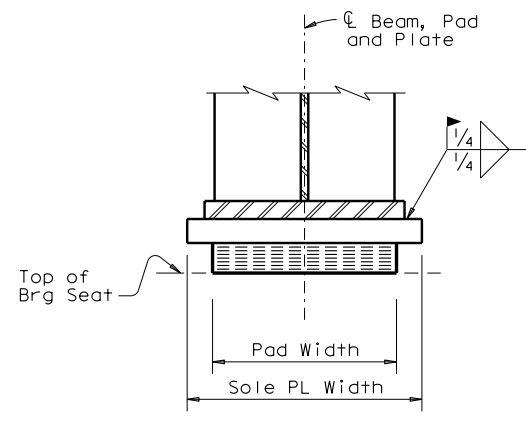
DATE: FILE:



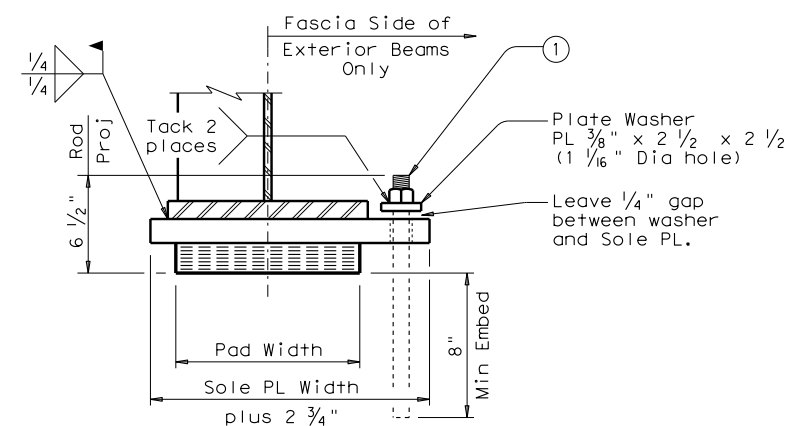
FOR BEAM SLOPES  $\leq 3\%$

FOR BEAM SLOPES  $> 3\%$

**SIDE ELEVATION**

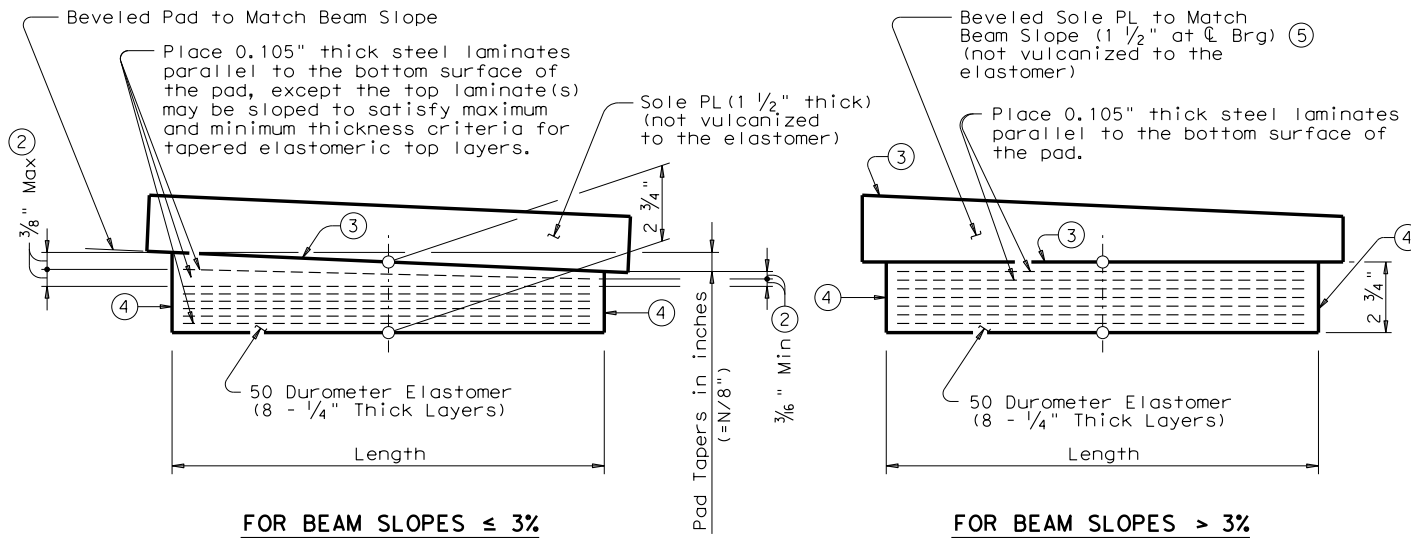


INTERIOR BEAMS



EXTERIOR BEAMS

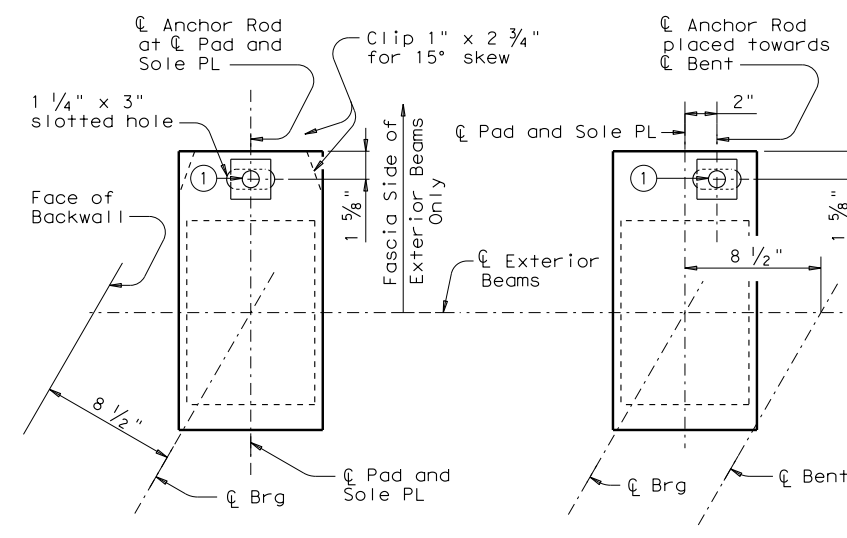
**TRANSVERSE SECTIONS**



FOR BEAM SLOPES  $\leq 3\%$   
(Max Taper = 1/4")

FOR BEAM SLOPES  $> 3\%$

**LAMINATED ELASTOMERIC BEARING DETAILS**

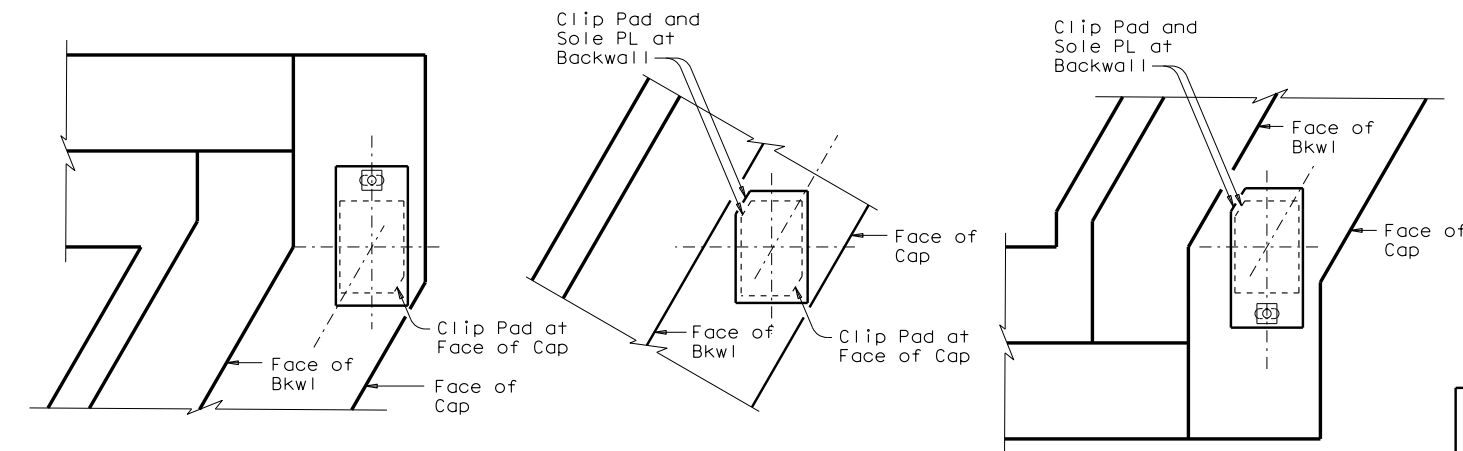


PLAN AT ABUTMENTS

PLAN AT INT BENTS

**BEARING PLACEMENT AND ANCHOR ROD DETAILS**

(Anchor Rod for Exterior Beams only)



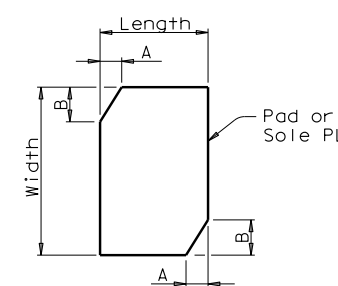
EXT BM, OBTUSE CORNER

INT BM LOCATIONS

EXT BM, ACUTE CORNER

**CORNER CLIP DETAILS**

For Bearings at Abutments Skewed 30°



CLIP DIMENSIONS

Bearing Type	Bearing Pad		Sole Plate	
	A	B	A	B
SB-1	1/2"	1"	2"	3 1/4"
SB-2	1"	2"	2 1/2"	4 1/4"
SB-3	1 3/4"	3"	3"	5 1/4"
SB-4	2 1/4"	4"	3"	5 1/4"

The details shown on this sheet are applicable for use only with the Steel Beam Standard Designs shown on Standards SBSD-24, SBSD-28 and SBSD-30.

**TABLE OF BEARING DIMENSIONS**

Bearing Type <sup>(3)</sup>	Bearing Pad		Sole Plate	
	Length	Width	Length	Width <sup>(7)</sup>
SB-1-"N"	8"	10"	9"	15"
SB-2-"N"	8"	12"	9"	17"
SB-3-"N"	8"	14"	9"	19"
SB-4-"N"	8"	16"	9"	19"

- 1" Dia threaded rod (ASTM A 193 Gr B7 or F 1554 Gr 105) with heavy hex nut and plate washer. Hot-dip galvanize rod, nut and washer. Sizing, drilling and cleaning rod roles must follow the epoxy manufacturer's directions. Use a Type III (Class C) epoxy meeting the requirements of DMS-6100, "Epoxyes and Adhesives". Mix and dispense adhesive with the manufacturer's static mixing nozzle/dual cartridge system.
- Max and Min layer thicknesses shown are for elastomer only, on tapered layers.
- Locate "BEARING TYPE" identification here. Locate BEARING TYPE on high side of tapered pads and beveled sole plates. Include the value of "N" (amount of taper in 1/8" increments) in this mark.  
Examples: N=0, (for 0" taper)  
N=1, (for 1/8" taper)  
N=2, (for 1/4" taper)  
Fabricated pad top surface slope shall not vary from plan beam slope by more than (0.0625" / Length) IN/IN.
- Locate permanent mark here.
- Beveled steel plates (for beam slopes > 3%): For shop plans, establish one edge of beveled steel plates to nearest 1/16" based on required thickness at center of bearing and the slope of the fabricated beams. Thickness tolerance variation from the shop plans is plus or minus 1/16", except that the variation from a plane parallel to the theoretical top surface can not exceed 1/16" total.
- The use of polyisoprene (natural rubber), for the manufacture of bearing pads, is not permitted.
- Add 2 3/4" at exterior beams for anchor rods.

**GENERAL NOTES:**

Shop drawings for approval are required.  
For unpainted weathering steel bridges, use A588 steel for sole plate.  
For painted bridges, portion of sole plate in contact with bearing does not need to be masked when applying the prime coat.  
A bearing layout which identifies location and orientation of all bearings shall be developed by the bearing fabricator. Permanently mark each bearing in accordance with the bearing layout. A copy of the bearing layout is to be provided to the Engineer.  
Cost of furnishing and installing elastomeric bearings is to be included in the unit price bid for "Structural Steel".  
Sole plates and anchor rods are included in structural steel pay weight, shown on standards SBSD-24, SBSD-28, and SBSD-30.

**HL93 LOADING**

		<b>Bridge Division Standard</b>	
<b>ELASTOMERIC BEARINGS STEEL BEAM SPANS</b>			
<b>SBEB</b>			
FILE: sbstae03.dgn	DN: TxDOT	CK: TxDOT	DW: TxDOT
©TxDOT August 2004	CONT	SECT	JOB
REVISIONS			HIGHWAY
Rev. 02-06: Anchor Rod Details.	DIST	COUNTY	SHEET NO.