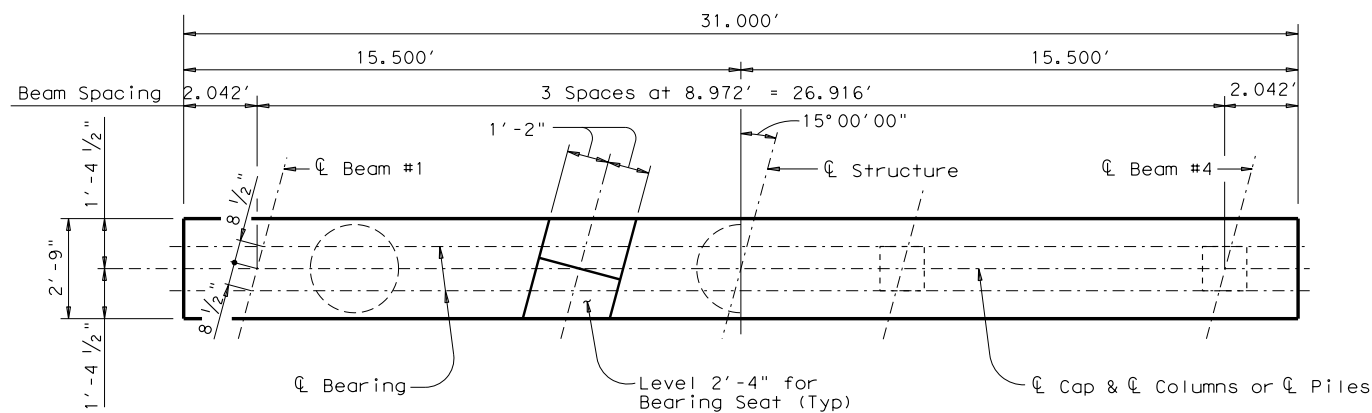


DISCLAIMER: The use of this standard is governed by the "Texas Engineering Practice Act". No warranty of any kind is made by TxDOT for any purpose whatsoever. TxDOT assumes no responsibility for the conversion of this standard to other formats or for incorrect results or damages resulting from its use.

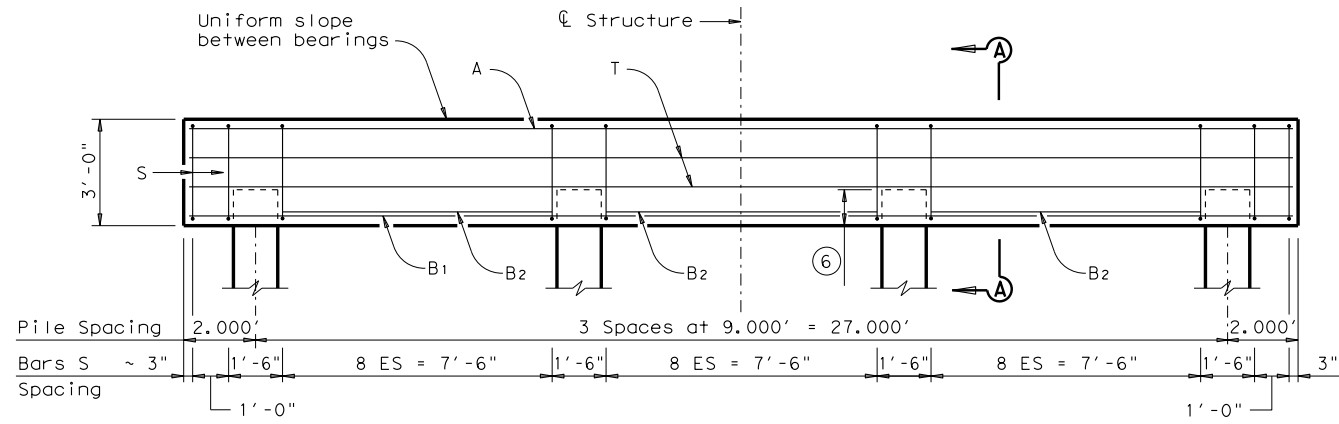


HALF PLAN

(3 Column/Dr Shaft Bent)

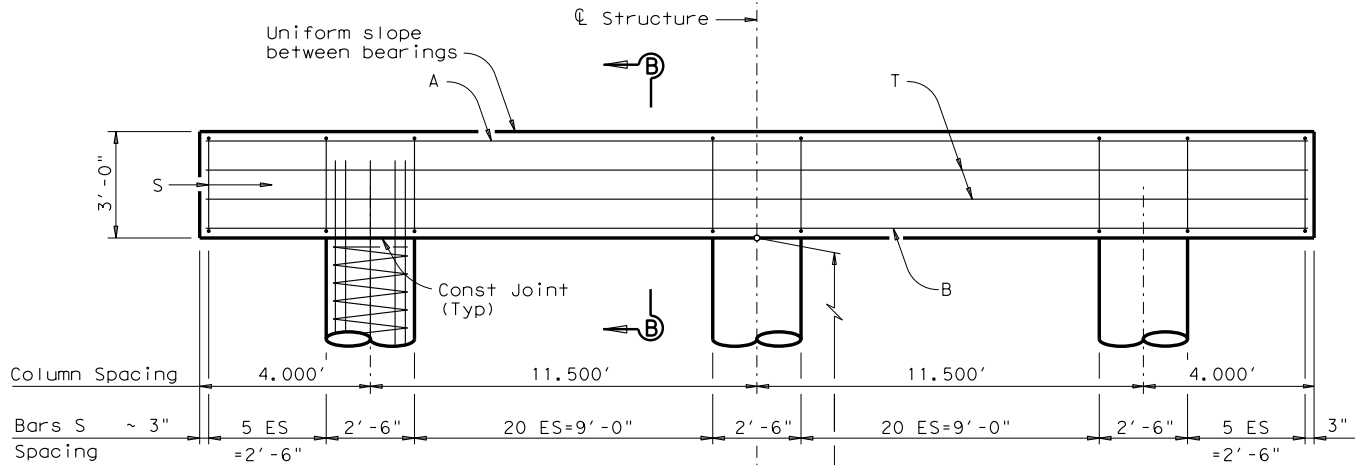
HALF PLAN

(4 Pile Bent)



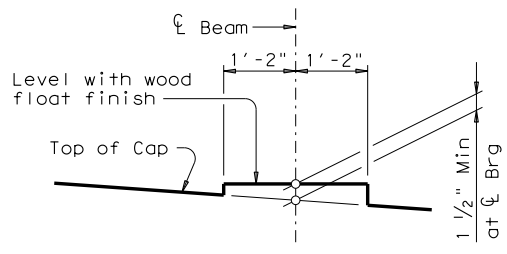
ELEVATION

(4 Pile Bent)



ELEVATION

(3 Column/Dr Shaft Bent)



BEARING SEAT DETAIL

(Bearing surface shall be clean and free of all loose material before placing bearing pad.)

TABLE OF ESTIMATED QUANTITIES 4 PILE BENT

Bar	No	Size	Length	Weight
A	4	#9	30'-8"	417
B1	2	#9	30'-8"	209
B2	6	#9	7'-6"	153
S	31	#5	11'-0"	356
T	4	#5	30'-8"	128
Reinforcing Steel				Lb 1,263
Class "C" Conc (Cap)				CY 9.6

TABLE OF ESTIMATED QUANTITIES FOR 3 COLUMN BENT

Bar	No	Size	Length	Weight
A	5	#11	30'-8"	815
B	4	#11	30'-8"	652
S	54	#5	11'-0"	620
T	4	#5	30'-8"	128
V	24	#9	32'-3"	2,631
Z	3	#3	391'-0"	441
Reinforcing Steel				Lb 5,287
Class "C" Conc (Cap)				CY 9.6
Class "C" Conc (Cols)				CY 16.4

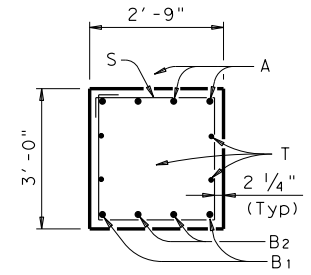
TABLE OF MAXIMUM ALLOWABLE EXPOSED PILE HEIGHTS AND PILE LOADS

Pile Type	Max Ht		Max Load
	Steel	Ft	
Concrete	Steel	Ft	Tons/Pile
16" Sq	HP14x73	16	75
18" Sq	HP14x117	20	90
20" Sq	HP18x135	24	110

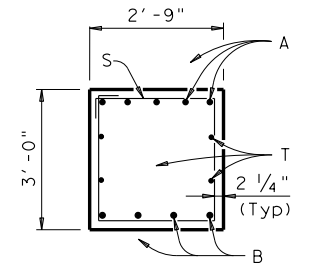
TABLE OF FOUNDATION LOADS

Span Length	Pile Load	
	Ft	Tons/Pile
30	66	41
35	72	46
40	77	50
45	83	54
50	88	58
55	93	62
60	99	66
65	104	70
70	110	75
75	116	79
80	122	84
85	128	88
90	134	93
95	142	98
100	144	100
105	152	106
110	157	110
115	164	115
120	172	120

- Quantities shown are based on an "H" value of 30'-0". For each linear foot variation in "H" value, make the following adjustments:
Bars V length, 1'-0"
Bars Z length, 12.610'
Reinforcing Steel, 96 Lbs
Class "C" Conc (Cols) 0.545 CY
- Foundation Loads based on "H"=30'-0".
- This standard may not be used for "H" heights exceeding 30'-0" or exposed pile heights exceeding the values shown in the table. In areas of very soft soil or where scour is anticipated, maximum allowable "H" heights or exposed pile heights shall be evaluated by the Engineer prior to the use of this standard.
- When HP14x117 steel piling is specified in the plans, the Contractor has the option of furnishing either HP14x117 or HP16x101 steel piling.
- Maximum average span length allowed for 4 pile bent is 110'.
- See FD standard.



SECTION A-A



SECTION B-B

GENERAL NOTES:

Designed according to AASHTO LRFD Specifications. For Pile Bents supporting unequal spans, the shorter span cannot be less than 80 percent of the longer span. This standard is drawn showing right forward skew. See Bridge Layout for actual skew direction. Concrete compressive strength $f'c=3,600$ psi. All Cap reinforcing shall be Grade 60. Column and Drilled Shaft reinforcing may be Grade 40. See Bridge Layout for foundation type, size and length. See standard SBBR for location and size of anchor bolt required for erection bracing. See standard FD for foundation details and notes. These bent details do not support the use of multi-pile footings as shown on the FD standard. Bent selection shall be based on the average span length rounded up to the next 5' increment. These bent details may be used for the beam types and span lengths shown on the standard SBSB-28 only.

HL93 LOADING

Texas Department of Transportation
INTERIOR BENTS
STEEL BEAM SPANS
28' ROADWAY 15° SKEW
BSB-28-15

FILE: sbstde20.dgn | DN: TxDOT | CK: TxDOT | DW: TxDOT | CK: TxDOT
 ©TxDOT August 2004 | CONT | SECT | JOB | HIGHWAY
 REVISIONS
 02-2012: Piles, Notes and No. of Columns | DIST | COUNTY | SHEET NO.

DATE: FILE: