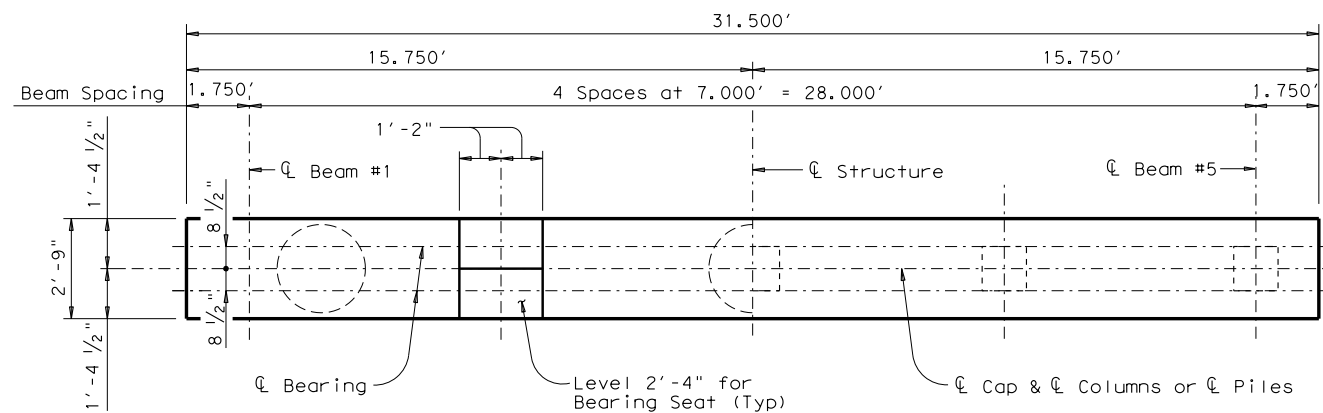
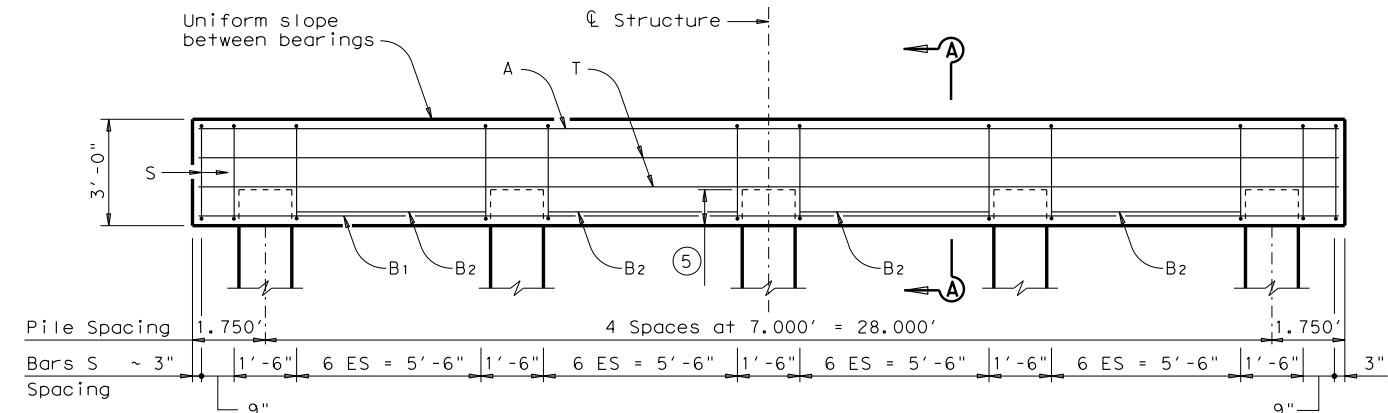


DISCLAIMER: The use of this standard is governed by the "Texas Engineering Practice Act". No warranty of any kind is made by TxDOT for any purpose whatsoever. TxDOT assumes no responsibility for the conversion of this standard to other formats or for incorrect results or damages resulting from its use.

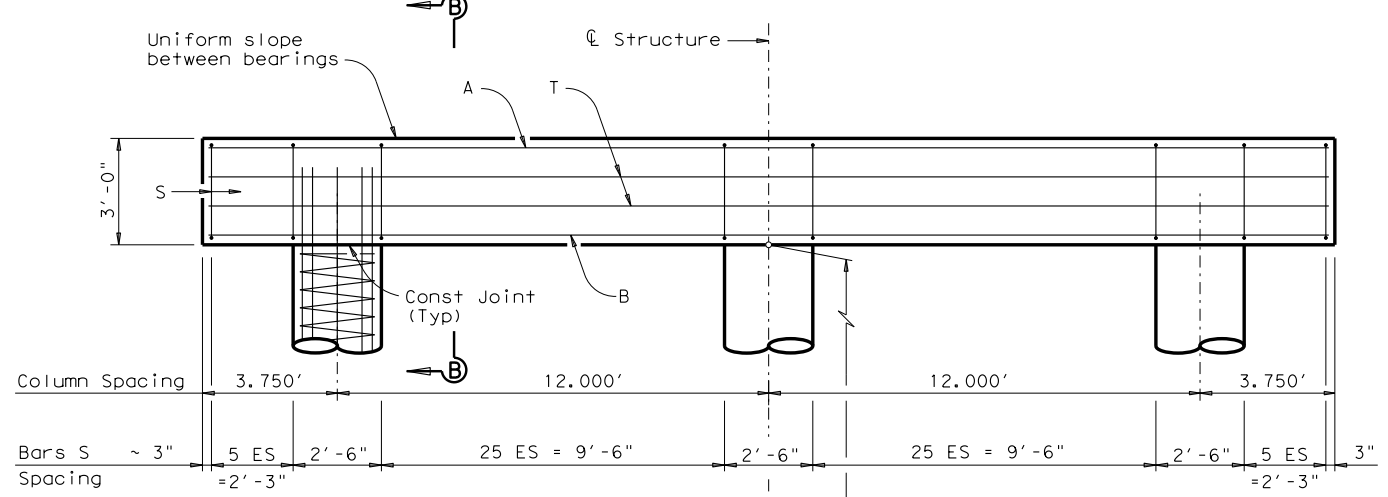


HALF PLAN
(3 Column/Dr Shaft Bent)

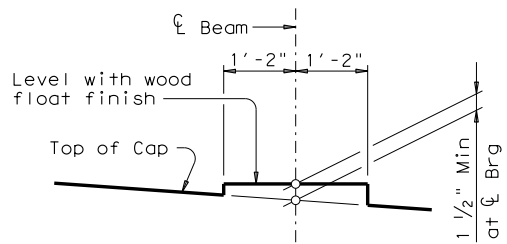
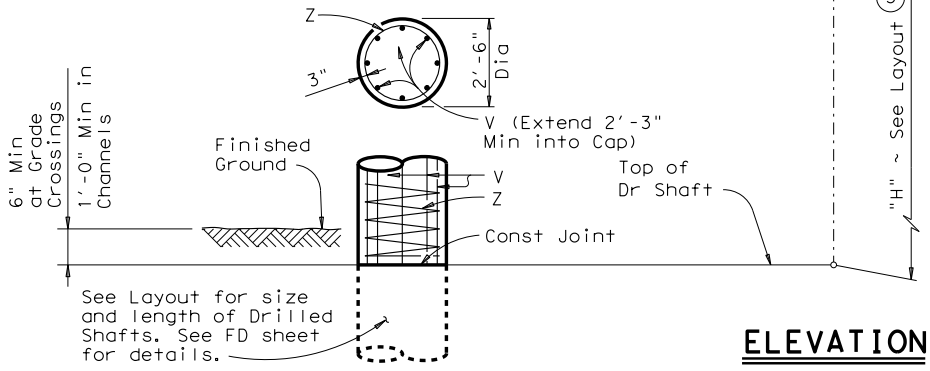
HALF PLAN
(5 Pile Bent)



ELEVATION ③
(5 Pile Bent)



ELEVATION
(3 Column/Dr Shaft Bent)



BEARING SEAT DETAIL
(Bearing surface shall be clean and free of all loose material before placing bearing pad.)

TABLE OF ESTIMATED QUANTITIES 5 PILE BENT

Bar	No.	Size	Length	Weight
A	4	#9	31'-2"	424
B1	2	#9	31'-2"	212
B2	8	#9	5'-6"	150
S	32	#5	11'-0"	367
T	4	#5	31'-2"	130
Reinforcing Steel				Lb 1,283
Class "C" Conc (Cap)				CY 9.8

TABLE OF ESTIMATED QUANTITIES FOR 3 COLUMN BENT ①

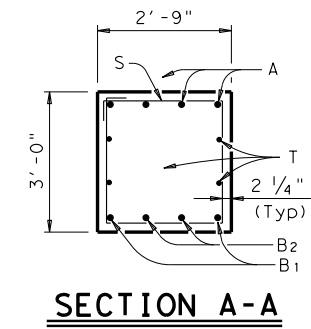
Bar	No	Size	Length	Weight
A	4	#11	31'-2"	662
B	4	#11	31'-2"	662
S	64	#5	11'-0"	734
T	4	#5	31'-2"	130
V	24	#9	32'-3"	2,632
Z	3	#3	391'-0"	441
Reinforcing Steel				Lb 5,261
Class "C" Conc (Cap)				CY 9.8
Class "C" Conc (Cols)				CY 16.4

TABLE OF MAXIMUM ALLOWABLE EXPOSED PILE HEIGHTS AND PILE LOADS ③

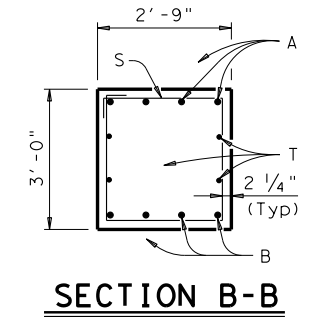
Pile Type		Max Ht	Max Load
Concrete	Steel	Ft	Tons/Pile
16" Sq	HP14x73	16	75
18" Sq	HP14x117 ④	20	90
20" Sq	HP18x135	24	110

TABLE OF FOUNDATION LOADS ②

Span Length	Pile Load	
	Ft	Tons/Pile
30	67	37
35	73	41
40	79	44
45	84	48
50	89	51
55	94	54
60	100	57
65	105	60
70	110	63
75	113	65
80	124	72
85	130	75
90	137	80
95	141	82
100	147	85
105	154	90
110	162	95
115	169	99
120	172	100



SECTION A-A



SECTION B-B

- ① Quantities shown are based on an "H" value of 30'-0". For each linear foot variation in "H" value, make the following adjustments:
Bars V length, 1'-0"
Bars Z length, 12.610'
Reinforcing Steel, 96 Lbs
Class "C" Conc (Cols) 0.545 CY
- ② Foundation Loads based on "H"=30'-0".
- ③ This standard may not be used for "H" heights exceeding 30'-0" or exposed pile heights exceeding the values shown in the table. In areas of very soft soil or where scour is anticipated, maximum allowable "H" heights or exposed pile heights shall be evaluated by the Engineer prior to the use of this standard.
- ④ When HP14x117 steel piling is specified in the plans, the Contractor has the option of furnishing either HP14x117 or HP16x101 steel piling.
- ⑤ See FD standard.

GENERAL NOTES:
Designed according to AASHTO LRFD Specifications.
For Pile Bents supporting unequal spans, the shorter span cannot be less than 80 percent of the longer span.
Concrete compressive strength $f'_c=3,600$ psi.
All Cap reinforcing shall be Grade 60.
Column and Drilled Shaft reinforcing may be Grade 40.
See Bridge Layout for foundation type, size and length.
See standard SBBR for location and size of anchor bolt required for erection bracing.
See standard FD for foundation details and notes.
These bent details do not support the use of multi-pile footings as shown on the FD standard.
Bent selection shall be based on the average span length rounded up to the next 5' increment.
These bent details may be used for the beam types and span lengths shown on the standard SBSD-30 only.

HL93 LOADING

Texas Department of Transportation
INTERIOR BENTS
STEEL BEAM SPANS
30' ROADWAY
BSB-30

FILE: sbstde29.dgn	DN: TxDOT	CK: TxDOT	DW: TxDOT	CK: TxDOT
©TxDOT August 2004	CONT	SECT	JOB	HIGHWAY
02-2012: Piles, Notes and No. of Columns	DIST	COUNTY	SHEET NO.	

DATE: FILE: