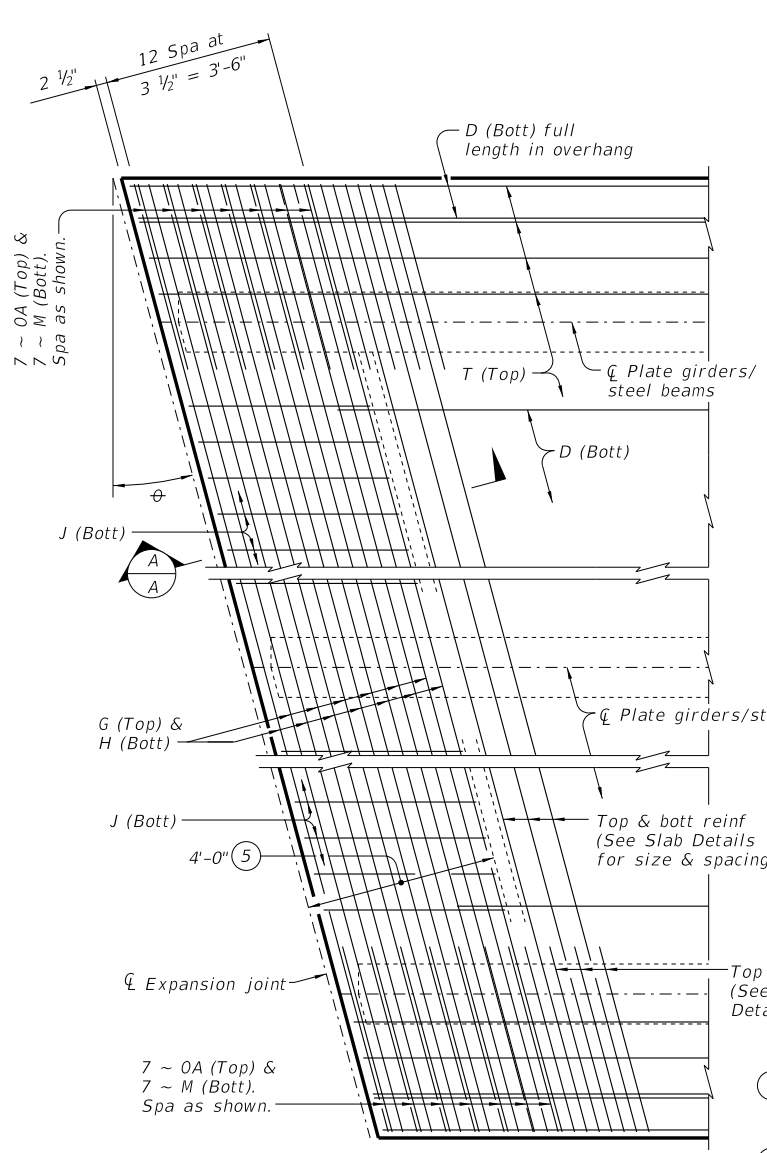
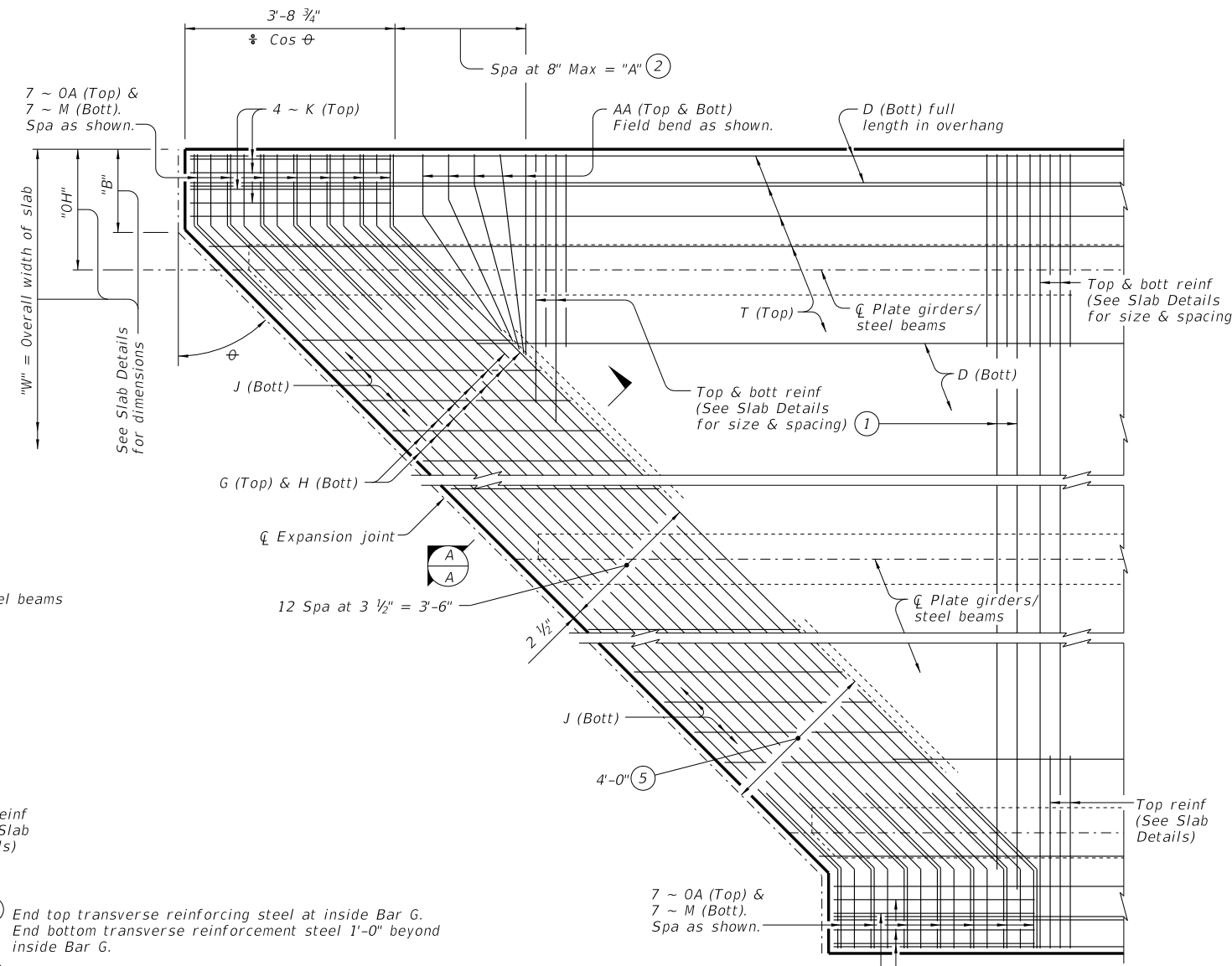


DISCLAIMER: The use of this standard is governed by the "Texas Engineering Practice Act". No warranty of any kind is made by TxDOT for any purpose whatsoever. TxDOT assumes no responsibility for the conversion of this standard to other formats or for incorrect results or damages resulting from its use.

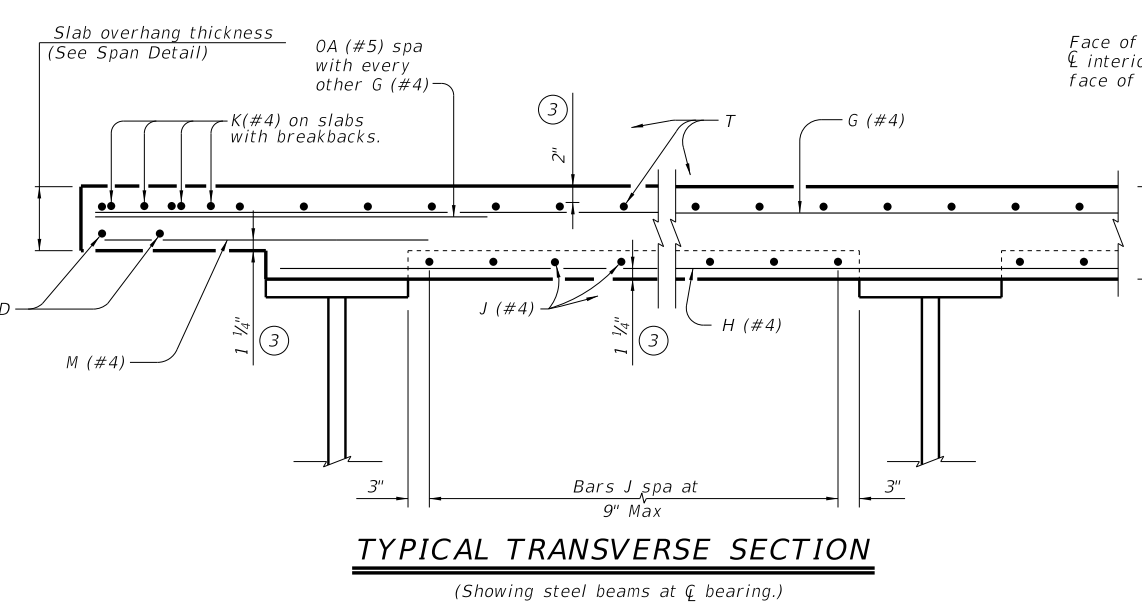
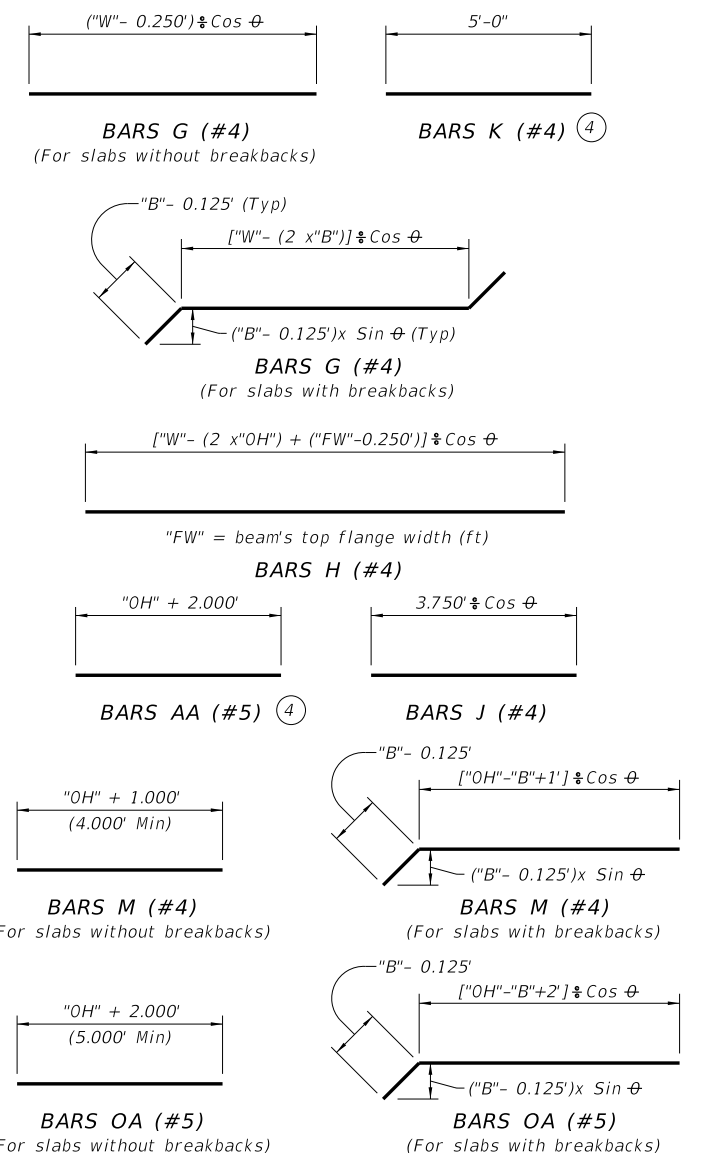


**PARTIAL PLAN FOR SLABS WITHOUT BREAKBACK**

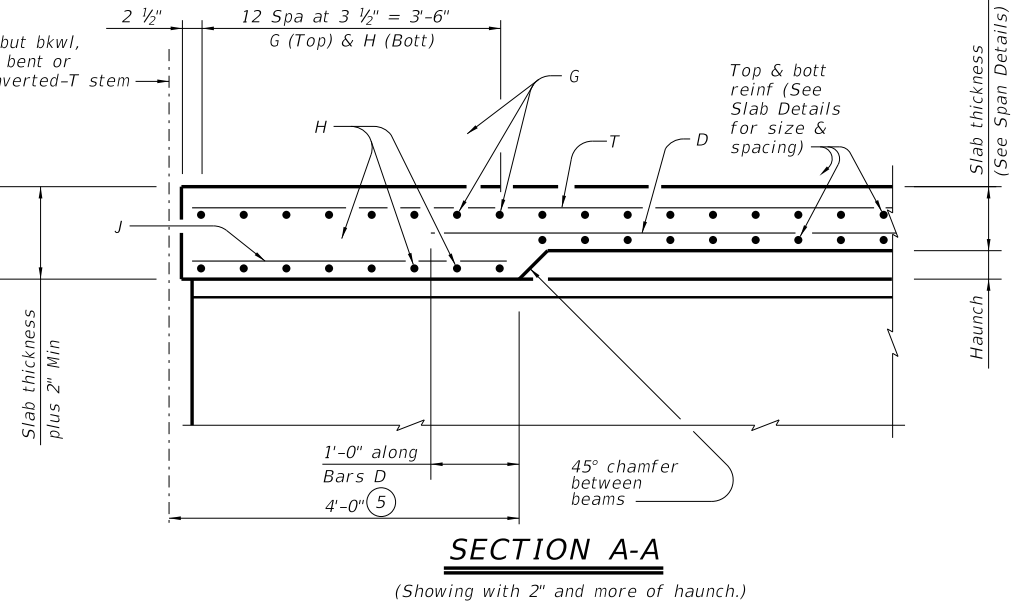


**PARTIAL PLAN FOR SLABS WITH BREAKBACK**

- 1 End top transverse reinforcing steel at inside Bar G. End bottom transverse reinforcement steel 1'-0" beyond inside Bar G.
- 2 "A" = ("OH" + 2.333' - "B") x Tan  $\theta$
- 3 Provide clear cover as indicated unless otherwise shown on Span Details.
- 4 Only required on slabs with breakbacks.
- 5 Thickened slab end dimensioned perpendicular to face of bkwl, centerline interior bent or face of inverted-T stem.



**TYPICAL TRANSVERSE SECTION**  
(Showing steel beams at  $\phi$  bearing.)



**SECTION A-A**  
(Showing with 2" and more of haunch.)

**MATERIAL NOTES:**  
Provide Grade 60 reinforcing steel.  
If slab reinforcing steel is shown on the Slab Details to be epoxy coated, then Bars AA, G, K, H, J, M, and OA must be epoxy coated.  
Provide bar laps, where required, as follows:  
Uncoated ~ #4 = 1'-7"

**GENERAL NOTES:**  
Designed according to AASHTO LRFD Bridge Design Specifications. These details are restricted to steel beam spans. These details are to be used in conjunction with the span details and Prestressed Concrete Panels (PCP) standard (if prestressed concrete panels are used).  
When Option 2 from the Prestressed Concrete Panels standard is used, provide Bars AA, G, K and OA in the slab.

Cover dimension are clear dimensions, unless noted otherwise. Reinforcing bar dimensions shown are out-to-out of bar.

HL93 LOADING

Texas Department of Transportation  
Bridge Division Standard

**THICKENED SLAB END DETAILS  
STEEL BEAM SPANS**

SBTS

FILE: sbstd36-21.dgn	DN: TxDOT	CK: TxDOT	DW: TxDOT	CK: TxDOT
©TxDOT November 2021	CONT	SECT	JOB	HIGHWAY
REVISIONS				
DIST	COUNTY		SHEET NO.	

DATE:  
FILE: