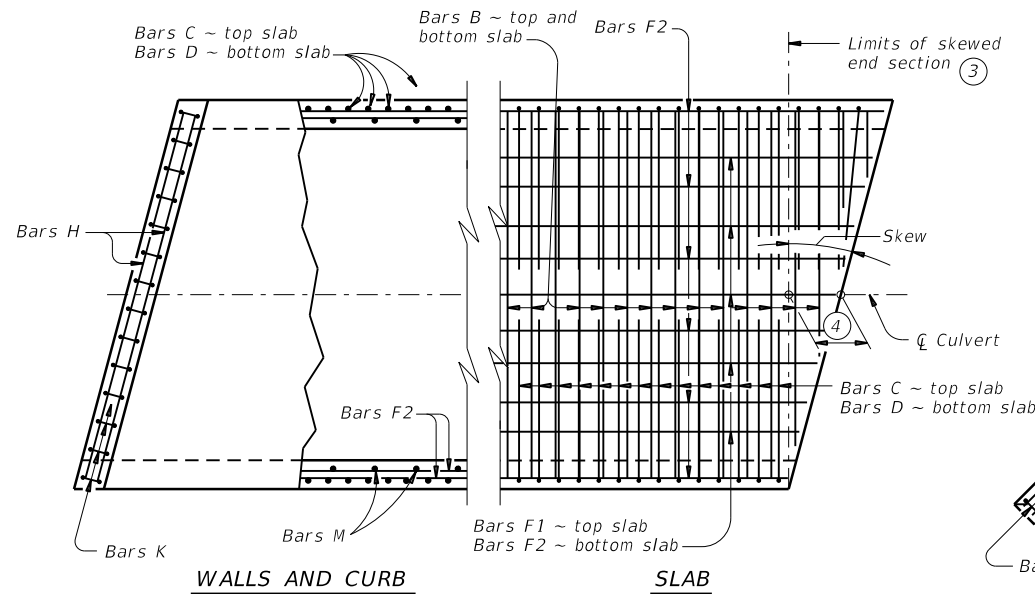
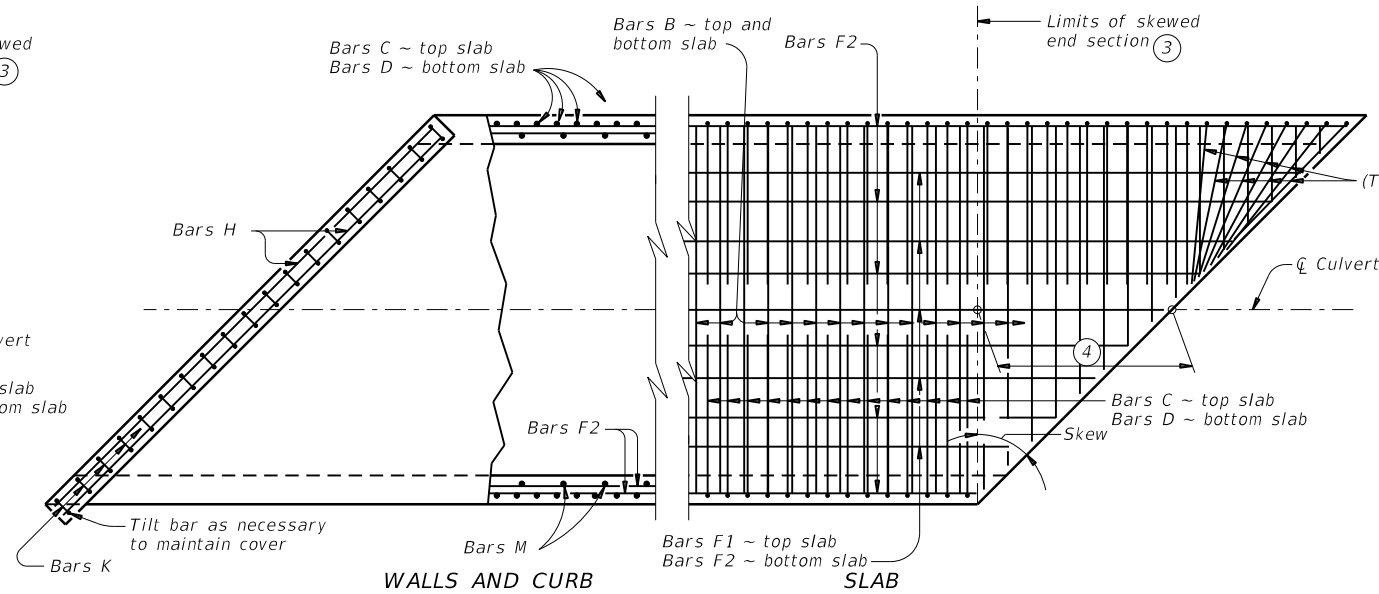


DISCLAIMER: The use of this standard is governed by the "Texas Engineering Practice Act". No warranty of any kind is made by TxDOT for any purpose whatsoever. TxDOT assumes no responsibility for the conversion of this standard to other formats or for incorrect results or damages resulting from its use.

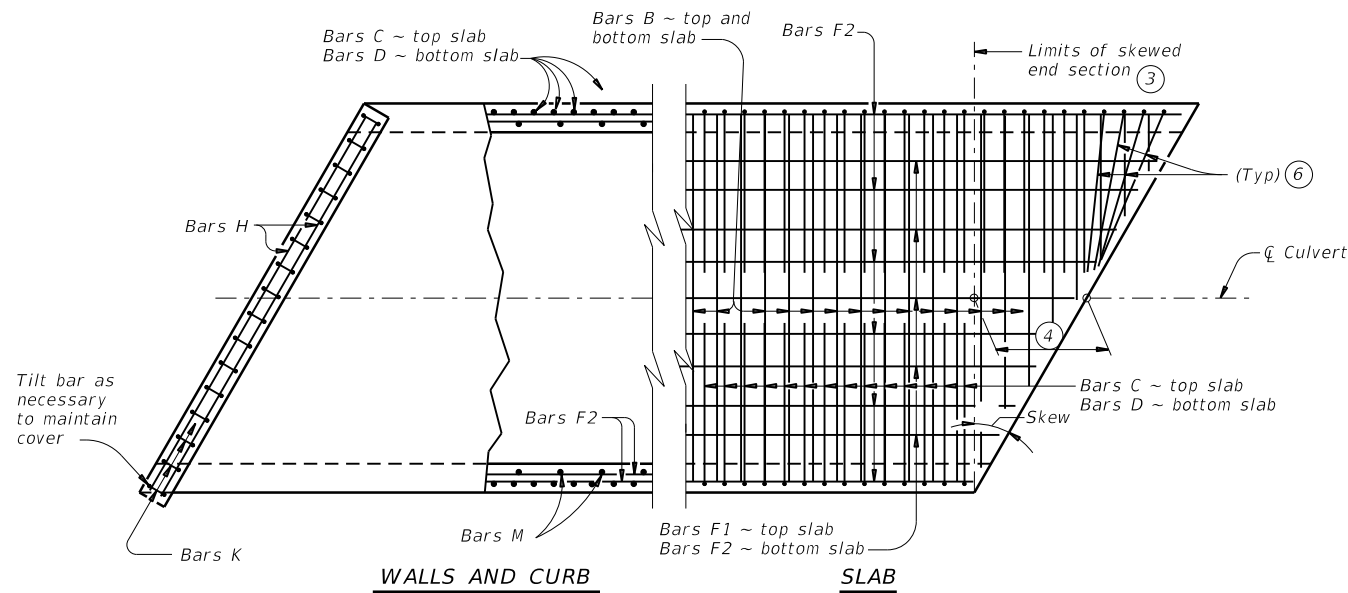
DATE: FILE:



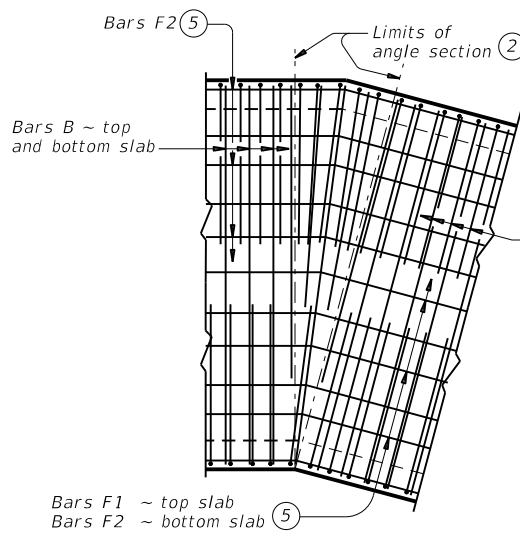
PLAN OF SKEWED ENDS ~ FROM 0° TO 15°



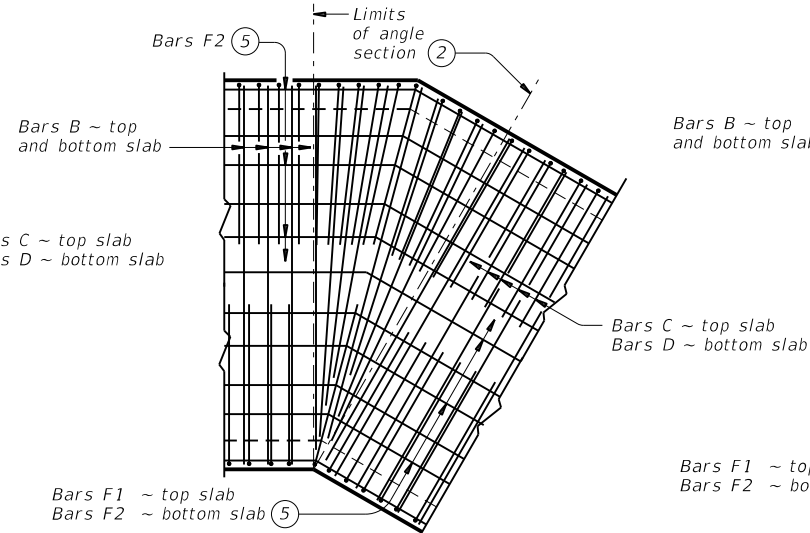
PLAN OF SKEWED ENDS ~ OVER 30° TO 45°



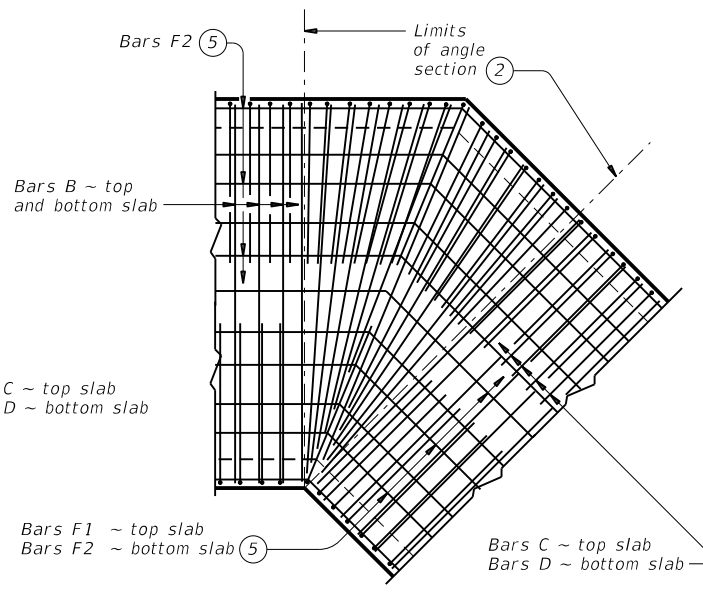
PLAN OF SKEWED ENDS ~ OVER 15° TO 30°



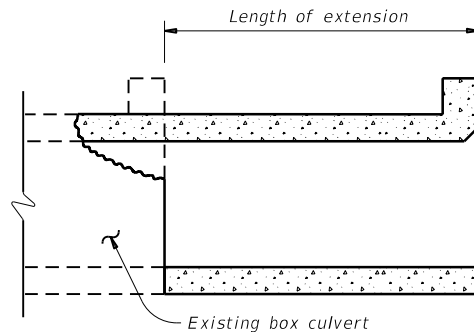
PLAN OF ANGLE SECTION ~ FROM 0° TO 15°



PLAN OF ANGLE SECTION ~ OVER 15° TO 30°



PLAN OF ANGLE SECTION ~ OVER 30° TO 45°



LENGTHENING DETAIL

1 For skewed box culverts with less than 2'-0" of fill, break back the top slab to provide a 1'-10" minimum lap of the existing longitudinal bars with the longitudinal bars in the extension.  
 For non-skewed box culverts with less than 2'-0" of fill and for skewed or non-skewed culverts with a fill depth of 2'-0" or greater, break back the top slab to provide a 1'-10" minimum lap of the existing longitudinal bars with the longitudinal bars in the extension. Alternatively, if the box is non-skewed, embed #6 anchor bars with a Type III, C, D, E, or F anchor adhesive into the existing walls, top and bottom slab at 1'-6" center-to-center spacing. Minimum embedment depth is 8". Anchor adhesive chosen must be able to achieve a basic bond strength in tension, Nba, of 26.4 kips. Submit signed and sealed calculations or the manufacturer's published literature showing the proposed anchor adhesive's ability to develop this load to the Engineer for approval prior to use. Anchor installation, including hole size, drilling, and clean out, must be in accordance with Item 450, "Railing." Test adhesive anchors in accordance with Item 450.3.3, "Tests." Test 3 anchors per 100 anchors installed.  
 Break back wings and apron as necessary to install the extension. Clean and extend the exposed wingwall and apron reinforcing into the extension. When lengthening existing box culverts with dimensions different than current standard dimensions, form horizontal and vertical transitions as directed by the Engineer. Match bottom slabs to maintain an uninterrupted flow line. Field bend existing and new reinforcing into transitions and maintain specified cover requirements. For top slabs of culverts with overlay, with 1-to-2 course surface treatment, or with the top slab as the final riding surface, adjust the "H" dimension to provide a smooth riding surface.

- 2 When the spacing between Bars B becomes less than half of the normal spacing, cut bars to avoid conflict.
- 3 The length of Bars B vary in the skewed end sections.
- 4  $[One\ half\ of\ overall\ width] \times [tangent\ of\ the\ skew\ angle]$
- 5 Place Bars F1 and F2 continuously through the angle section. Bend Bars F1 and F2 to remain parallel to the walls of the box culvert.
- 6 When necessary to avoid conflict in acute corners, shorten the slab extension leg of Bars C and Bars D to a minimum of 1'-6" for skews of 30° thru 45°.
- 7 At the Contractor's option, for skews of 15° or less, place Bars B, C, and D parallel to the skewed end while maintaining spacing along centerline of box. Increase lengths of Bars B shown on the Single Box Culverts Cast-In-Place (SCC) standards sheets to accommodate the skew.

**CONSTRUCTION NOTES:**  
 Do not use permanent forms.  
 When required, lap Bars H 1'-8" for uncoated or galvanized bars.  
 Provide a minimum of 1 1/2" clear cover.

**MATERIAL NOTES:**  
 Provide Grade 60 reinforcing steel.  
 Provide galvanized reinforcing steel, if required elsewhere in the plans.  
 Provide Class C concrete (f'c = 3,600 psi) with these exceptions:  
 provide Class S concrete (f'c = 4,000 psi) for top slabs of culverts with overlay, with 1-to-2 course surface treatment, or with the top slab as the final riding surface.

**GENERAL NOTES:**  
 Designed according to AASHTO LRFD Bridge Design Specifications.  
 Refer to Single Box Culverts Cast-in-Place (SCC) standard sheets for details of straight sections of culvert.  
 For skewed sections and angle sections, refer to Single Box Culverts Cast-in-Place (SCC) standard sheets for slab and wall dimensions, bar sizes, maximum bar spacing, and any other details not shown.  
 For skewed ends with curbs, adjust length of Bars H, number of Bars K, curb concrete volume, and reinforcing steel weight by dividing the values shown on the culvert Single Box Culverts Cast-In-Place (SCC) standard sheets by the cosine of the skew angle.

Cover dimensions are clear dimensions, unless noted otherwise.

HL93 LOADING

		<b>Bridge Division Standard</b>	
<b>SINGLE BOX CULVERTS          CAST-IN-PLACE          MISCELLANEOUS DETAILS</b>			
<b>SCC-MD</b>			
FILE: sccmdste-20.dgn	DN: TxDOT	CK: TxDOT	DW: TxDOT
©TxDOT February 2020	CONT	SECT	JOB
REVISIONS			HIGHWAY
	DIST	COUNTY	SHEET NO.