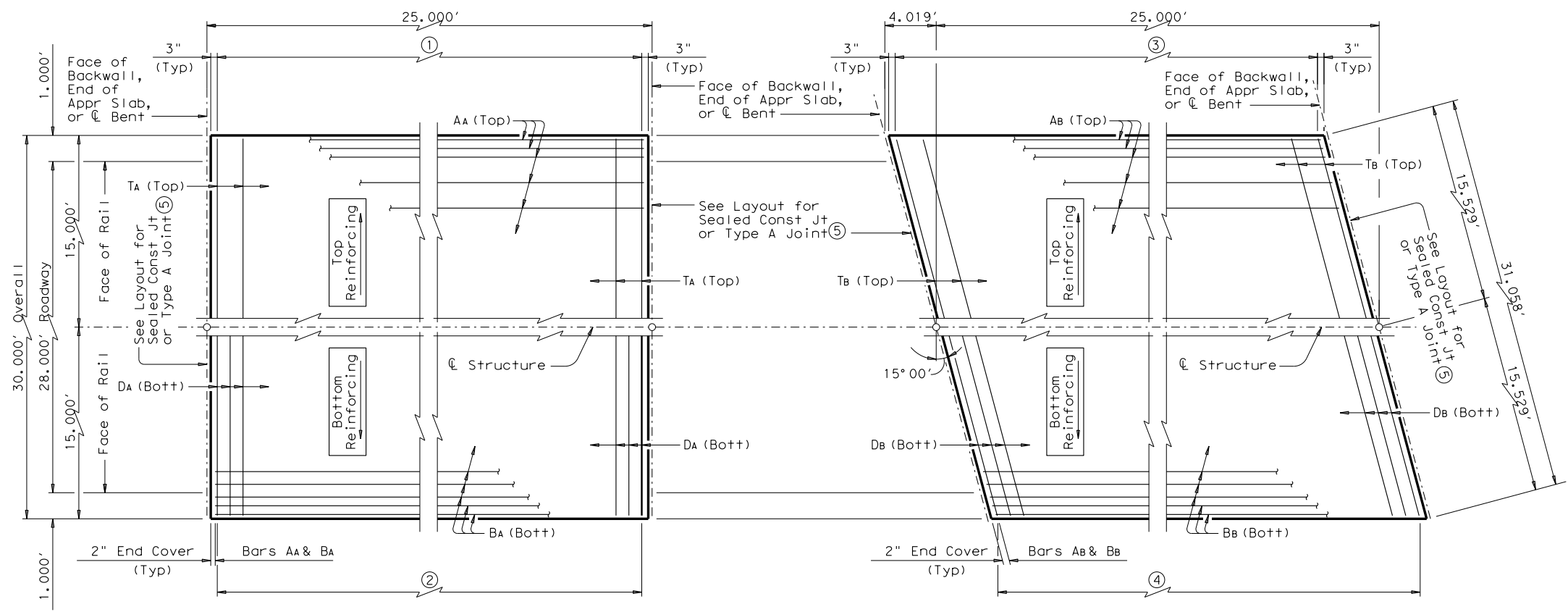


DISCLAIMER: The use of this standard is governed by the "Texas Engineering Practice Act". No warranty of any kind is made by TxDOT for any purpose whatsoever. TxDOT assumes no responsibility for the conversion of this standard to other formats or for incorrect results or damages resulting from its use.

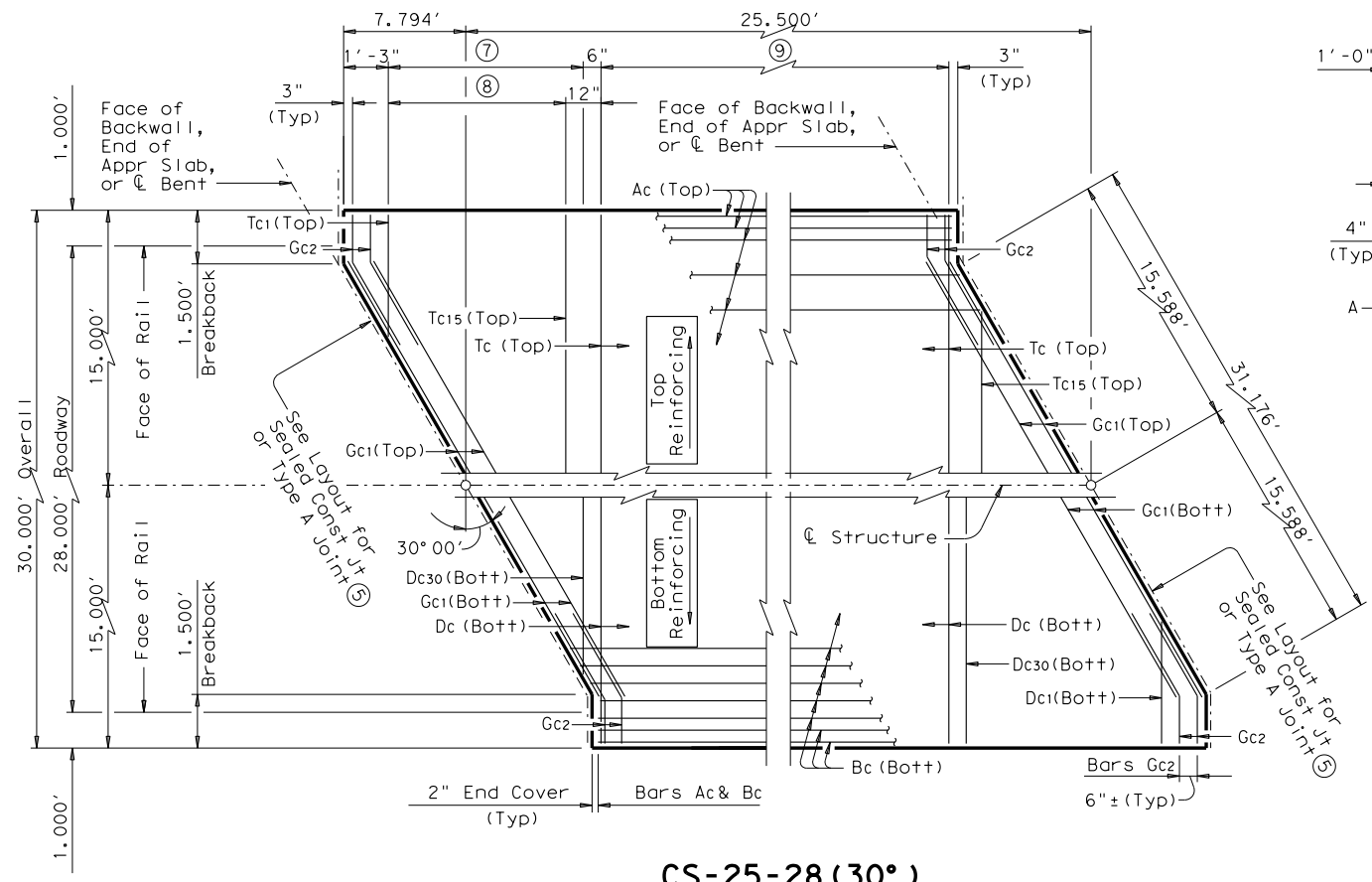


**CS-25-28**

**CS-25-28 (15°)**

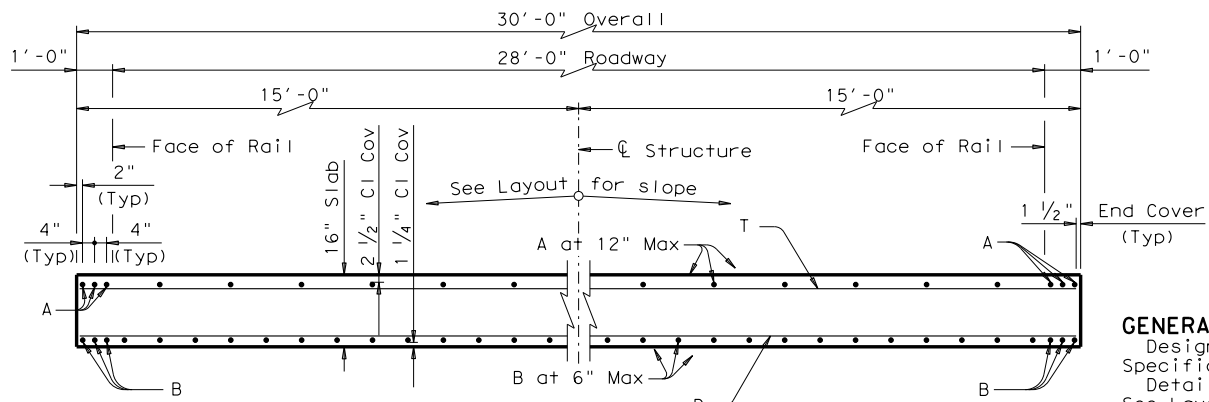
- ① Bars TA (Top) at 12" Max Spacing
- ② Bars DA (Bott) at 6" Max Spacing

- ③ Bars TB (Top) at 12" Max Spacing
- ④ Bars DB (Bott) at 6" Max Spacing

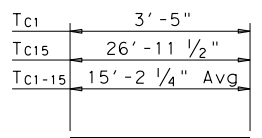
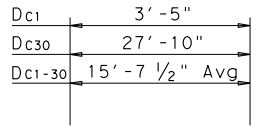


**CS-25-28 (30°)**

- ⑦ Bars Dc 1-30 (Bott) at 6" Max Spacing = 14'-1 1/4"
- ⑧ Bars Tc 1-15 (Top) at 12" Max Spacing = 13'-7 1/4"
- ⑨ Bars Tc (Top) at 12" Max Spacing
- Bars Dc (Bott) at 6" Max Spacing



**TYPICAL TRANSVERSE SECTION**



**BARS Gc2**

**BARS Tc**

**TABLE OF ESTIMATED QUANTITIES ⑤ CS-25-28**

Bar	No.	Size	Length	Weight
AA	34	# 4	24' - 8"	560
BA	62	# 8	24' - 8"	4,083
DA	50	# 4	29' - 9"	994
TA	26	# 4	29' - 9"	517

Reinforcing Steel	Lb	6,154
Class "S" Concrete ⑥	CY	37.0

**TABLE OF ESTIMATED QUANTITIES ⑤ CS-25-28 (15°)**

Bar	No.	Size	Length	Weight
AB	34	# 4	24' - 8"	560
Bb	62	# 8	24' - 8"	4,083
DB	50	# 4	30' - 10"	1,030
Tb	26	# 4	30' - 10"	536

Reinforcing Steel	Lb	6,209
Class "S" Concrete ⑥	CY	37.1

**TABLE OF ESTIMATED QUANTITIES ⑤ CS-25-28 (30°)**

Bar	No.	Size	Length	Weight
Ac	34	# 4	25' - 2"	572
Bc	62	# 9	25' - 2"	5,305
Dc	21	# 4	29' - 9"	417
Dc1-30	60	# 4	15' - 8"AV	628
Gc1	8	# 5	31' - 2"	260
Gc2	16	# 5	4' - 0"	67
Tc	11	# 4	29' - 9"	219
Tc1-15	30	# 4	15' - 2"AV	304

Reinforcing Steel	Lb	7,772
Class "S" Concrete ⑥	CY	37.9

**GENERAL NOTES:**  
 Designed according to AASHTO LRFD Specifications.  
 Details shown are for right forward skew. See Layout for actual skew direction. See standard CS-MD for additional slab span details and quantity adjustments. All reinforcing shall be Grade 60. Concrete strength f'c = 4,000 psi. This standard does not support the use of Transition Bents.

HL93 LOADING

		<b>Bridge Division Standard</b>	
<b>25' C-I-P CONCRETE SLAB SPANS</b>			
<b>28 FT ROADWAY 0°-30° SKEW</b>			
<b>CS-25-28</b>			
FILE: scs02ste.dgn	DN: TxDOT	CK: TxDOT	DW: TxDOT
©TxDOT March 2009	CONT	SECT	JOB
REVISIONS			HIGHWAY
	DIST	COUNTY	SHEET NO.

DATE: FILE: