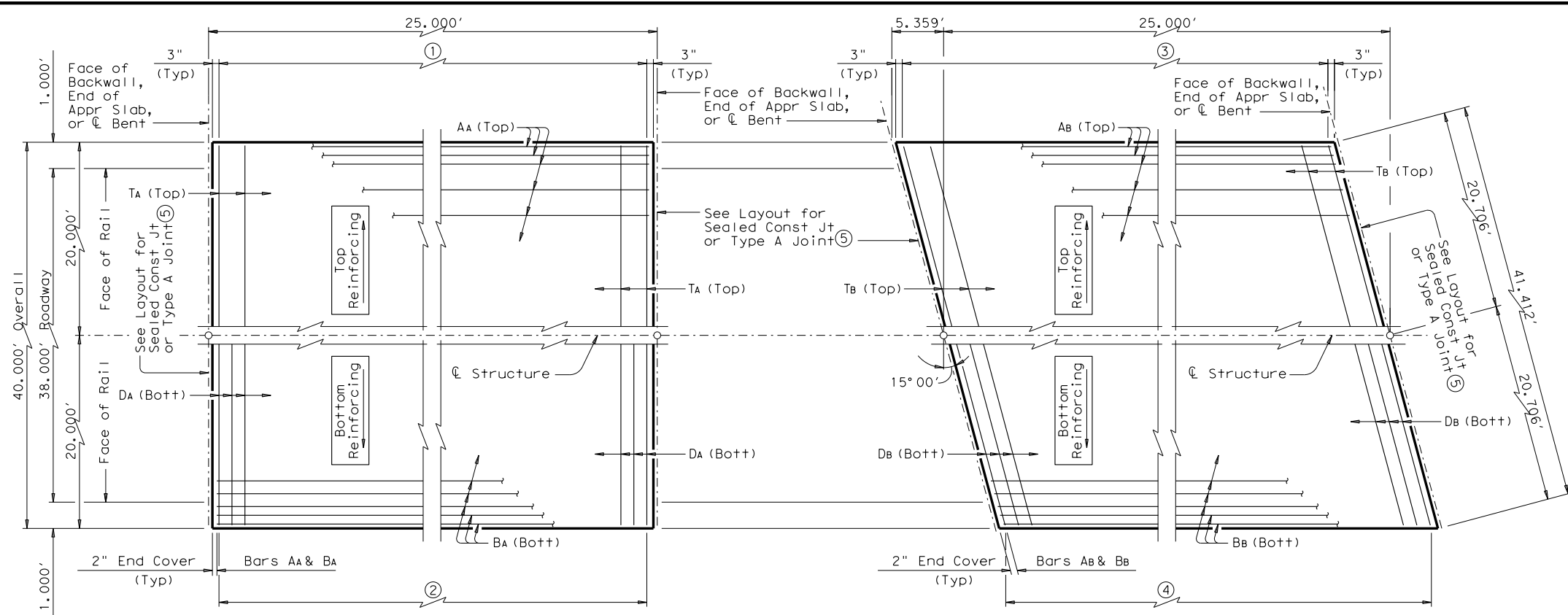


DISCLAIMER: The use of this standard is governed by the "Texas Engineering Practice Act". No warranty of any kind is made by TxDOT for any purpose whatsoever. TxDOT assumes no responsibility for the conversion of this standard to other formats or for incorrect results or damages resulting from its use.

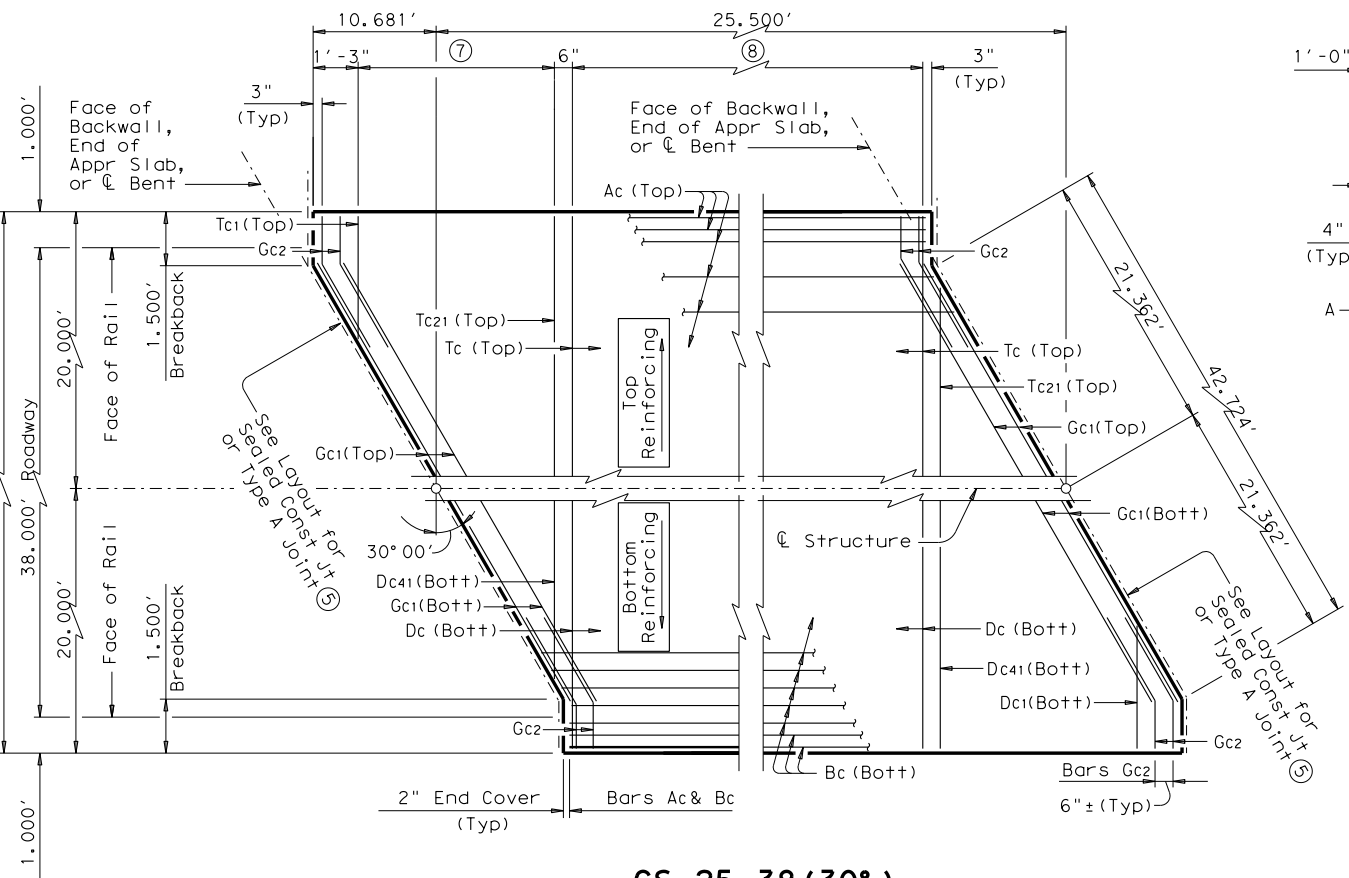


- ① Bars TA (Top) at 12" Max Spacing
- ② Bars DA (Bott) at 6" Max Spacing

**CS-25-38**

- ③ Bars TB (Top) at 12" Max Spacing
- ④ Bars DB (Bott) at 6" Max Spacing

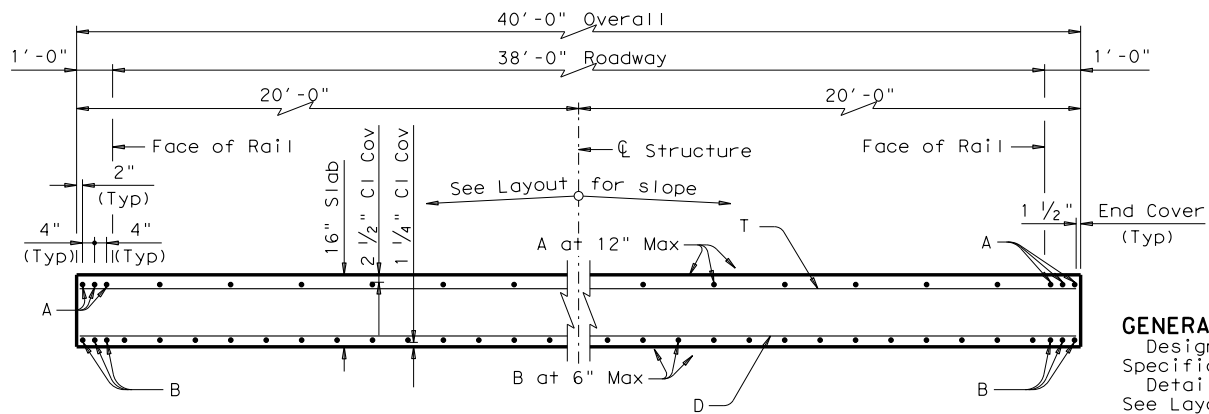
**CS-25-38 (15°)**



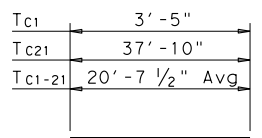
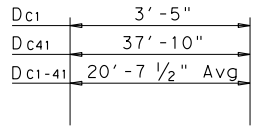
- ⑦ Bars Tc 1-21 (Top) at 12" Max Spacing = 19'-10 1/2"
- Bars Dc 1-41 (Bott) at 6" Max Spacing = 19'-10 1/2"

**CS-25-38 (30°)**

- ⑧ Bars Tc (Top) at 12" Max Spacing
- Bars Dc (Bott) at 6" Max Spacing



**TYPICAL TRANSVERSE SECTION**



**GENERAL NOTES:**  
 Designed according to AASHTO LRFD Specifications.  
 Details shown are for right forward skew. See Layout for actual skew direction. See standard CS-MD for additional slab span details and quantity adjustments. All reinforcing shall be Grade 60. Concrete strength f'c = 4,000 psi. This standard does not support the use of Transition Bents.

**TABLE OF ESTIMATED QUANTITIES ⑤ CS-25-38**

Bar	No.	Size	Length	Weight
AA	44	# 4	24'- 8"	725
BA	82	# 8	24'- 8"	5,401
DA	50	# 4	39'- 9"	1,328
TA	26	# 4	39'- 9"	690
Reinforcing Steel Lb				8,144
Class "S" Concrete ⑥ CY				49.4

**TABLE OF ESTIMATED QUANTITIES ⑤ CS-25-38 (15°)**

Bar	No.	Size	Length	Weight
AB	44	# 4	24'- 8"	725
Bb	82	# 8	24'- 8"	5,401
Db	50	# 4	41'- 2"	1,375
Tb	26	# 4	41'- 2"	715
Reinforcing Steel Lb				8,216
Class "S" Concrete ⑥ CY				49.5

**TABLE OF ESTIMATED QUANTITIES ⑤ CS-25-38 (30°)**

Bar	No.	Size	Length	Weight
Ac	44	# 4	25'- 2"	740
Bc	82	# 9	25'- 2"	7,016
Dc	9	# 4	39'- 9"	239
Dc1-41	82	# 4	20'- 8"AV	1,132
Gc1	8	# 5	42'- 9"	357
Gc2	16	# 5	4'- 0"	67
Tc	5	# 4	39'- 9"	133
Tc1-21	42	# 4	20'- 8"AV	580
Reinforcing Steel Lb				10,264
Class "S" Concrete ⑥ CY				50.5

HL93 LOADING

Texas Department of Transportation  
 Bridge Division Standard  
**25' C-I-P CONCRETE SLAB SPANS**  
 38 FT ROADWAY 0°-30° SKEW  
**CS-25-38**

FILE: scs04ste.dgn	DN: TxDOT	CK: TxDOT	DW: TxDOT	CK: TxDOT
©TxDOT March 2009	CONT	SECT	JOB	HIGHWAY
REVISIONS	DIST	COUNTY	SHEET NO.	

DATE: FILE: