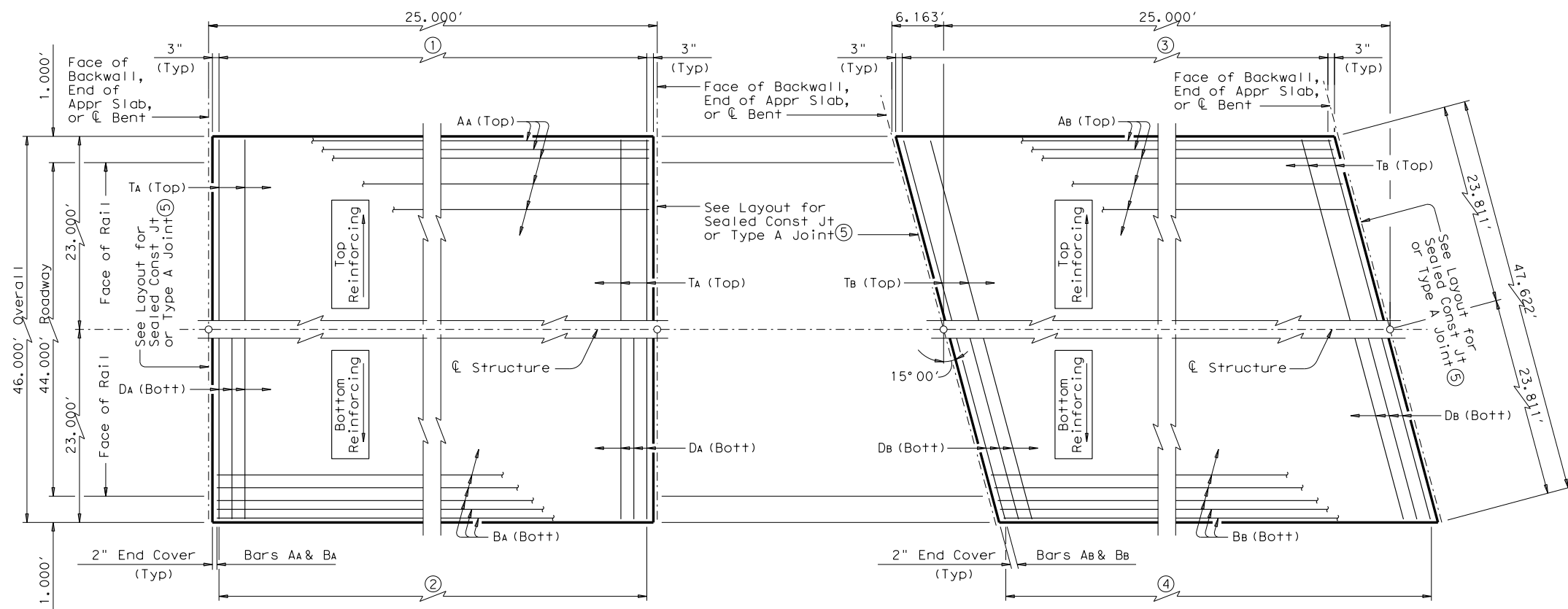


DISCLAIMER: The use of this standard is governed by the "Texas Engineering Practice Act". No warranty of any kind is made by TxDOT for any purpose whatsoever. TxDOT assumes no responsibility for the conversion of this standard to other formats or for incorrect results or damages resulting from its use.

DATE: FILE:

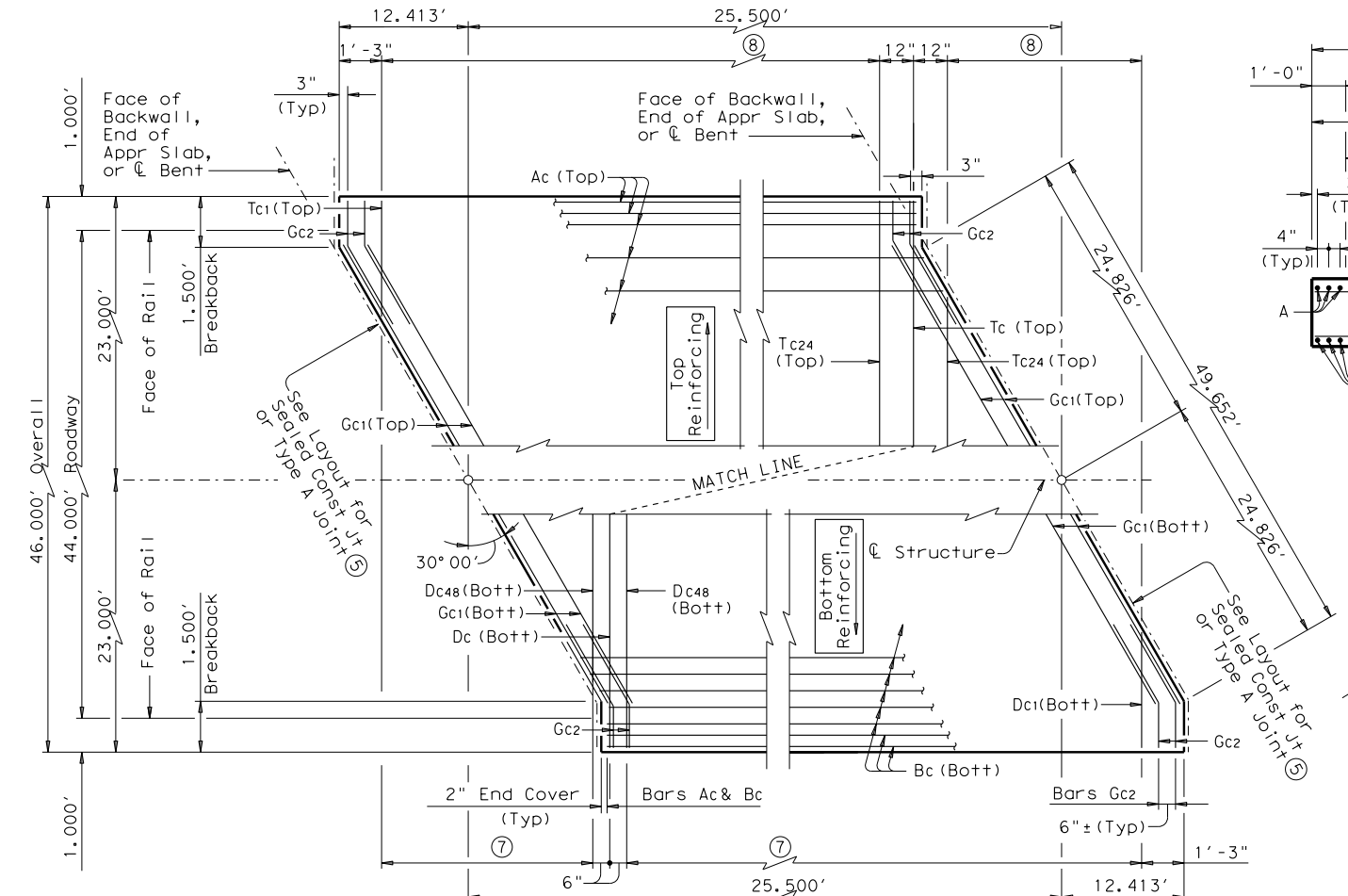


CS-25-44

CS-25-44 (15°)

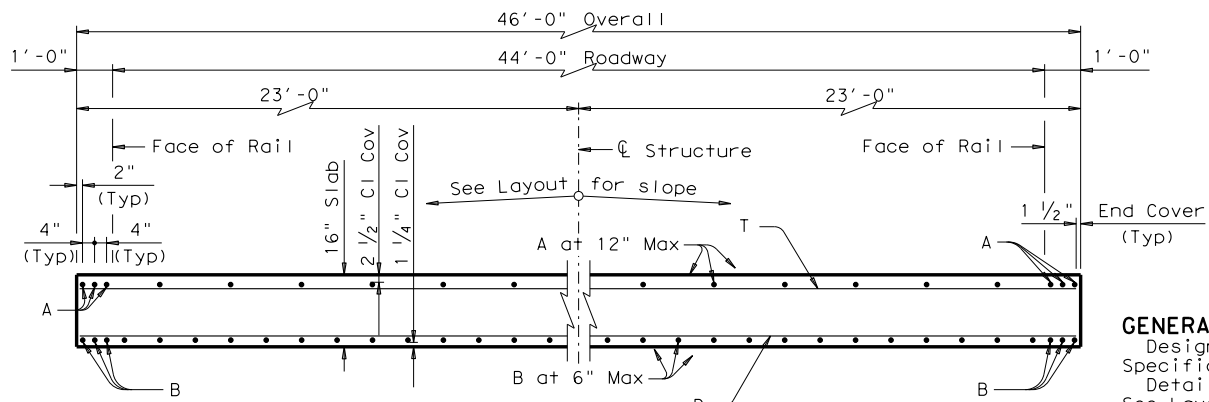
- ① Bars TA (Top) at 12" Max Spacing
- ② Bars DA (Bott) at 6" Max Spacing

- ③ Bars TB (Top) at 12" Max Spacing
- ④ Bars DB (Bott) at 6" Max Spacing



CS-25-44 (30°)

- ⑦ Bars Dc 1-48 (Bott) at 6" Max Spacing = 23' - 4"
- ⑧ Bars Tc 1-24 (Top) at 12" Max Spacing = 22' - 10"



TYPICAL TRANSVERSE SECTION

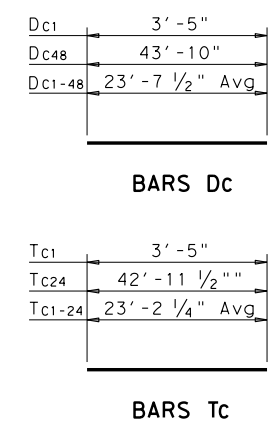


TABLE OF ESTIMATED QUANTITIES ⑤ CS-25-44

Bar	No.	Size	Length	Weight
AA	50	# 4	24' - 8"	824
BA	94	# 8	24' - 8"	6,191
DA	50	# 4	45' - 9"	1,528
TA	26	# 4	45' - 9"	795
Reinforcing Steel Lb				9,338
Class "S" Concrete ⑥ CY				56.8

TABLE OF ESTIMATED QUANTITIES ⑤ CS-25-44 (15°)

Bar	No.	Size	Length	Weight
AB	50	# 4	24' - 8"	824
BB	94	# 8	24' - 8"	6,191
DB	50	# 4	47' - 5"	1,584
TB	26	# 4	47' - 5"	824
Reinforcing Steel Lb				9,423
Class "S" Concrete ⑥ CY				56.9

TABLE OF ESTIMATED QUANTITIES ⑤ CS-25-44 (30°)

Bar	No.	Size	Length	Weight
Ac	50	# 4	25' - 2"	841
Bc	94	# 9	25' - 2"	8,043
Dc	1	# 4	45' - 9"	31
Dc1-48	96	# 4	23' - 8"AV	1,518
Gc1	8	# 5	49' - 8"	414
Gc2	16	# 5	4' - 0"	67
Tc	1	# 4	45' - 9"	31
Tc1-24	48	# 4	23' - 2"AV	743
Reinforcing Steel Lb				11,688
Class "S" Concrete ⑥ CY				58.0

- ⑤ See standard CS-MD for Fixed or Expansion Joint Details.
- ⑥ Provide Class S (HPC) if shown elsewhere in the plans.

GENERAL NOTES:
 Designed according to AASHTO LRFD Specifications.
 Details shown are for right forward skew.
 See Layout for actual skew direction.
 See standard CS-MD for additional slab span details and quantity adjustments.
 All reinforcing shall be Grade 60.
 Concrete strength f'c = 4,000 psi.
 This standard does not support the use of Transition Bents.

HL93 LOADING

Texas Department of Transportation

25' C-I-P CONCRETE SLAB SPANS

44 FT ROADWAY 0°-30° SKEW

CS-25-44

Bridge Division Standard

FILE: scs05ste.dgn	DN: TxDOT	CK: TxDOT	DW: TxDOT	CK: TxDOT
©TxDOT March 2009	CONT	SECT	JOB	HIGHWAY
REVISIONS				
	DIST	COUNTY	SHEET NO.	