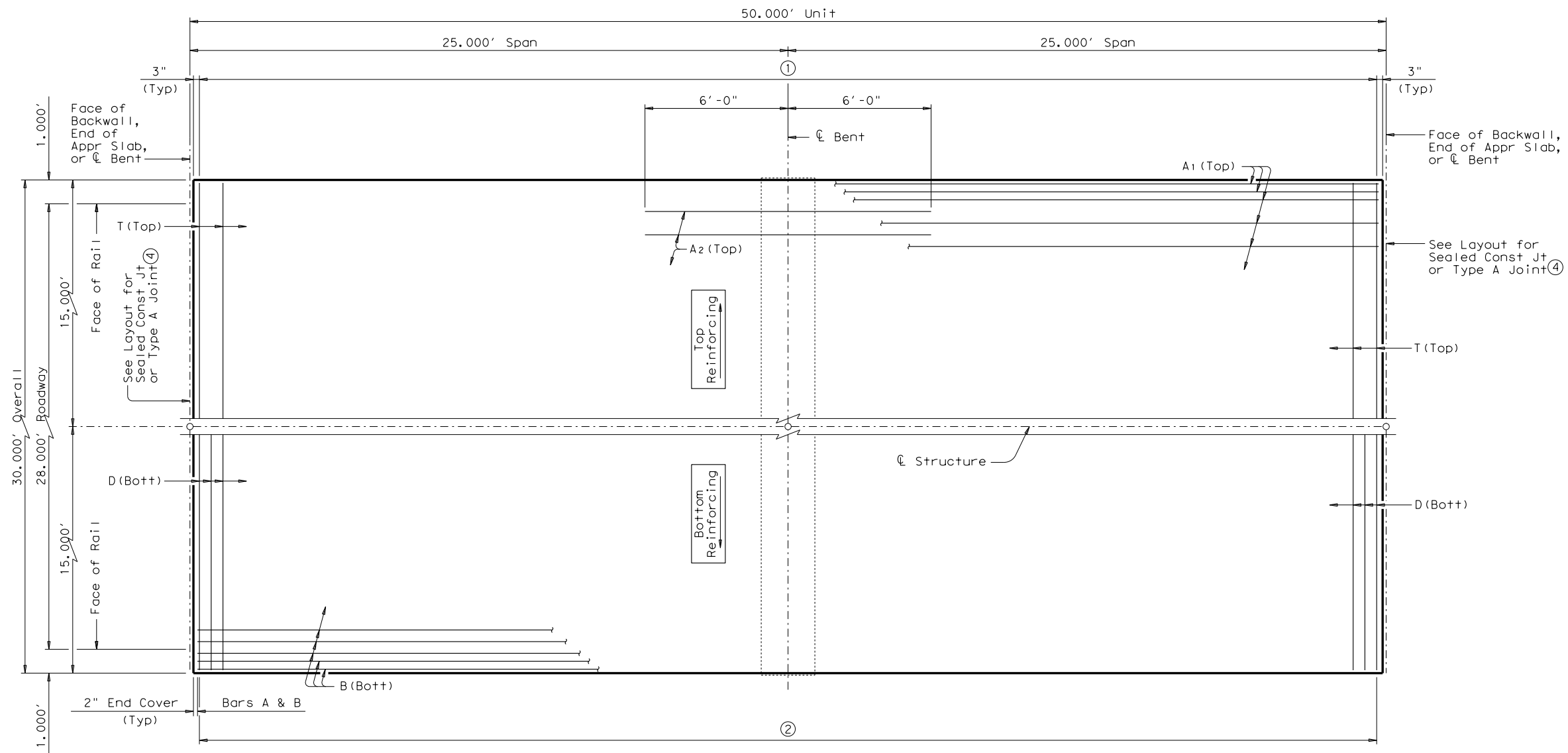


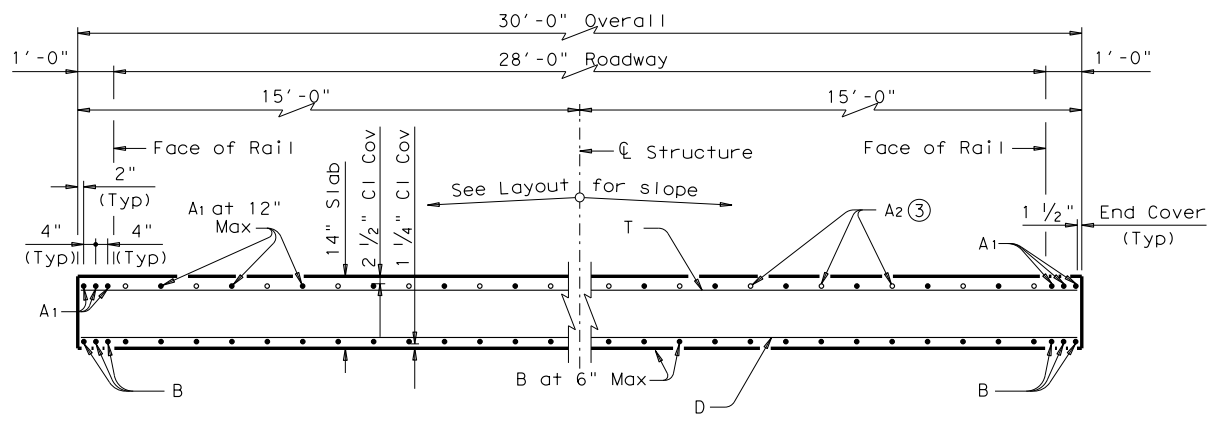
DISCLAIMER: The use of this standard is governed by the "Texas Engineering Practice Act". No warranty of any kind is made by TxDOT for any purpose whatsoever. TxDOT assumes no responsibility for the conversion of this standard to other formats or for incorrect results or damages resulting from its use.

DATE:
FILE:



- ① Bars T (Top) at 12" Max Spacing
- ② Bars D (Bott) at 6" Max Spacing

PLAN



- ③ Place Bars A2 between Bars A1 over Bent (See PLAN for Placement)

TYPICAL TRANSVERSE SECTION

TABLE OF ESTIMATED QUANTITIES CS-50-28

Bar	No.	Size	Length	Weight
A1	34	# 8	49'- 8"	4,509
A2	29	# 8	12'- 0"	929
B	62	# 8	49'- 8"	8,222
D	100	# 4	29'- 9"	1,987
T	51	# 4	29'- 9"	1,014

Reinforcing Steel	Lb	16,661
Class "S" Concrete ⑤	CY	64.8

- ④ See standard CS-MD for Fixed or Expansion Joint Details.
- ⑤ Provide Class S(HPC) if shown elsewhere in the plans.

GENERAL NOTES:
 Designed according to AASHTO LRFD Specifications.
 See standard CS-MD for additional slab span details.
 All reinforcing shall be Grade 60.
 Bar laps not permitted for Bars A and B.
 Concrete strength $f'_c = 4,000$ psi.
 This standard does not support the use of Transition Bents.

HL93 LOADING

Texas Department of Transportation
 Bridge Division Standard

50' C-I-P CONTINUOUS SLAB UNIT (25'-25') 28 FT ROADWAY

CS-50-28

FILE: scs09ste.dgn	DN: TxDOT	CK: TxDOT	DW: TxDOT	CK: TxDOT
©TxDOT March 2009	CONT	SECT	JOB	HIGHWAY
REVISIONS				
DIST	COUNTY			SHEET NO.