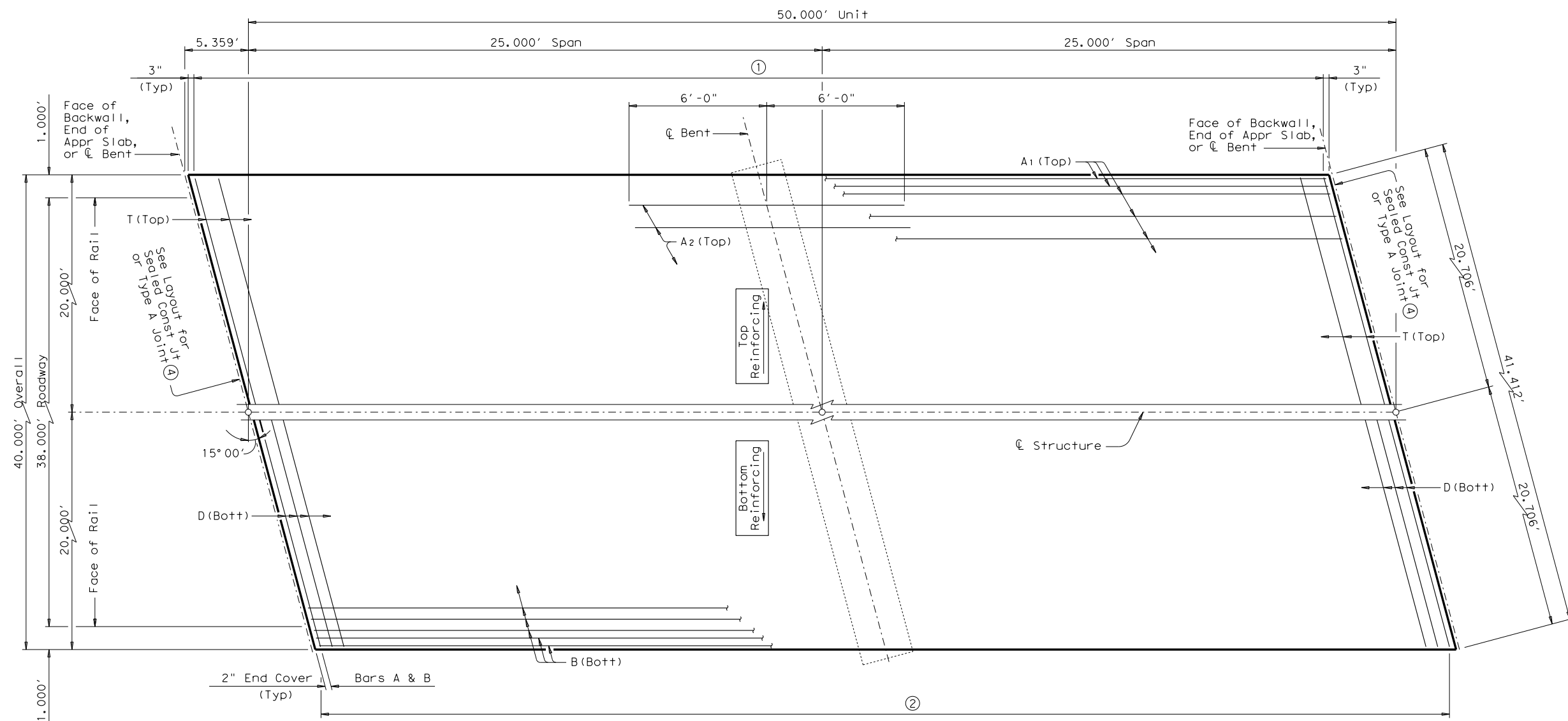


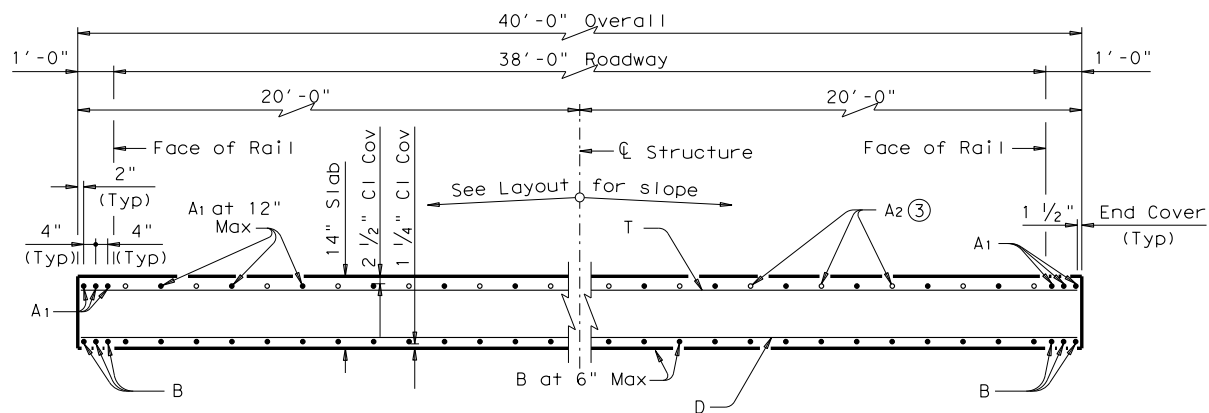
DISCLAIMER: The use of this standard is governed by the "Texas Engineering Practice Act". No warranty of any kind is made by TxDOT for any purpose whatsoever. TxDOT assumes no responsibility for the conversion of this standard to other formats or for incorrect results or damages resulting from its use.

DATE:
FILE:



- ① Bars T (Top) at 12" Max Spacing
- ② Bars D (Bott) at 6" Max Spacing

PLAN



TYPICAL TRANSVERSE SECTION

- ③ Place Bars A2 between Bars A1 over Bent (See PLAN for Placement)

TABLE OF ESTIMATED QUANTITIES CS-50-38 (15°)

Bar	No.	Size	Length	Weight
A1	44	# 8	49'- 8"	5,835
A2	39	# 8	12'- 0"	1,250
B	82	# 8	49'- 8"	10,874
D	100	# 4	41'- 2"	2,750
T	51	# 4	41'- 2"	1,402

Reinforcing Steel	Lb	22,111
Class "S" Concrete ⑤	CY	86.6

- ④ See standard CS-MD for Fixed or Expansion Joint Details.
- ⑤ Provide Class S(HPC) if shown elsewhere in the plans.

GENERAL NOTES:
 Designed according to AASHTO LRFD Specifications.
 Details shown are for right forward skew. See Layout for actual skew direction.
 See standard CS-MD for additional slab span details.
 All reinforcing shall be Grade 60.
 Bar laps not permitted for Bars A and B.
 Concrete strength $f'_c = 4,000$ psi.
 This standard does not support the use of Transition Bents.

HL93 LOADING

		Bridge Division Standard	
50' C-I-P CONTINUOUS SLAB UNIT (25'-25') 38 FT ROADWAY 15° SKEW CS-50-38-15			
FILE: scs16ste.dgn	DN: TxDOT	CK: TxDOT	DW: TxDOT
©TxDOT March 2009	CONT	SECT	JOB
REVISIONS		HIGHWAY	
DIST		COUNTY	SHEET NO.