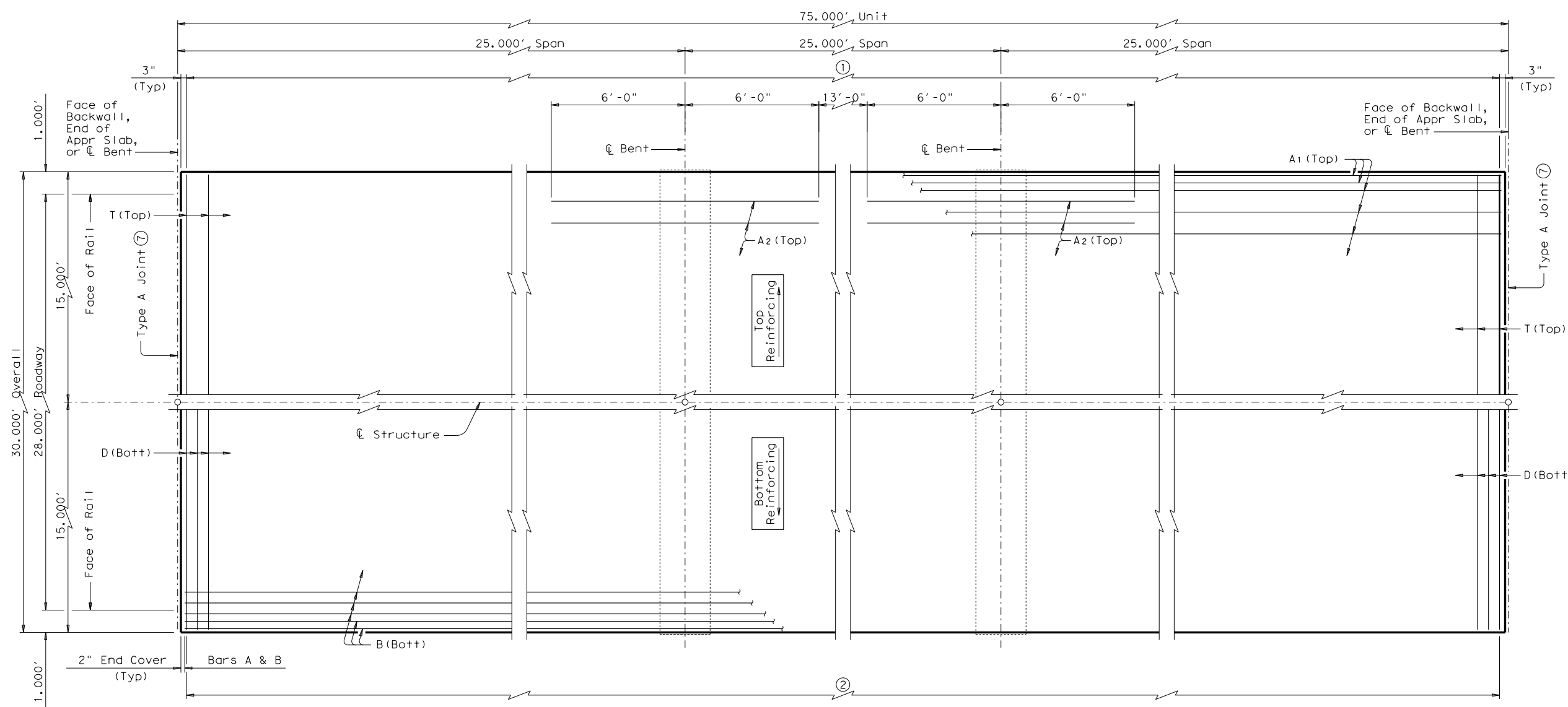


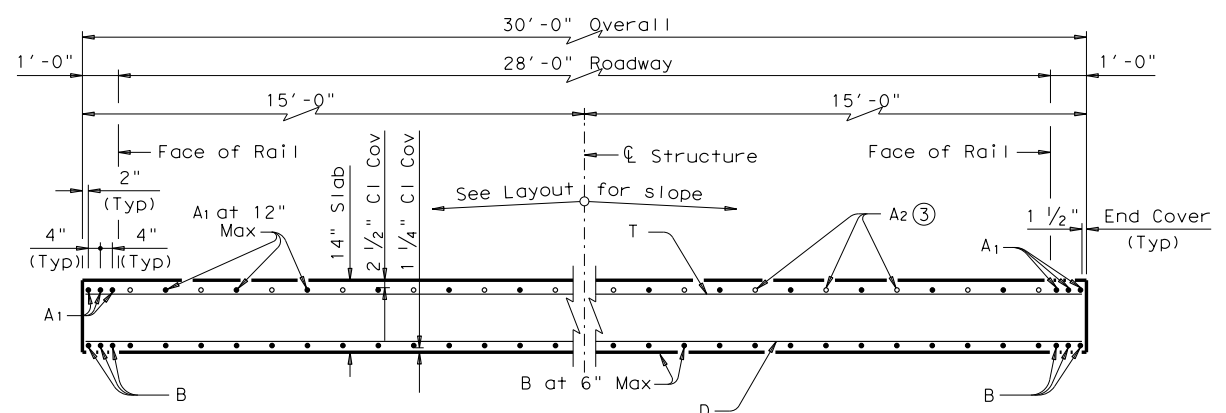
DISCLAIMER: The use of this standard is governed by the "Texas Engineering Practice Act". No warranty of any kind is made by TxDOT for any purpose whatsoever. TxDOT assumes no responsibility for the conversion of this standard to other formats or for incorrect results or damages resulting from its use.

DATE: FILE:



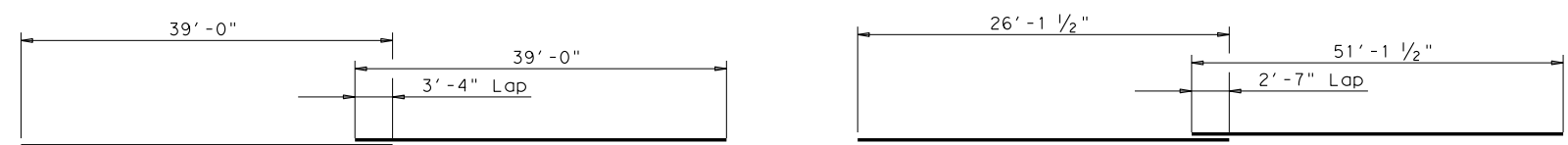
- ① Bars T (Top) at 12" Max Spacing
- ② Bars D (Bott) at 6" Max Spacing

**PLAN**



**TYPICAL TRANSVERSE SECTION**

- ③ Place Bars A2 between Bars A1 over Bent (See PLAN for Placement)



**BARS A1**

**BARS B (4)**

- ④ Alternate Splices over Supports

**TABLE OF ESTIMATED QUANTITIES CS-75-28**

| Bar    | No. | Size | Length  | Weight |
|--------|-----|------|---------|--------|
| A1 (5) | 34  | # 8  | 78'- 0" | 7,081  |
| A2     | 58  | # 8  | 12'- 0" | 1,858  |
| B (6)  | 62  | # 8  | 77'- 3" | 12,788 |
| D      | 150 | # 4  | 29'- 9" | 2,981  |
| T      | 76  | # 4  | 29'- 9" | 1,510  |

| Reinforcing Steel      | Lb | 26,218 |
|------------------------|----|--------|
| Class "S" Concrete (8) | CY | 97.2   |

- ⑤ Length shown includes one 3'-4" lap splice.
- ⑥ Length shown includes one 2'-7" lap splice.
- ⑦ See standard CS-MD for Expansion Joint Details.
- ⑧ Provide Class S(HPC) if shown elsewhere in the plans.

**GENERAL NOTES:**

Designed according to AASHTO LRFD Specifications.  
See standard CS-MD for additional slab span details.  
All reinforcing shall be Grade 60.  
Concrete strength  $f'c = 4,000$  psi.  
When epoxy coated reinforcing is used, the lap splice lengths shown shall be increased by a factor of 1.5.  
This standard does not support the use of Transition Bents.

HL93 LOADING



**75' C-I-P CONTINUOUS SLAB UNIT (25'-25'-25') 28 FT ROADWAY**

**CS-75-28**

|                    |           |           |           |           |
|--------------------|-----------|-----------|-----------|-----------|
| FILE: scs24ste.dgn | DN: TxDOT | CK: TxDOT | DW: TxDOT | CK: TxDOT |
| ©TxDOT March 2009  | CONT      | SECT      | JOB       | HIGHWAY   |
| REVISIONS          | DIST      | COUNTY    | SHEET NO. |           |