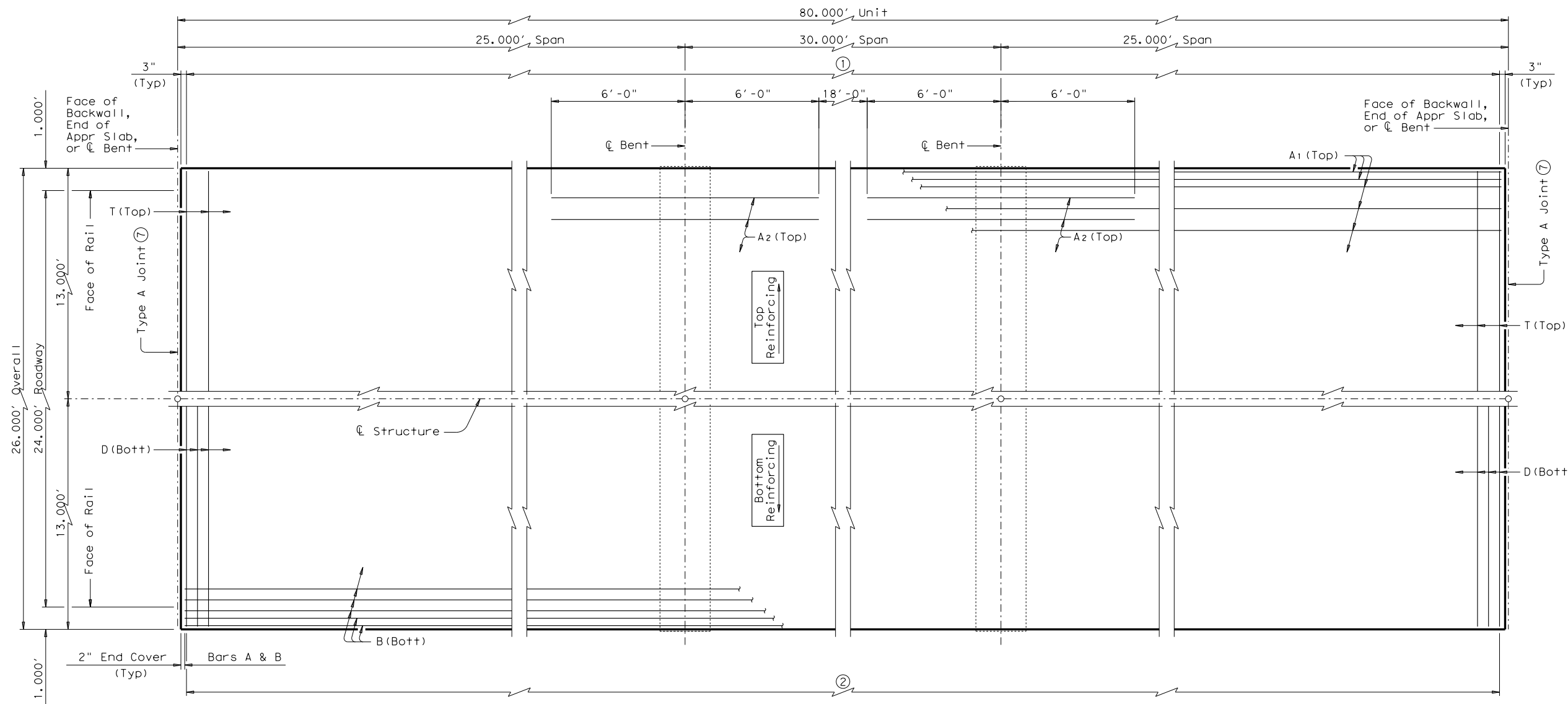
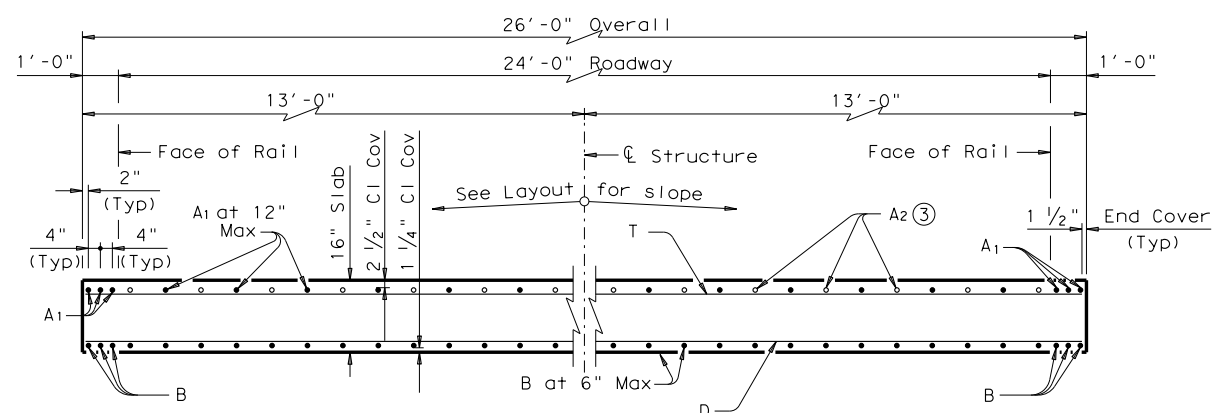


DISCLAIMER: The use of this standard is governed by the "Texas Engineering Practice Act". No warranty of any kind is made by TxDOT for any purpose whatsoever. TxDOT assumes no responsibility for the conversion of this standard to other formats or for incorrect results or damages resulting from its use.



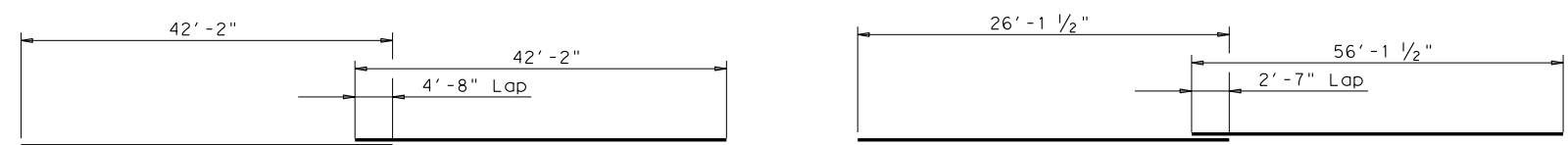
- ① Bars T (Top) at 12" Max Spacing
- ② Bars D (Bott) at 6" Max Spacing

PLAN



TYPICAL TRANSVERSE SECTION

- ③ Place Bars A2 between Bars A1 over Bent (See PLAN for Placement)



BARS A 1

BARS B ④

- ④ Alternate Splices over Supports

TABLE OF ESTIMATED QUANTITIES CS-80-24

Bar	No.	Size	Length	Weight
A1 (5)	30	# 8	84'- 4"	6,755
A2	50	# 8	12'- 0"	1,602
B (6)	54	# 8	82'- 3"	11,859
D	160	# 4	25'- 9"	2,752
T	81	# 4	25'- 9"	1,393

Reinforcing Steel	Lb	24,361
Class "S" Concrete (8)	CY	102.7

- ⑤ Length shown includes one 4'-8" lap splice.
- ⑥ Length shown includes one 2'-7" lap splice.
- ⑦ See standard CS-MD for Expansion Joint Details.
- ⑧ Provide Class S(HPC) if shown elsewhere in the plans.

GENERAL NOTES:

Designed according to AASHTO LRFD Specifications.
See standard CS-MD for additional slab span details.
All reinforcing shall be Grade 60.
Concrete strength $f'_c = 4,000$ psi.
When epoxy coated reinforcing is used, the lap splice lengths shown shall be increased by a factor of 1.5.
This standard does not support the use of Transition Bents.

HL93 LOADING



80' C-I-P CONTINUOUS SLAB UNIT (25'-30'-25') 24 FT ROADWAY

CS-80-24

FILE: scs36ste.dgn	DN: TxDOT	CK: TxDOT	DW: TxDOT	CK: TxDOT
©TxDOT March 2009	CONT	SECT	JOB	HIGHWAY
REVISIONS	DIST	COUNTY	SHEET NO.	

DATE: FILE: